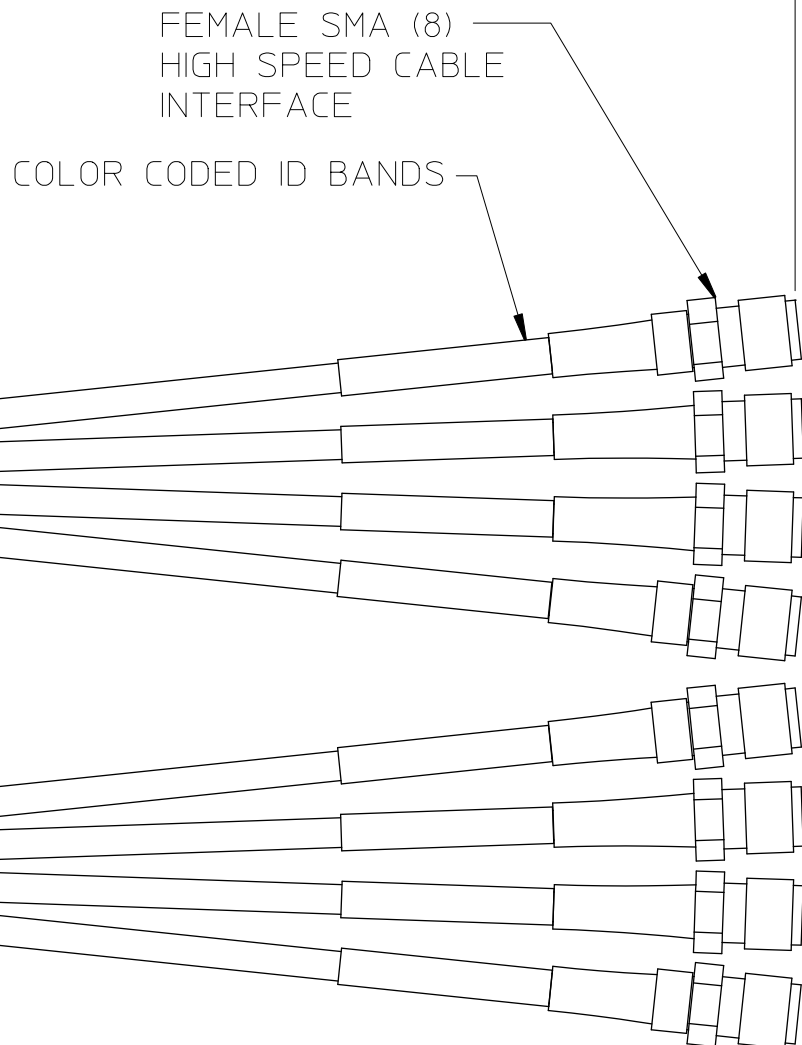
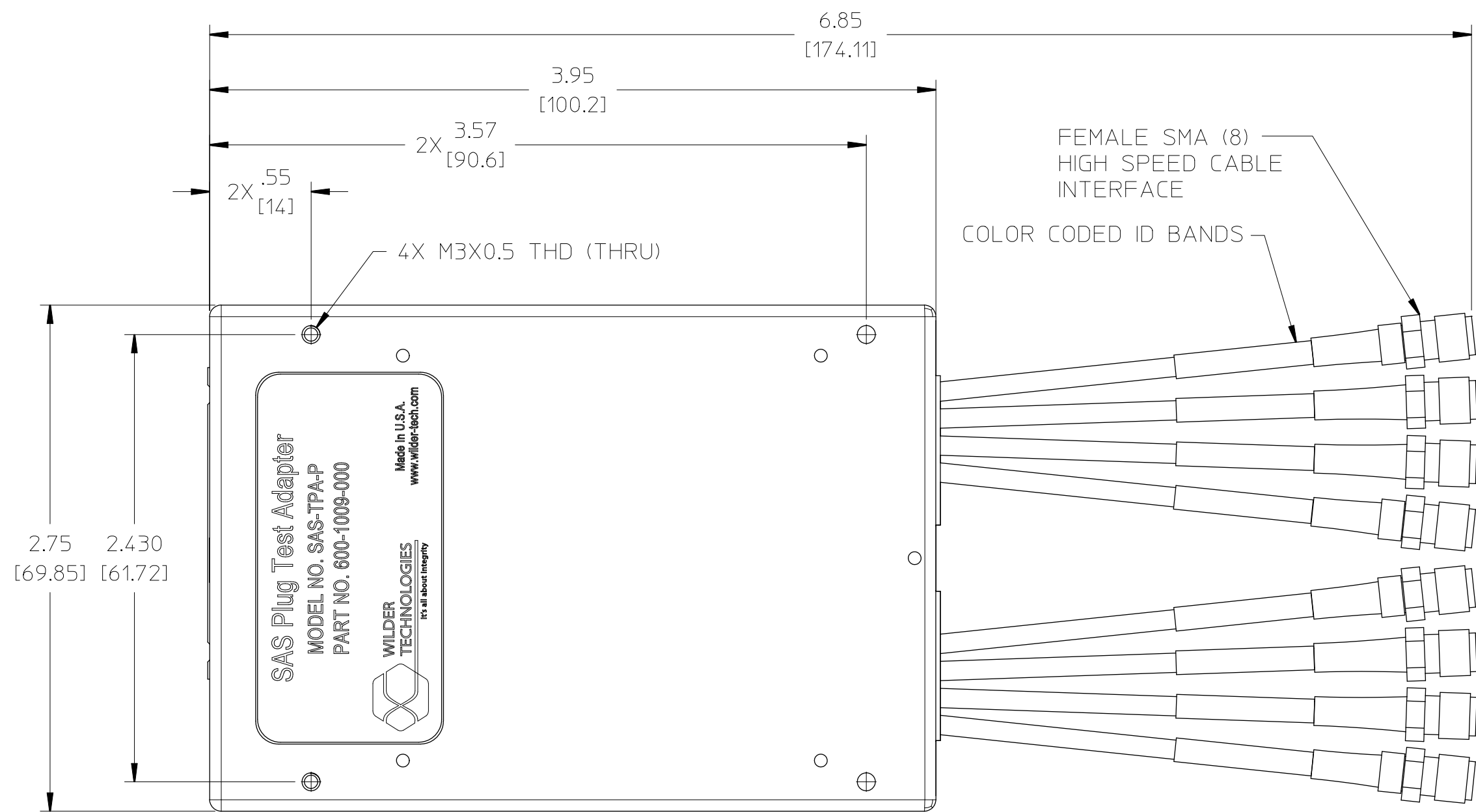


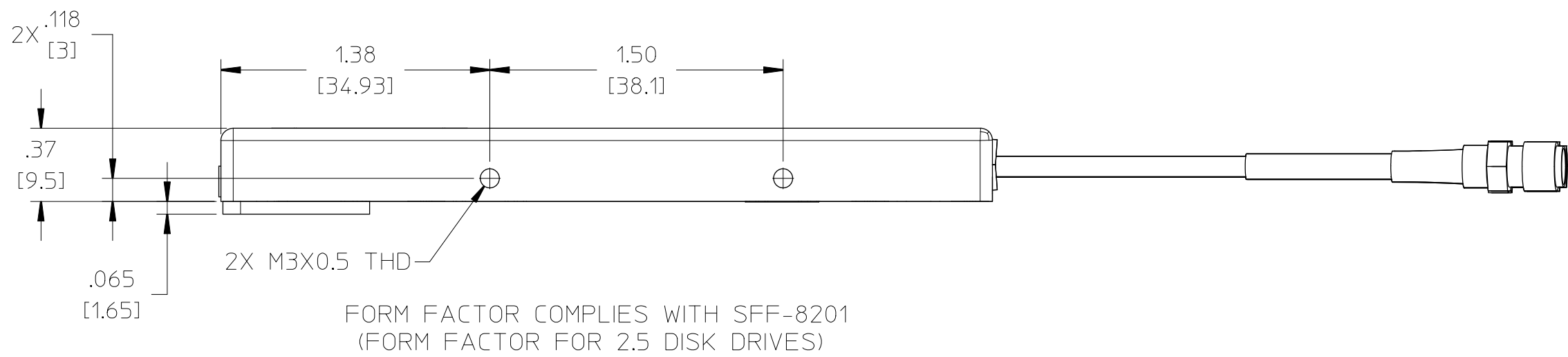
THIS DOCUMENT CONTAINS PROPRIETARY INFORMATION AND IS THE PROPERTY OF WILDER TECHNOLOGIES. THIS INFORMATION SHALL NOT BE REPRODUCED, TRANSFERRED TO OTHER DOCUMENTS, DISCLOSED TO OTHERS FOR MANUFACTURING OR ANY OTHER PURPOSE WITHOUT WRITTEN PERMISSION FROM WILDER TECHNOLOGIES.

REVISIONS

REV	AUTH	DESCRIPTION	APVD DATE	CHK DATE
A	ECNXXXX	PRELIMINARY RELEASE UPDATED 07-08-10		07/08/10
B	ECNXXXX	BILL OF MATERIAL CHANGE		08/20/10
C	ECNXXXX	ADD CONNECTOR SUPPORT PLATE		09/20/13



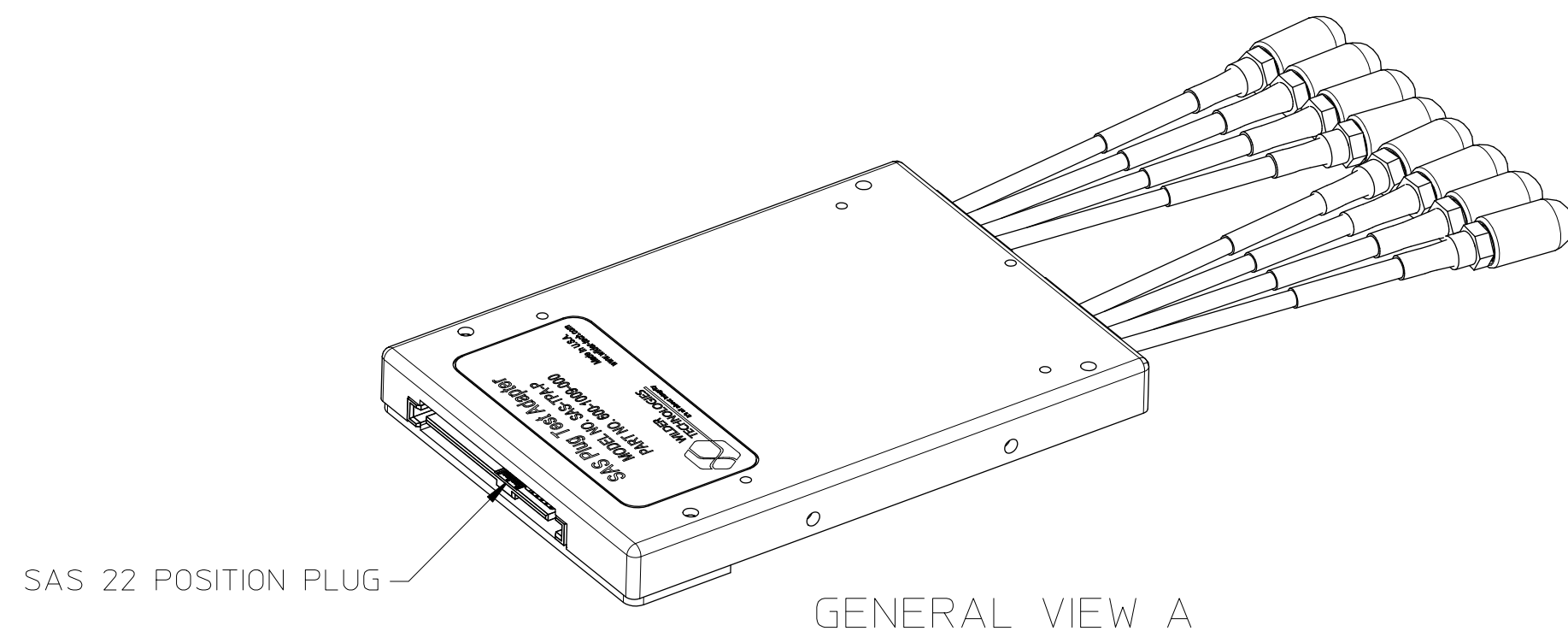
- HOST RS+ (WHITE) (WITH RED MARKER BAND)
- HOST RS- (WHITE)
- HOST TS- (GREEN)
- HOST TS+ (GREEN) (WITH RED MARKER BAND)
- HOST RP+ (RED) (WITH RED MARKER BAND)
- HOST RP- (RED)
- HOST TP- (YELLOW)
- HOST TP+ (YELLOW) (WITH RED MARKER BAND)



FORM FACTOR COMPLIES WITH SFF-8201
(FORM FACTOR FOR 2.5 DISK DRIVES)

2. REFER TO THE USERS MANUAL FOR DETAILED MECHANICAL AND ELECTRICAL SPECIFICATIONS.
1. INTERPRET DIMENSIONS AND TOLERANCES PER ANSI-Y14.5.

NOTE: UNLESS OTHERWISE SPECIFIED



SAS 22 POSITION PLUG

GENERAL VIEW A

UNLESS OTHERWISE SPECIFIED DIMENSIONS ARE INCHES (METRIC)		6101A East 18th St. Vancouver, WA 98661 Tel: 360-859-3041 Fax: 360-859-3105 www.wilder-tech.com	
.XXX ± .005 ± .127 ±	.XX ± .01 ± .25 ±	DRAWN BY: W. STANLEY DATE: 10/05/09	
.X ± .12 ± .3 ±	ANGLE ± 1° 1°	CHECKED BY: DATE:	
MATERIAL:		APPROVED BY: DATE:	
FINISH:		DESCRIPTION: FINAL ASSEMBLY SAS PLUG SAS-TPA-P	
SIZE	PART NUMBER:	REV	
C	600-1009-000_W	C	
SCALE: 1.5:1		DO NOT SCALE DRAWING SHEET 1 OF 1	