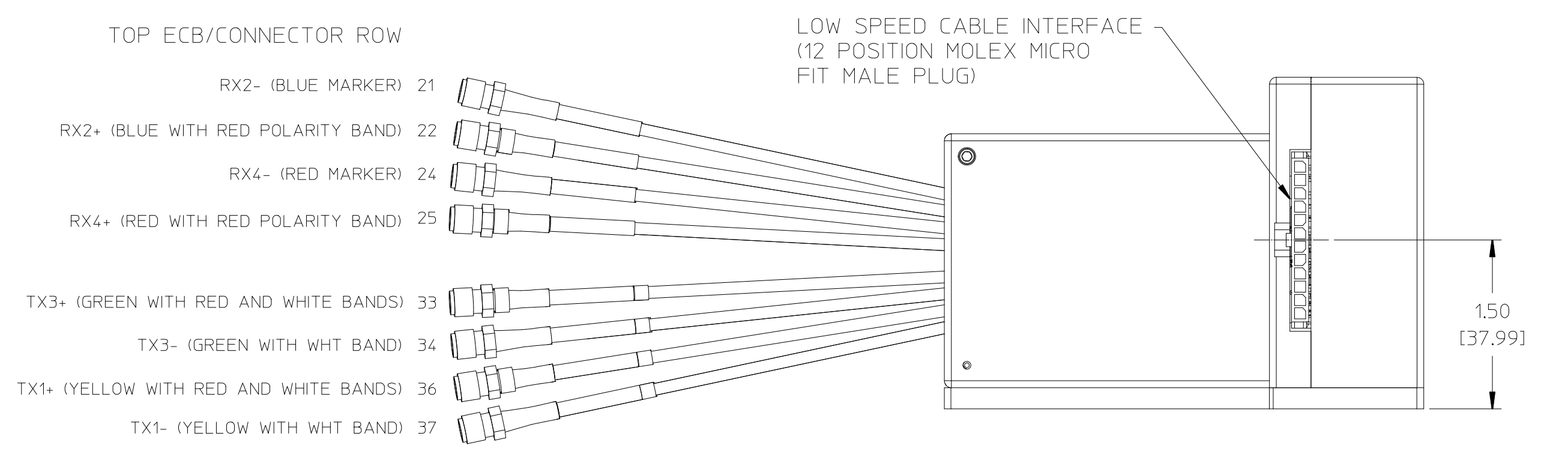
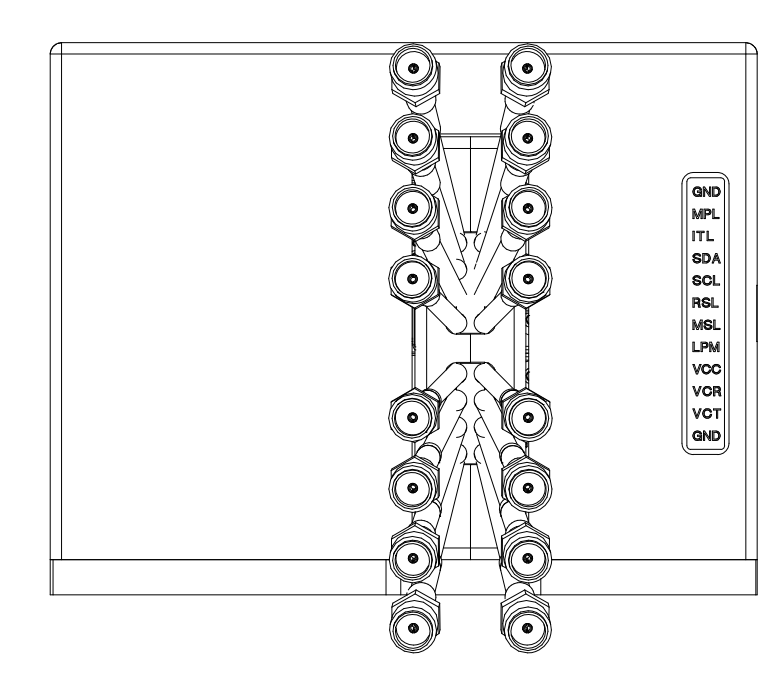
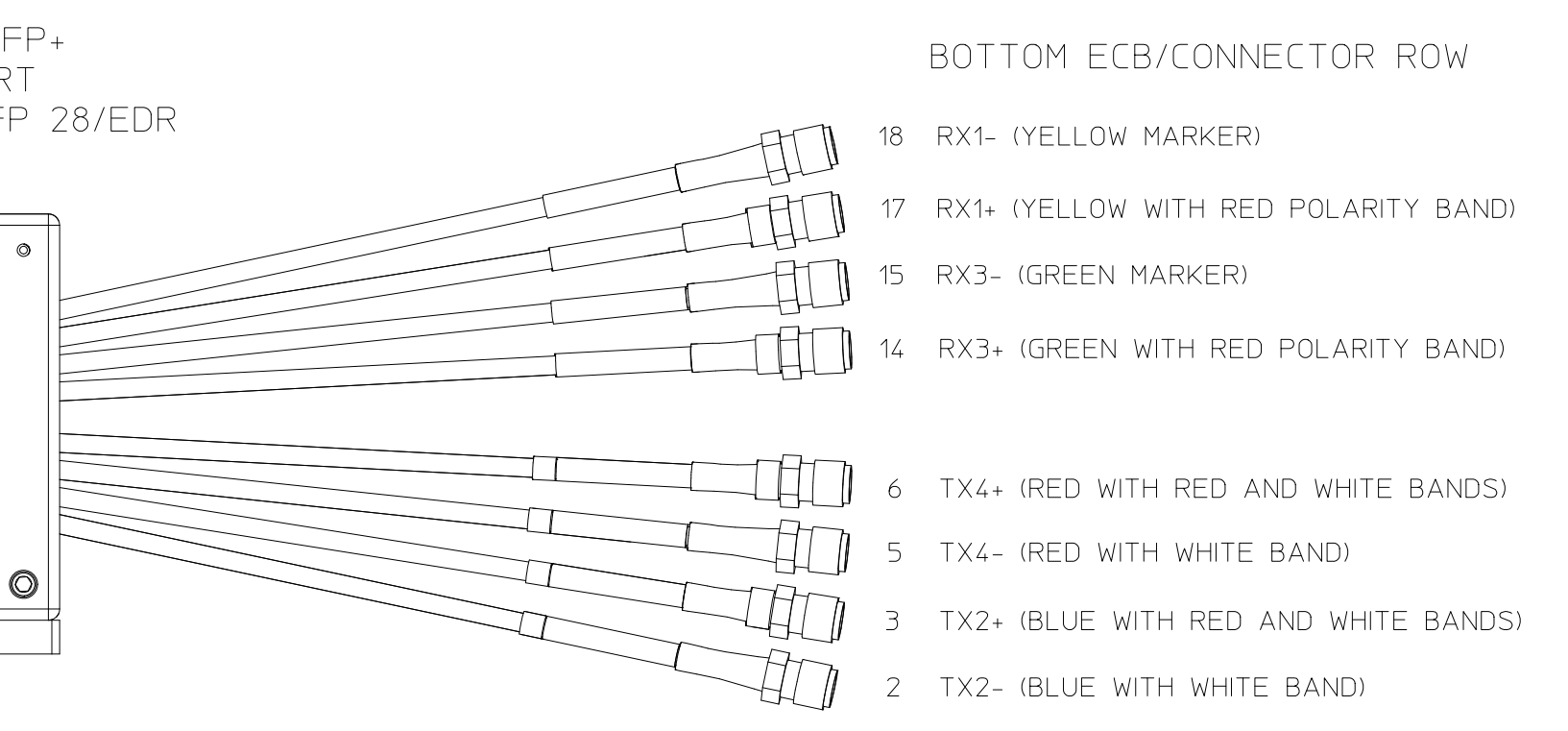
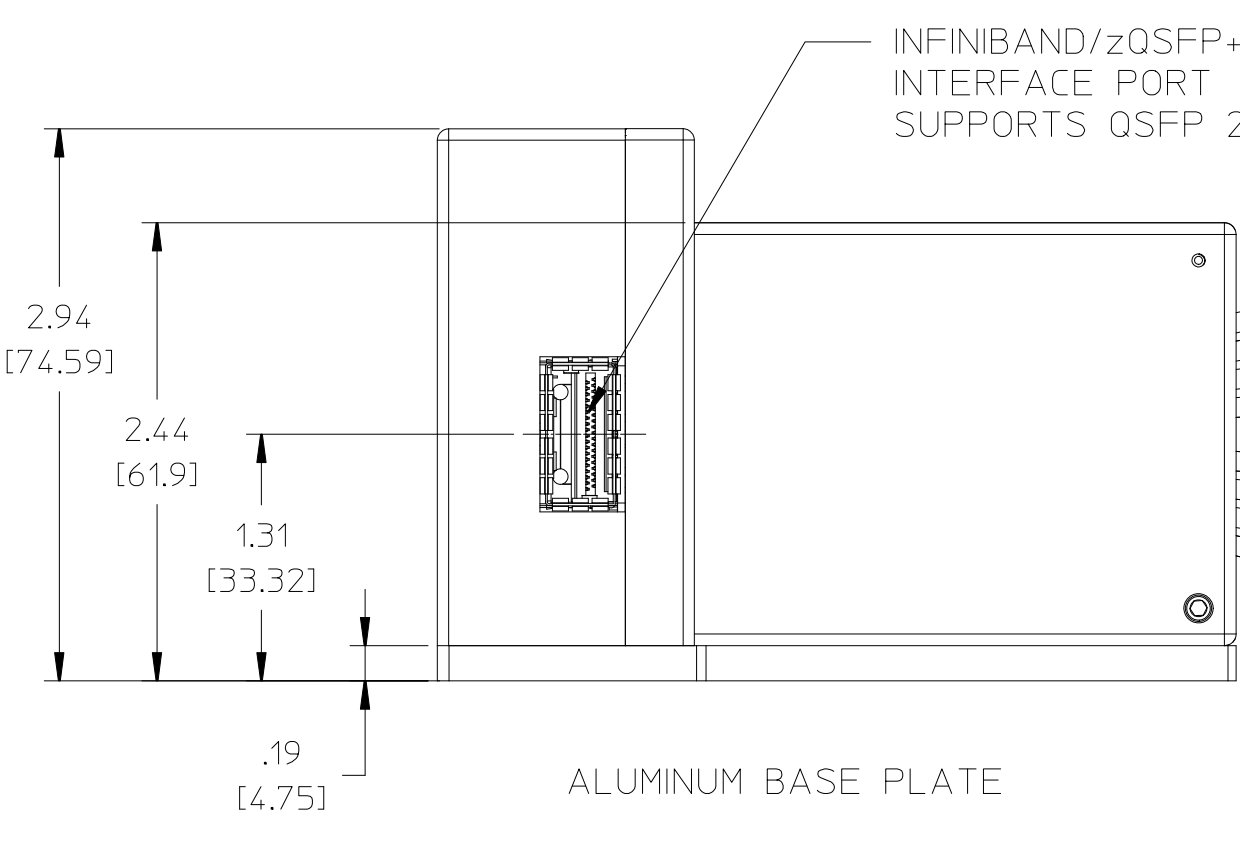
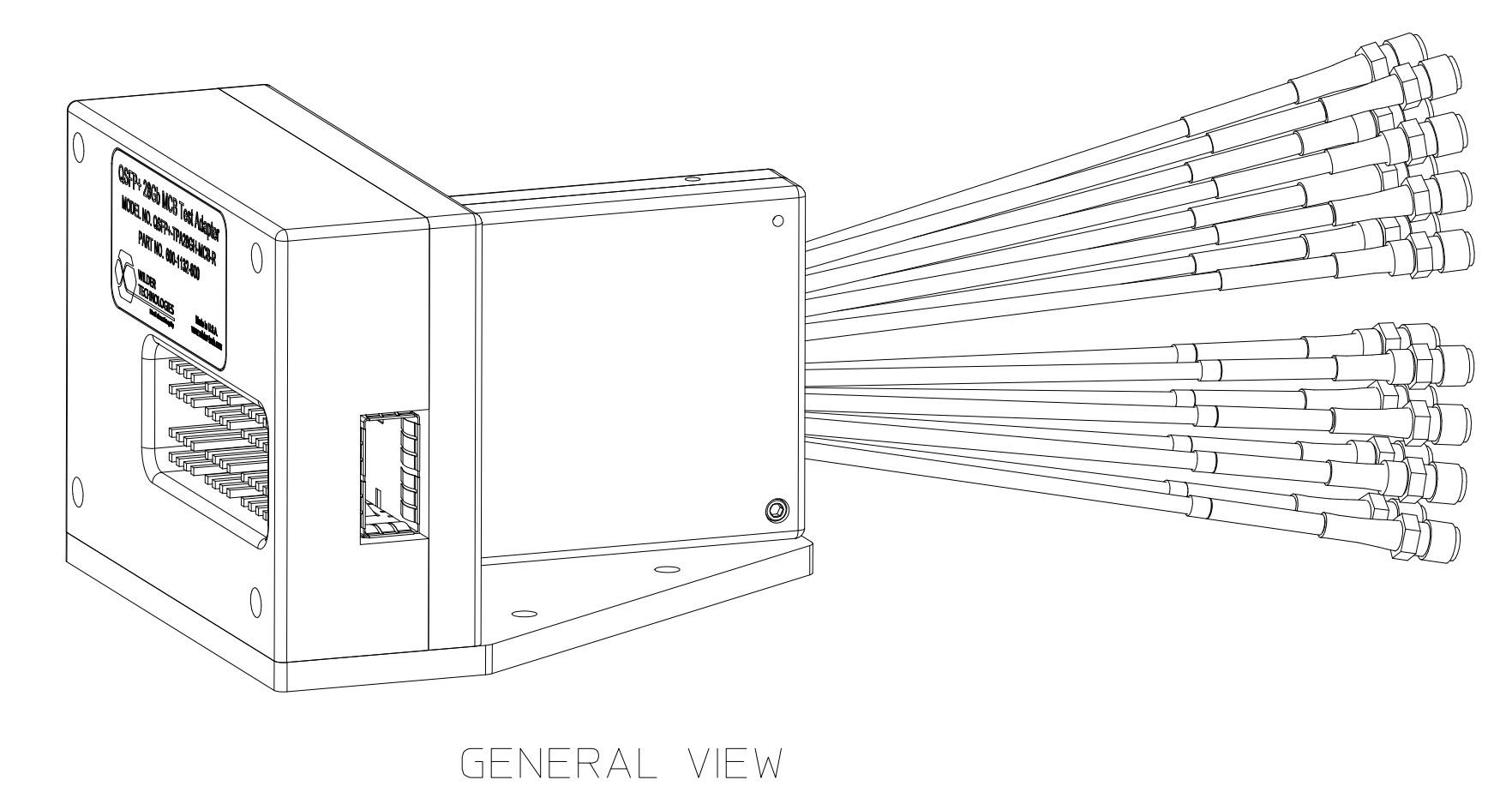
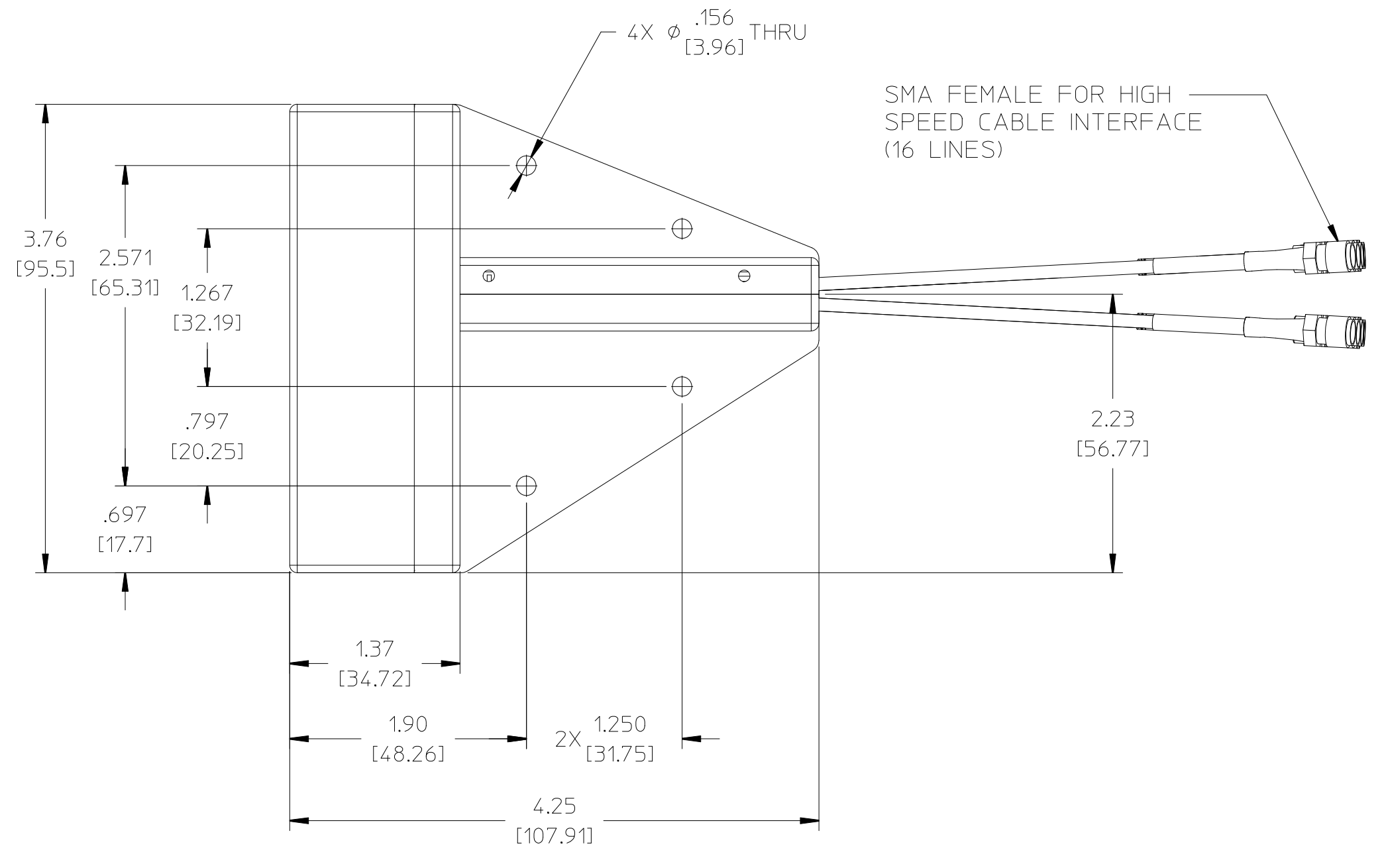


THIS DOCUMENT CONTAINS PROPRIETARY INFORMATION AND IS THE PROPERTY OF WILDER TECHNOLOGIES. THIS INFORMATION SHALL NOT BE REPRODUCED, TRANSFERRED TO OTHER DOCUMENTS, DISCLOSED TO OTHERS FOR MANUFACTURING OR ANY OTHER PURPOSE WITHOUT WRITTEN PERMISSION FROM WILDER TECHNOLOGIES.

REVISIONS				
REV	AUTH	DESCRIPTION	APVD DATE	CHK DATE
A	ECNXXXX	PRELIMINARY RELEASE		07/24/15



- NOTE: UNLESS OTHERWISE SPECIFIED
1. INTERPRET DIMENSIONS AND TOLERANCES PER ANSI Y14.5.
 2. FOR DETAILED MECHANICAL AND ELECTRICAL SPECIFICATIONS REFER TO USERS MANUAL 910-0036-000.
 2. THIS TEST ADAPTER IS SUPPLIED WITH A SEPARATE 12 POSITION RECEPTACLE AND RECEPTACLE PINS TO ALLOW USERS TO CONNECT TO THIS ASSEMBLY.

UNLESS OTHERWISE SPECIFIED DIMENSIONS ARE INCHES (METRIC)	.XXX + .005 + .127 +	DRAWN BY: W. STANLEY	DATE: 07/24/2015
	.XX + .01 + .25 +		CHECKED BY:
.X + .12 + .3 +	ANGLE + 1°	APPROVED BY:	DATE:
FINISH:	SCALE: 1:1	DESCRIPTION: REFERENCE DRAWING, 28Gb MCB RECEPTACLE TEST ADAPTER, QSFP+-TPA28GH-MCB-R	
SIZE: D	PART NUMBER: 600-1132-600	REV: A	DO NOT SCALE DRAWING SHEET 3 OF 3

6101A East 18th St Vancouver, WA 98661
Tel: 360-859-3041 Fax: 360-859-3105 www.wilder-tech.com