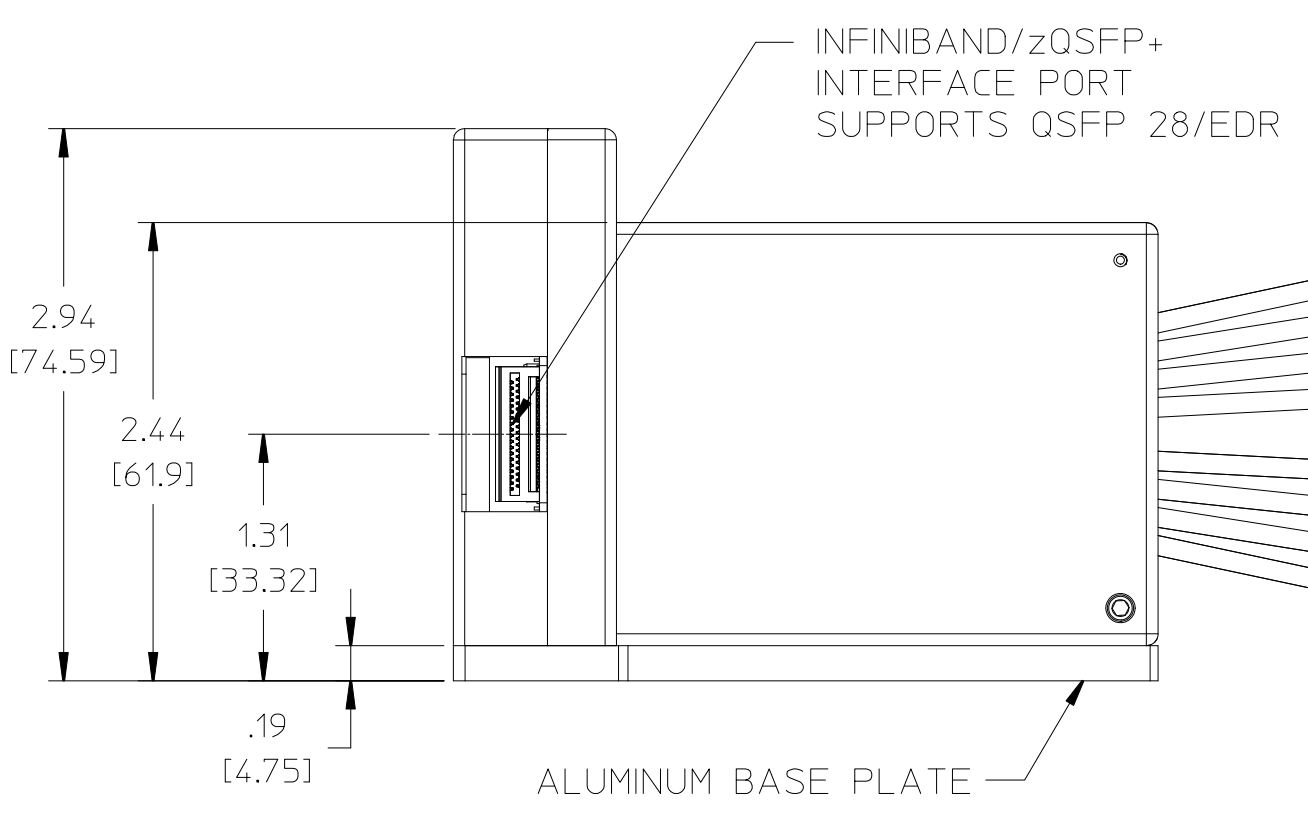
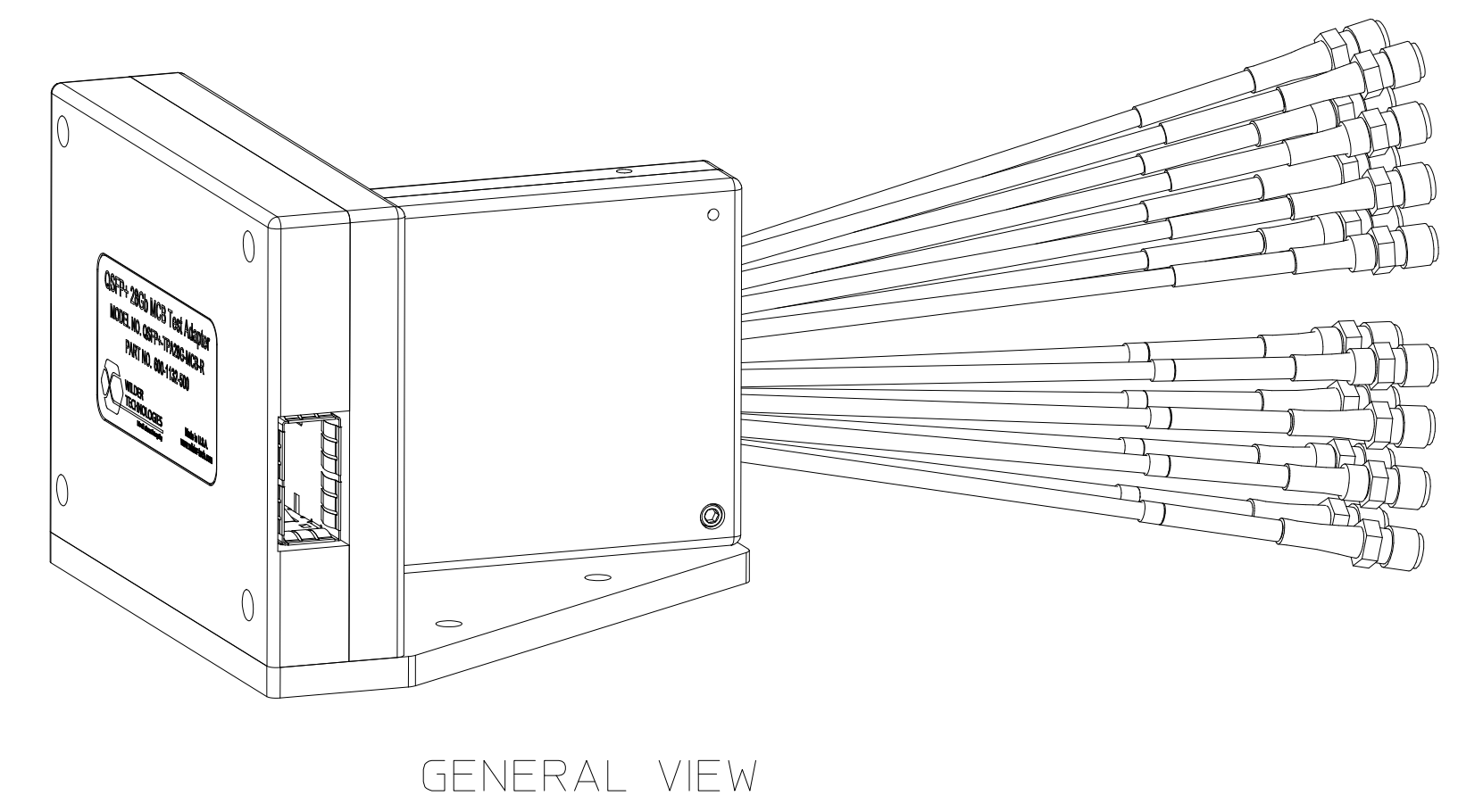
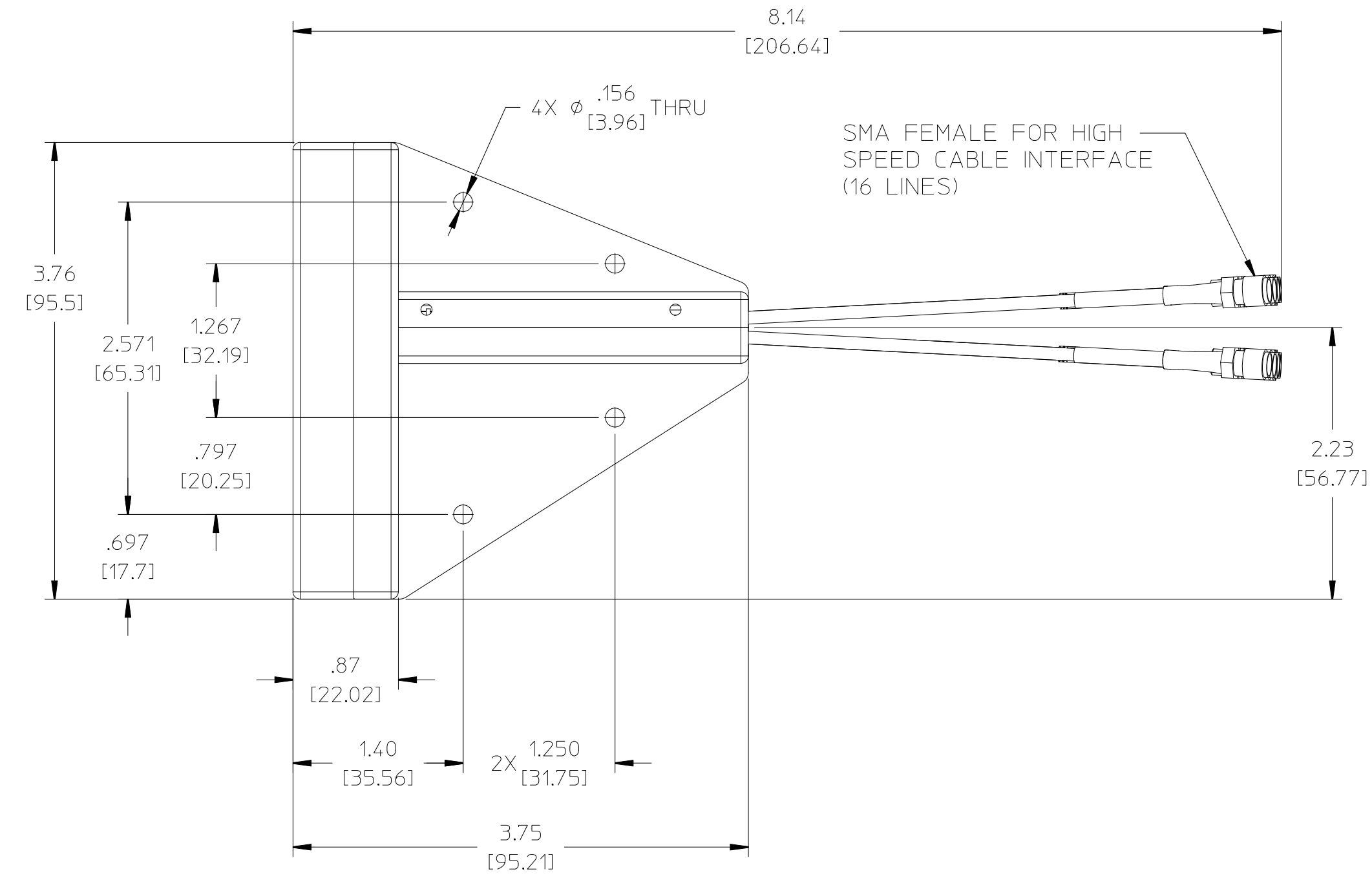


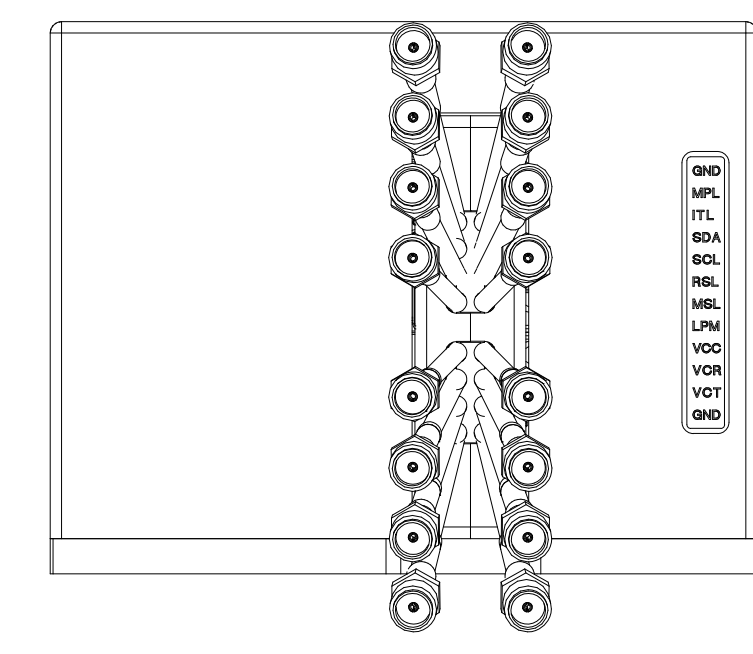
THIS DOCUMENT CONTAINS PROPRIETARY INFORMATION AND IS THE PROPERTY OF WILDER TECHNOLOGIES. THIS INFORMATION SHALL NOT BE REPRODUCED, TRANSFERRED TO OTHER DOCUMENTS, DISCLOSED TO OTHERS FOR MANUFACTURING OR ANY OTHER PURPOSE WITHOUT WRITTEN PERMISSION FROM WILDER TECHNOLOGIES.

REVISIONS				
REV	AUTH	DESCRIPTION	APVD DATE	CHK DATE
A	ECNXXXX	PRELIMINARY RELEASE		7/24/15



BOTTOM ECB/CONNECTOR ROW

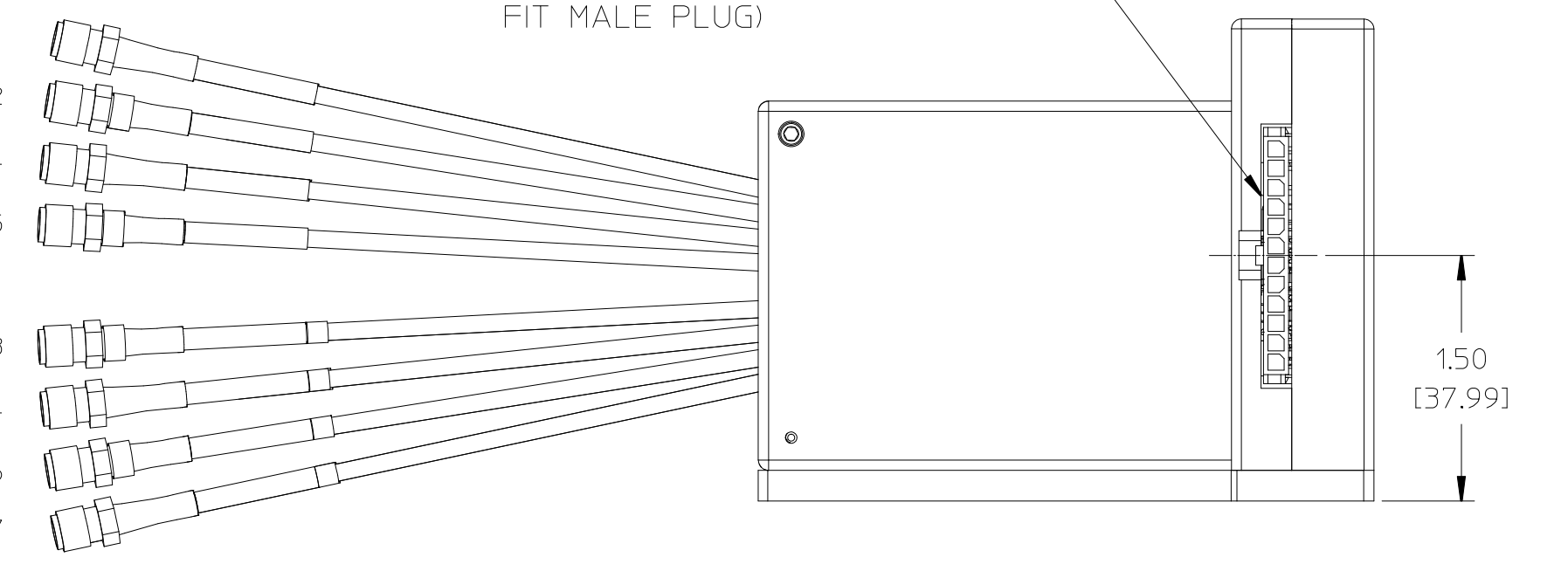
- 18 RX1- (YELLOW MARKER)
- 17 RX1+ (YELLOW WITH RED POLARITY BAND)
- 15 RX3- (GREEN MARKER)
- 14 RX3+ (GREEN WITH RED POLARITY BAND)
- 6 TX4+ (RED WITH RED AND WHITE BANDS)
- 5 TX4- (RED WITH WHITE BAND)
- 3 TX2+ (BLUE WITH RED AND WHITE BANDS)
- 2 TX2- (BLUE WITH WHITE BAND)



TOP ECB/CONNECTOR ROW

- RX2- (BLUE MARKER) 21
- RX2+ (BLUE WITH RED POLARITY BAND) 22
- RX4- (RED MARKER) 24
- RX4+ (RED WITH RED POLARITY BAND) 25
- TX3+ (GREEN WITH RED AND WHITE BANDS) 33
- TX3- (GREEN WITH WHT BAND) 34
- TX1+ (YELLOW WITH RED AND WHITE BANDS) 36
- TX1- (YELLOW WITH WHT BAND) 37

LOW SPEED CABLE INTERFACE (12 POSITION MOLEX MICRO FIT MALE PLUG)



NOTE: UNLESS OTHERWISE SPECIFIED

- INTERPRET DIMENSIONS AND TOLERANCES PER ANSI Y14.5.
- FOR DETAILED MECHANICAL AND ELECTRICAL SPECIFICATIONS REFER TO USERS MANUAL 910-0036-000.
- THIS TEST ADAPTER IS SUPPLIED WITH A SEPARATE 12 POSITION RECEPTACLE AND RECEPTACLE PINS TO ALLOW USERS TO CONNECT TO THIS ASSEMBLY.

UNLESS OTHERWISE SPECIFIED DIMENSIONS ARE INCHES (METRIC)	XXX + .005 + .127 +	DRAWN BY: W. STANLEY	DATE: 07/24/2015
	XX + .01 + .25 +		
	X + .12 + .3 +	CHECKED BY:	DATE:
	ANGLE + 1° + 1°	APPROVED BY:	DATE:
MATERIAL:	DESCRIPTION:	REFERENCE DRAWING, 28Gb MCB RECEPTACLE TEST ADAPTER, QSFP+-TPA28G-MCB-R	
FINISH:	SIZE PART NUMBER:	D 600-1132-500	REV A
	SCALE: 1:1	DO NOT SCALE DRAWING	SHEET 3 OF 3