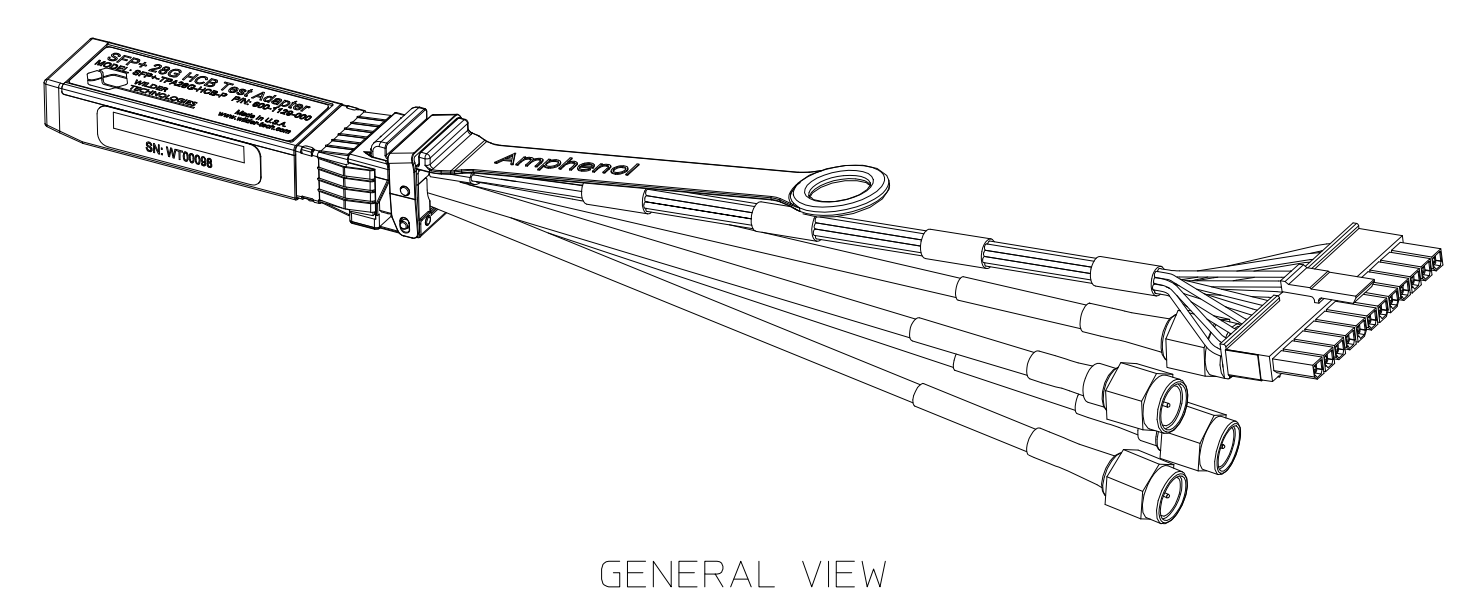
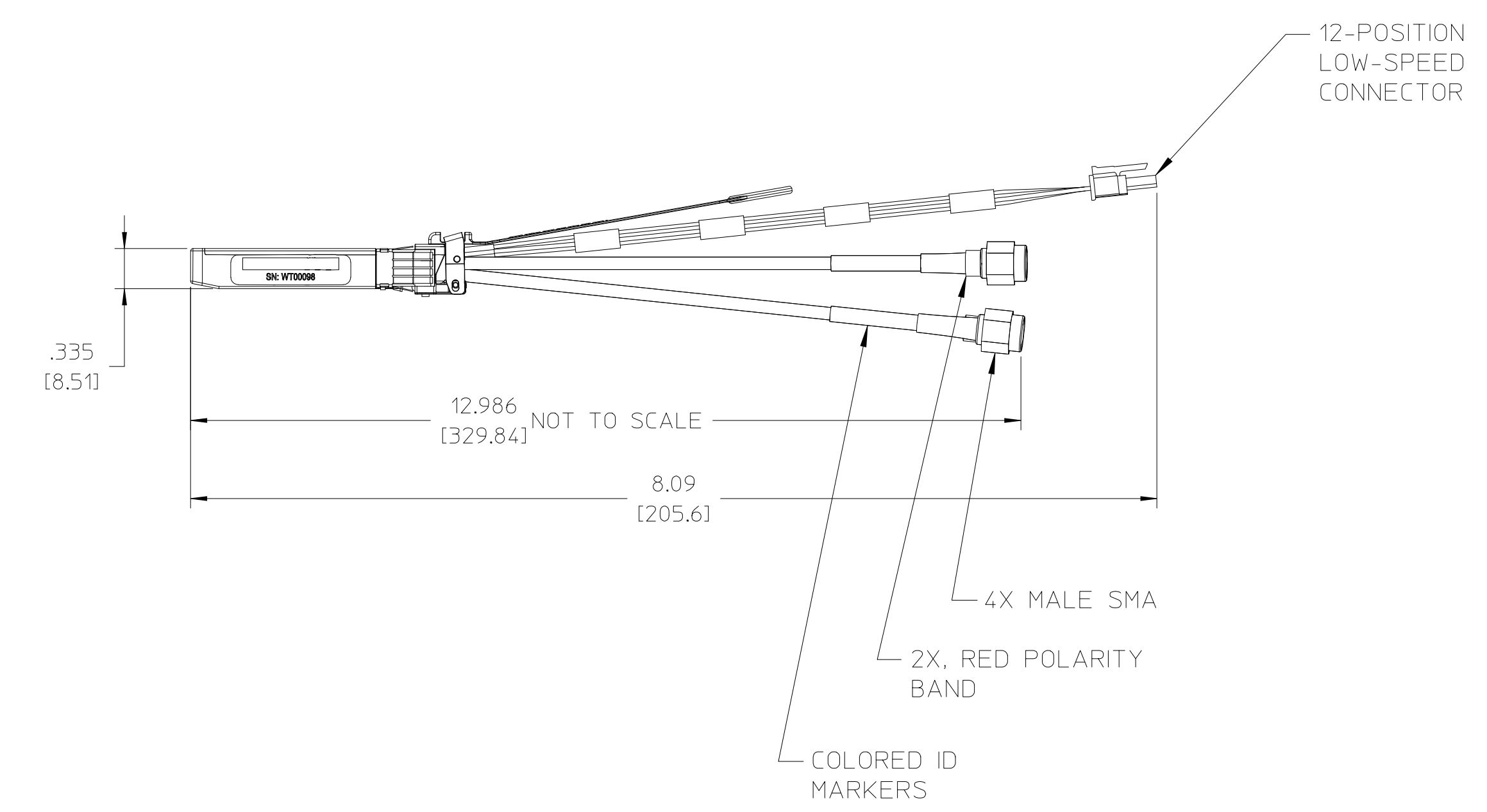
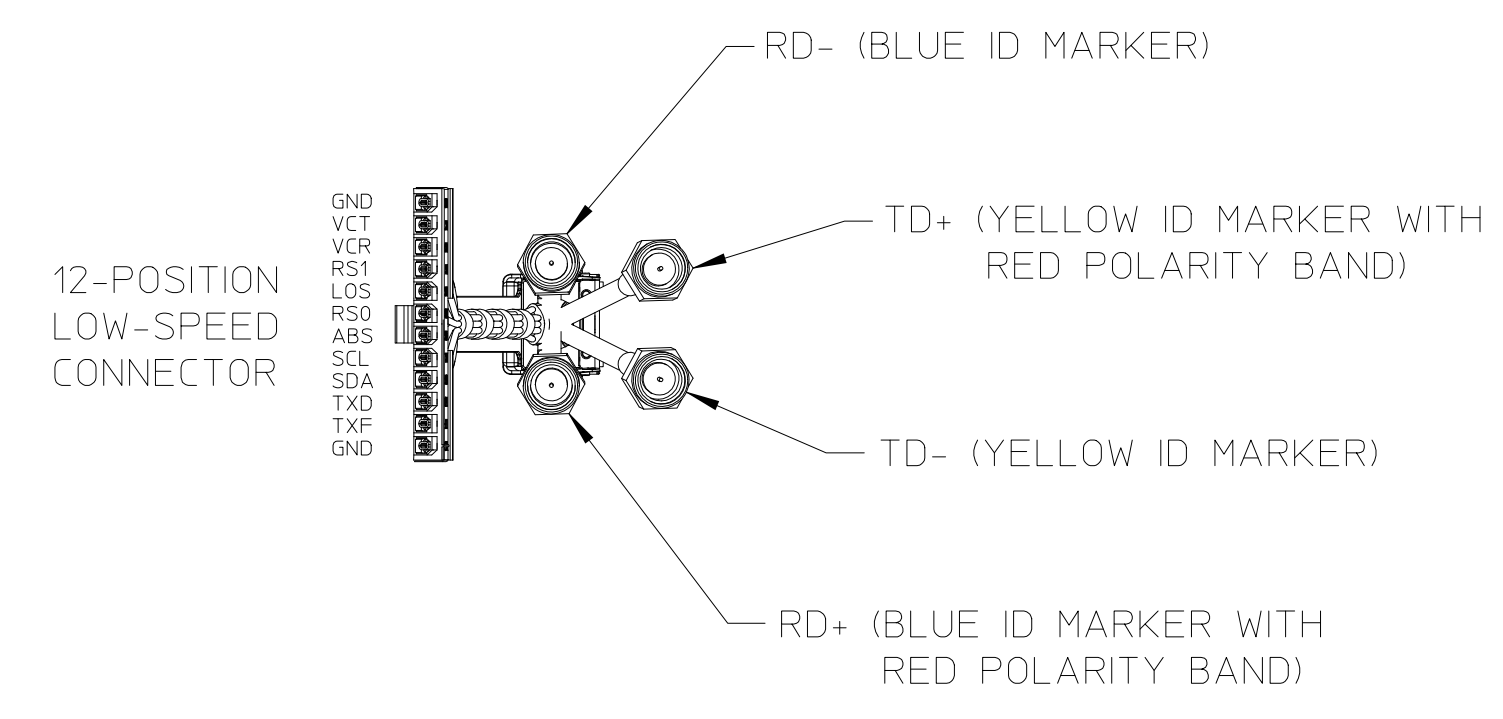
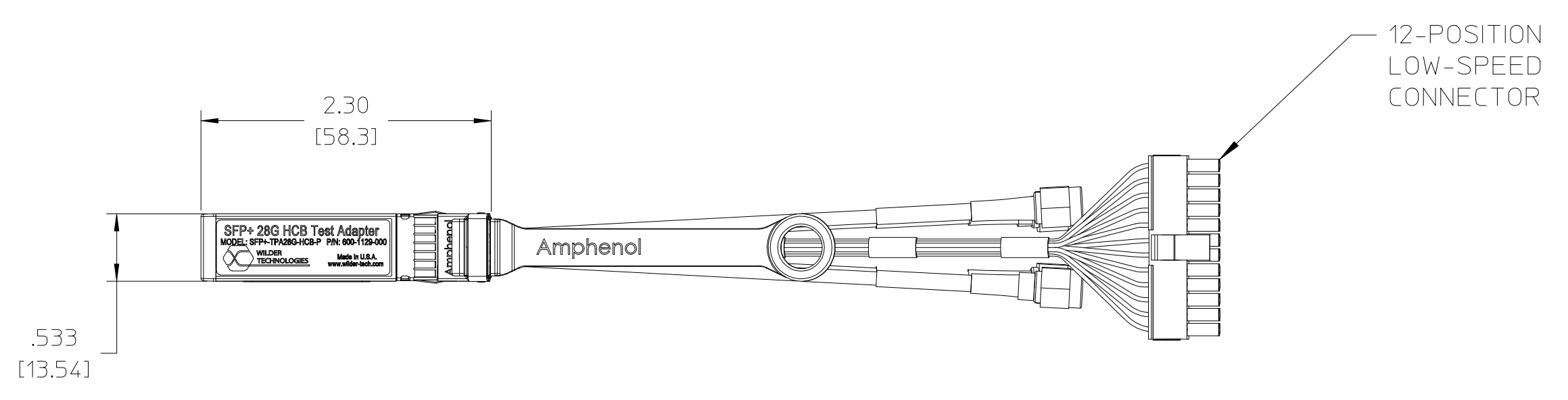


THIS DOCUMENT CONTAINS PROPRIETARY INFORMATION AND IS THE PROPERTY OF WILDER TECHNOLOGIES. THIS INFORMATION SHALL NOT BE REPRODUCED, TRANSFERRED TO OTHER DOCUMENTS, DISCLOSED TO OTHERS FOR MANUFACTURING OR ANY OTHER PURPOSE WITHOUT WRITTEN PERMISSION FROM WILDER TECHNOLOGIES.

| REVISIONS | | | | |
|-----------|------|-----------------|-----------|-----------|
| REV | AUTH | DESCRIPTION | APVD DATE | CHK DATE |
| A | XXXX | INITIAL RELEASE | TD | 7/14/2015 |
| | | | | |
| | | | | |



- NOTE: UNLESS OTHERWISE SPECIFIED
1. INTERPRET DIMENSIONS AND TOLERANCES PER ANSI Y14.5.
 2. REFER TO THE USERS MANUAL FOR DETAILED MECHANICAL AND ELECTRICAL SPECIFICATIONS.

| | | | |
|---|---|---------------------------|-----------------|
| UNLESS OTHERWISE SPECIFIED DIMENSIONS ARE INCHES (METRIC) | .XXX + .005 + .127 + | DRAWN BY: T. DELUCCO | DATE: 7/14/2015 |
| | .XX + .01 + .25 + | | |
| .X + .12 + .3 + | CHECKED BY: | DATE: | DATE: |
| ANGLE + 1° + 1° | APPROVED BY: | | |
| MATERIAL: N/A | DESCRIPTION: CUSTOMER REFERENCE DWG. SFP+ 28G PLUG TPA SFP+-TPA28G-HCB-P) | | |
| FINISH: N/A | SIZE: D | PART NUMBER: 600-1129-000 | REV: A |
| SCALE: 1:1 | | DO NOT SCALE DRAWING | |
| 6 | | 1 | |