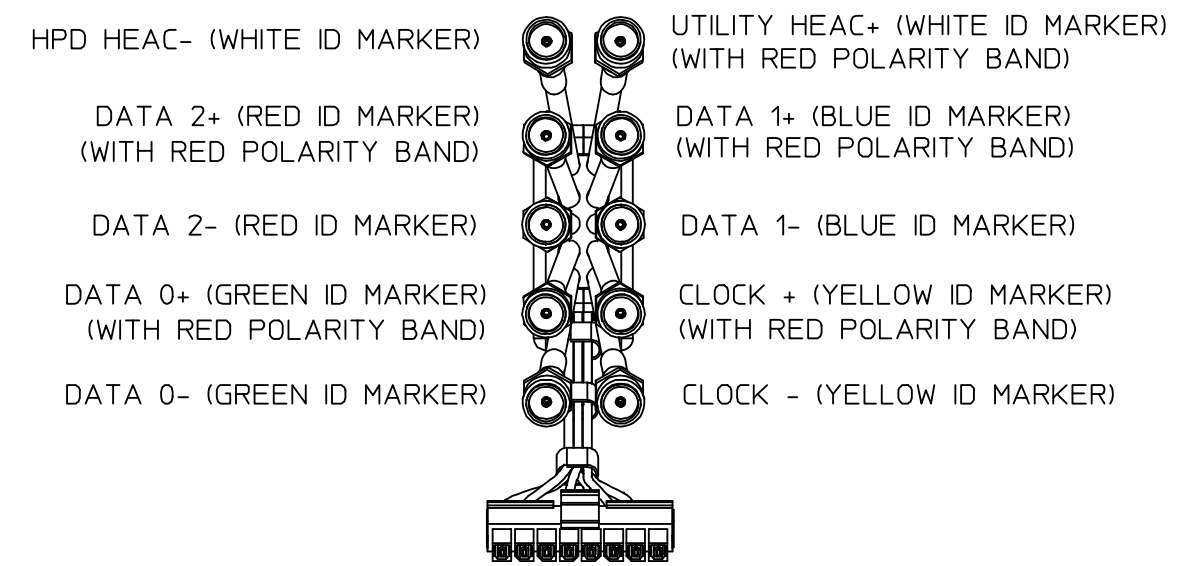
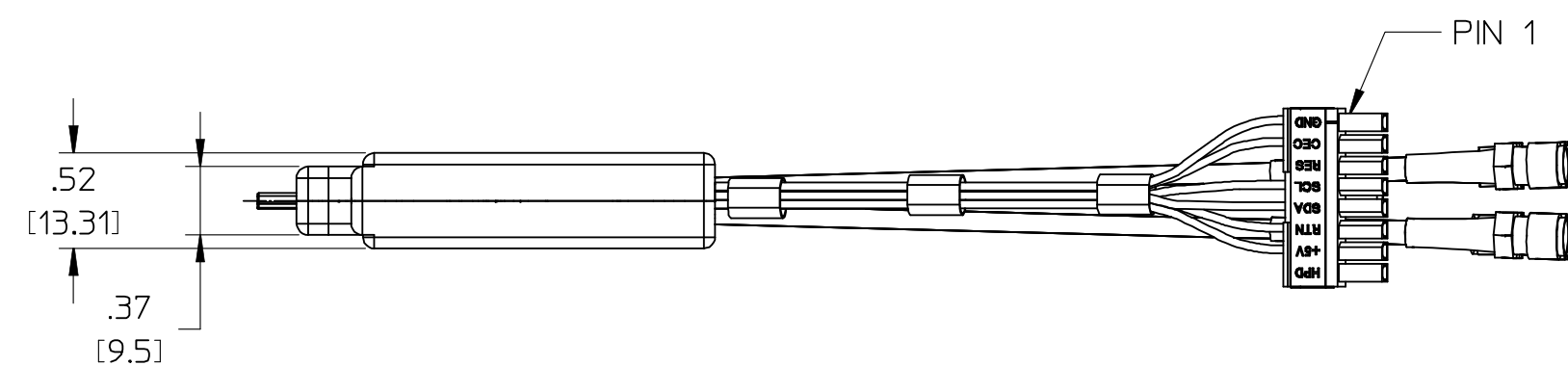
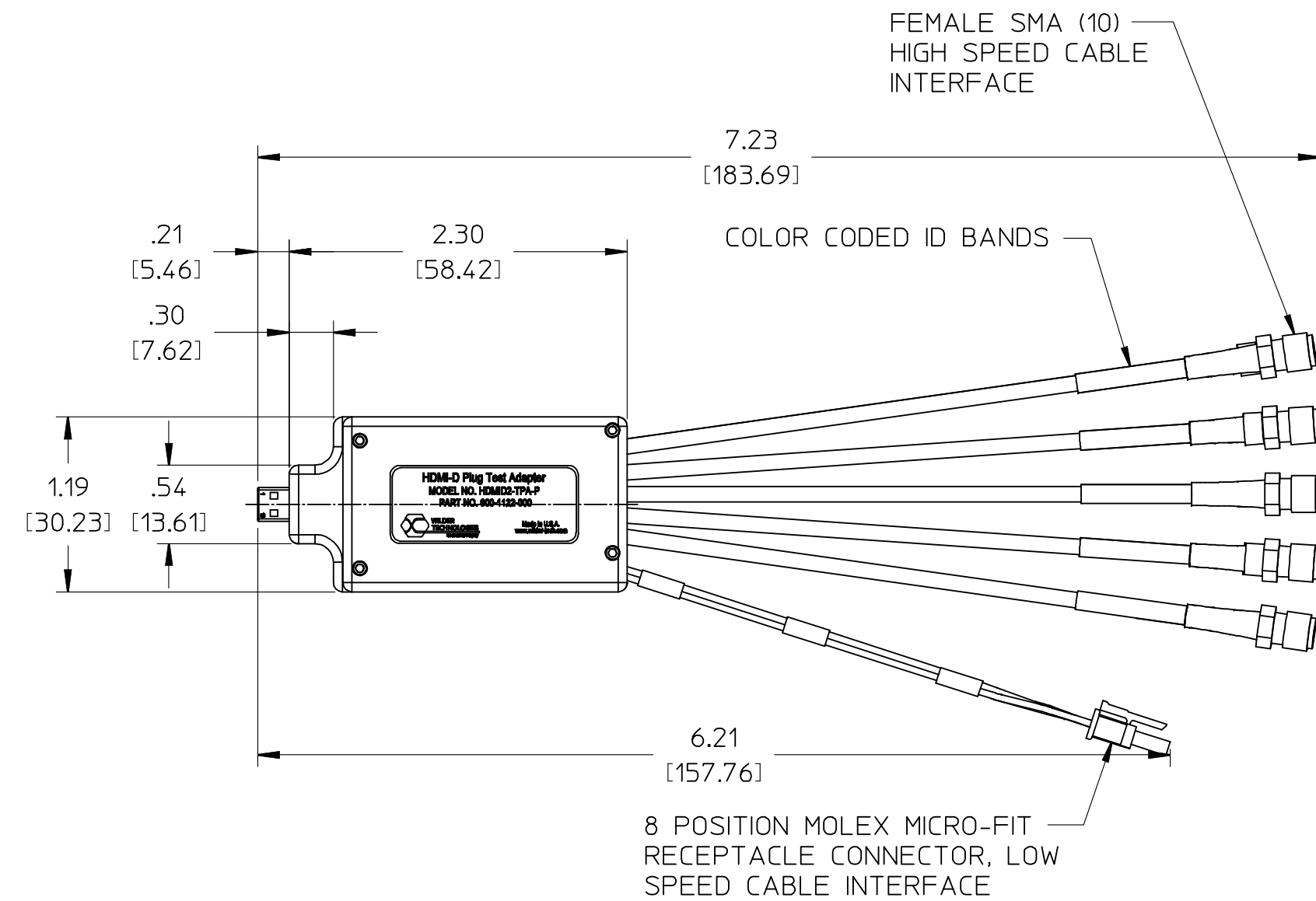


REVISIONS

REV	AUTH	DESCRIPTION	APVD DATE	CHK DATE
A	ECNXXXX	PRELIMINARY RELEASE		4-1-2105



NOTE: UNLESS OTHERWISE SPECIFIED

1. INTERPRET DIMENSIONS AND TOLERANCES PER ANSI Y14.5.
2. REFER TO THE USERS MANUAL FOR DETAILED MECHANICAL AND ELECTRICAL SPECIFICATIONS.
3. THIS ASSEMBLY IS PROVIDED WITH A MATING 8 POSITION PLUG AND SEPARATE CONTACTS FOR USER DEFINED CONNECTIONS TO THE LOW SPEED SIGNAL CABLE ASSEMBLY.

UNLESS OTHERWISE SPECIFIED DIMENSIONS ARE INCHES (METRIC) .XXX ± .005 ± .127 ± .XX ± .01 ± .25 ± .X ± .12 ± .3 ± ANGLE ± 1° 1°	WILDER TECHNOLOGIES <small>It's all about integrity</small>		6101A East, 18th St. Vancouver, WA 98661 Tel: 360-859-3041 Fax: 360-859-3105 www.wilder-tech.com	
	DRAWN BY: W. STANLEY		DATE: 4-1-2015	
CHECKED BY:		DATE:		
APPROVED BY:		DATE:		
MATERIAL:		DESCRIPTION: FINAL ASSEMBLY, HDMI-D PLUG TEST ADAPTER HDMD2-TPA-P		
FINISH:	SIZE: C	PART NUMBER: 600-1122-000	REV: A	
SCALE: 1:1		DO NOT SCALE DRAWING		SHEET 1 OF 2