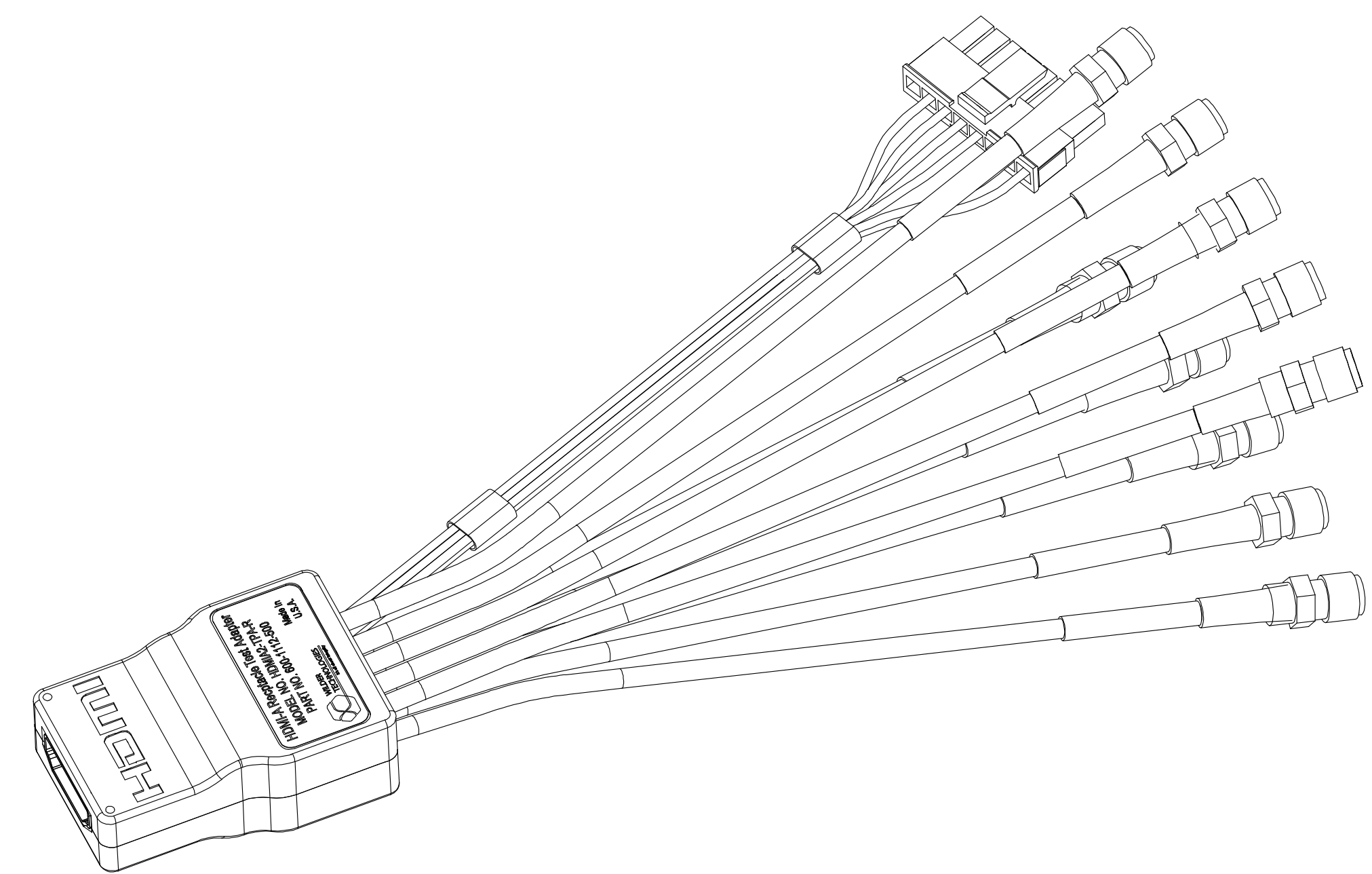
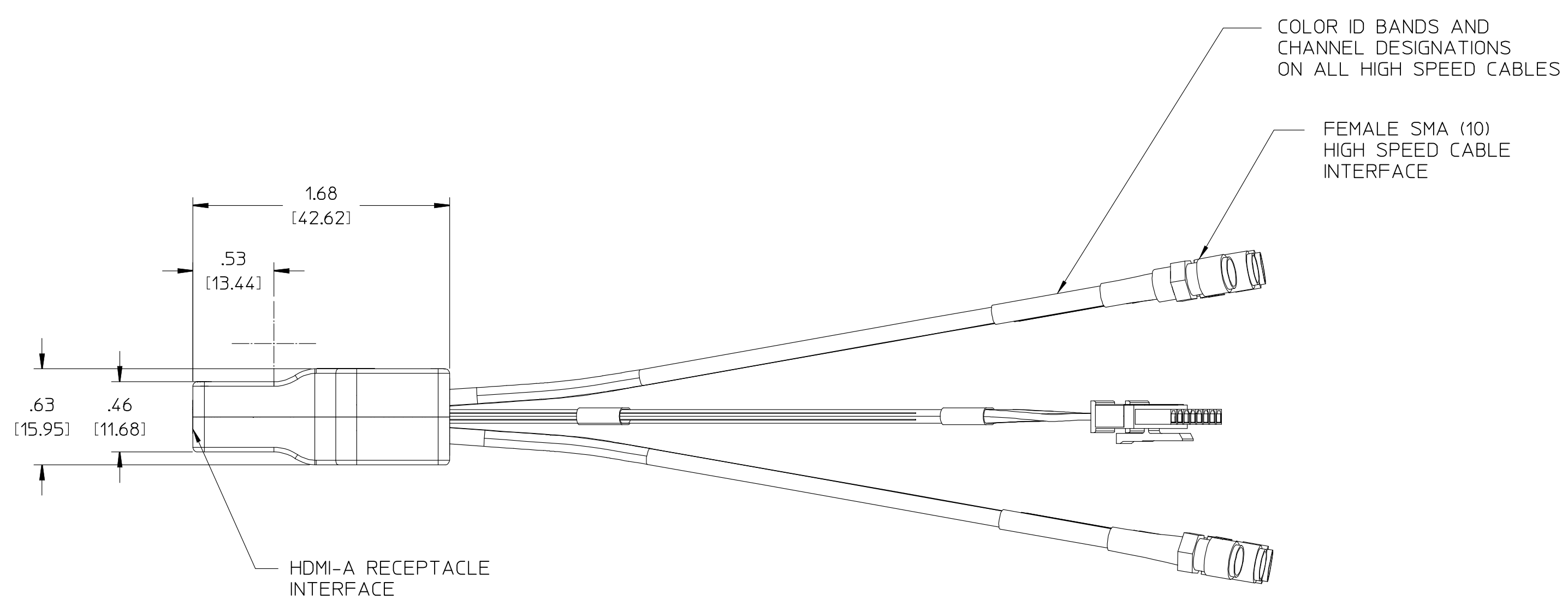
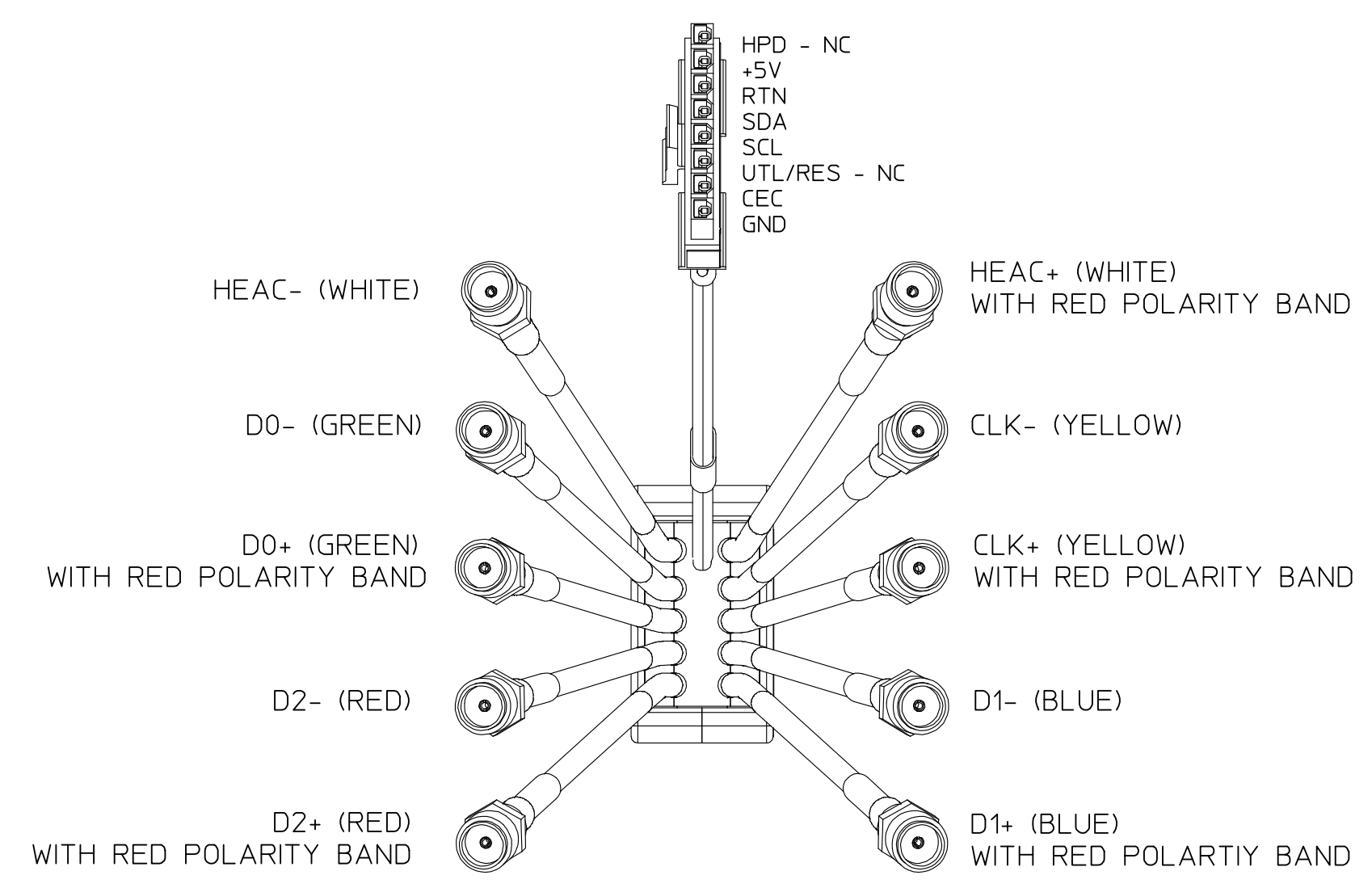
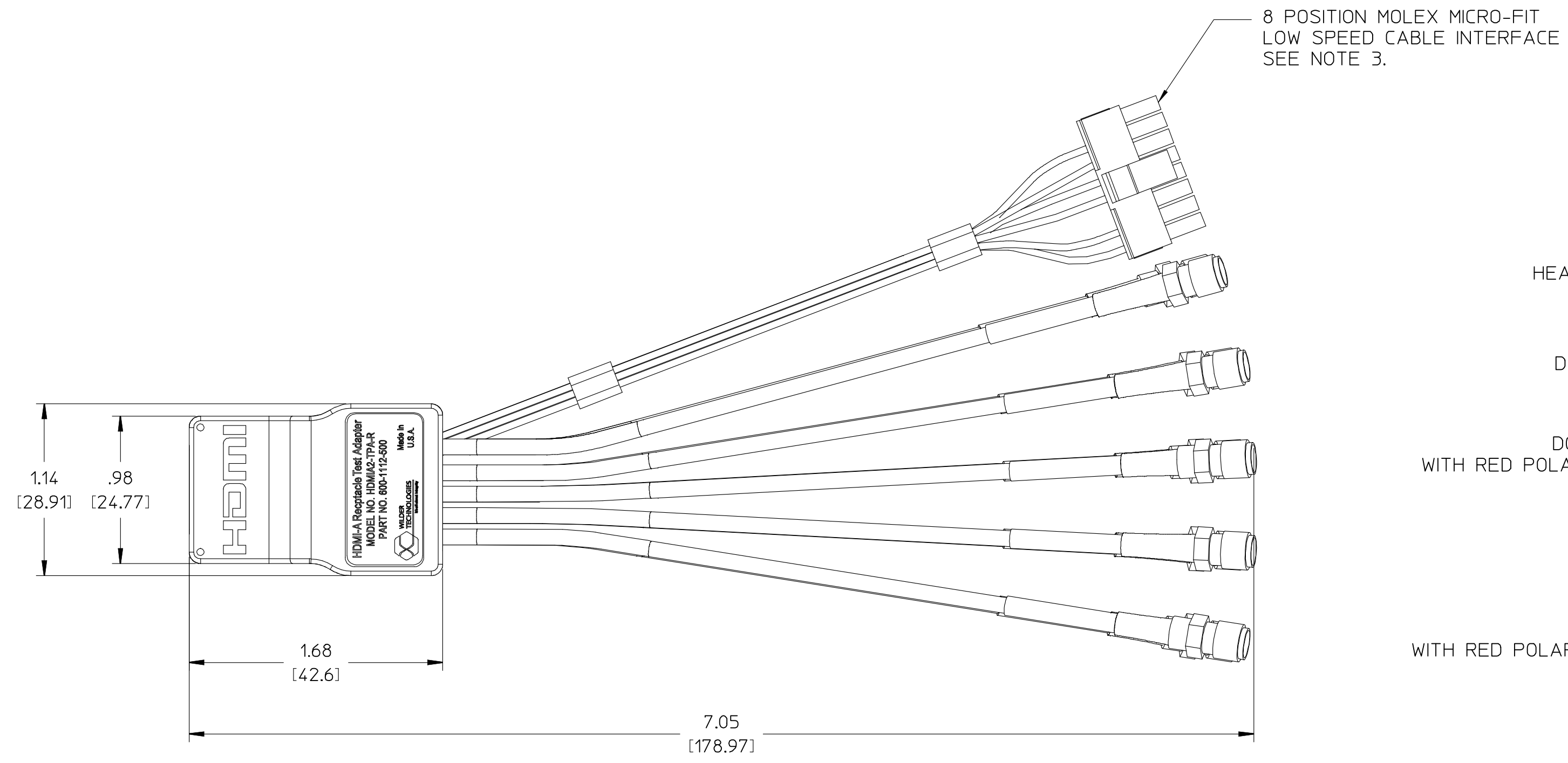


THIS DOCUMENT CONTAINS PROPRIETARY INFORMATION AND IS THE PROPERTY OF WILDER TECHNOLOGIES. THIS INFORMATION SHALL NOT BE REPRODUCED, TRANSFERRED TO OTHER DOCUMENTS, DISCLOSED TO OTHERS FOR MANUFACTURING OR ANY OTHER PURPOSE WITHOUT WRITTEN PERMISSION FROM WILDER TECHNOLOGIES.

REVISIONS				
REV	AUTH	DESCRIPTION	APVD DATE	CHK DATE
A	ECNXXXX	INITIAL RELEASE		2/12/2015



GENERAL VIEW A



3. THE LOW SPEED INTERFACE RECEPTACLE CONNECTOR HAS A MATING PLUG AND CONTACTS SUPPLIED TO ALLOW USERS TO CONNECT TO THIS ASSEMBLY.
 2. REFER TO THE USERS MANUAL FOR DETAILED MECHANICAL AND ELECTRICAL SPECIFICATIONS.
 1. INTERPRET DIMENSIONS AND TOLERANCES PER ANSI Y14.5.
- NOTE: UNLESS OTHERWISE SPECIFIED

UNLESS OTHERWISE SPECIFIED DIMENSIONS ARE INCHES (METRIC)	XXX + .005 + .127 +	WILDER TECHNOLOGIES 6101A East 18th St. Vancouver, WA 98661 Tel: 360-859-3041 Fax: 360-859-3105 www.wilder-tech.com
	XX + .02 + .50 +	
	X + .12 + .3 +	
	ANGLE = 1°	
DRAWN BY: W. STANLEY		DATE: 2/12/2015
CHECKED BY:		DATE:
APPROVED BY:		DATE:
DESCRIPTION:		
FINAL ASSEMBLY, HDMI A2 RECEPTACLE, HDMI A2-TPA-R		
FINISH:	SIZE PART NUMBER:	REV
	D 600-112-500	A
SCALE: 15:1	DO NOT SCALE DRAWING	SHEET 1 OF 2