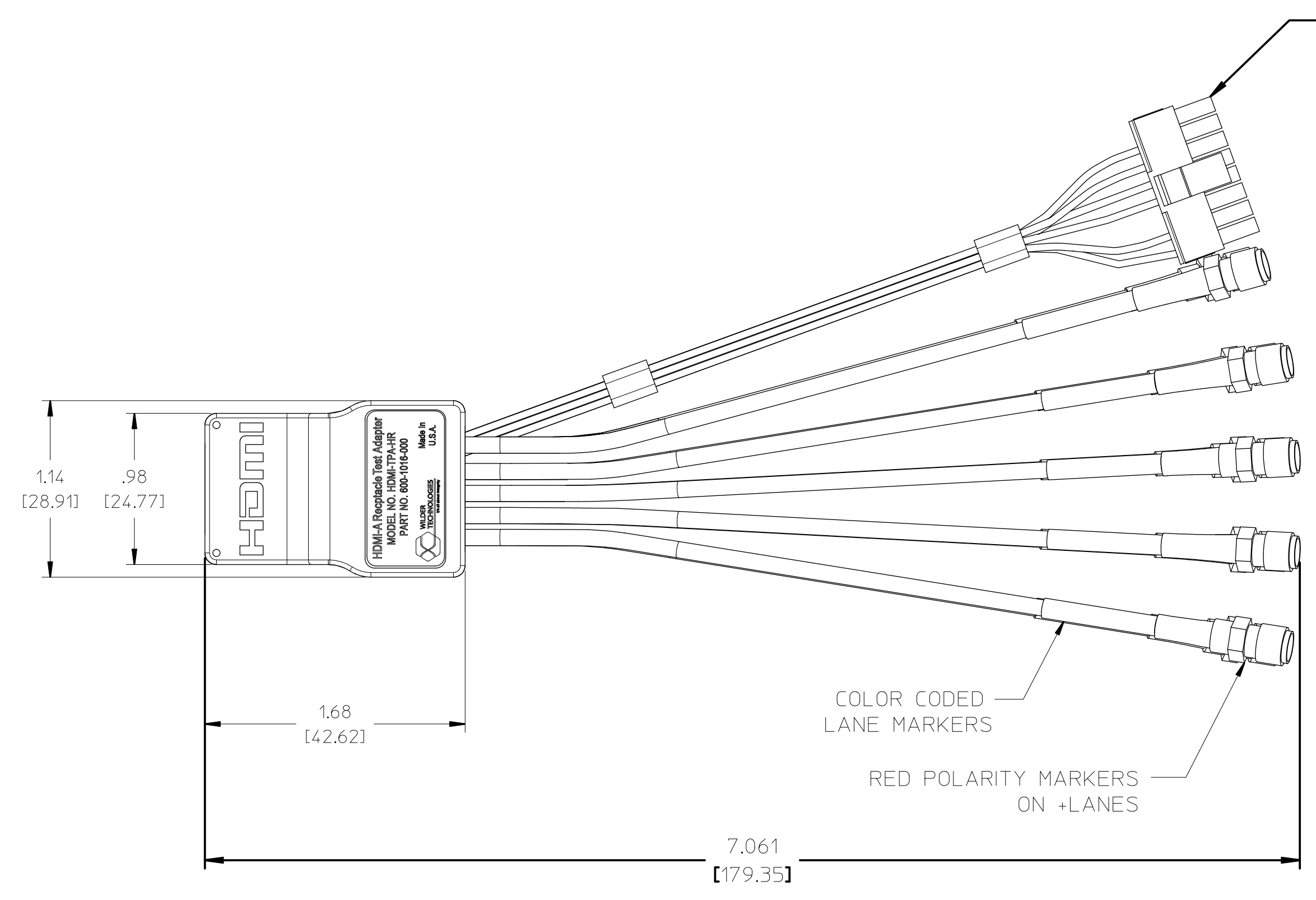
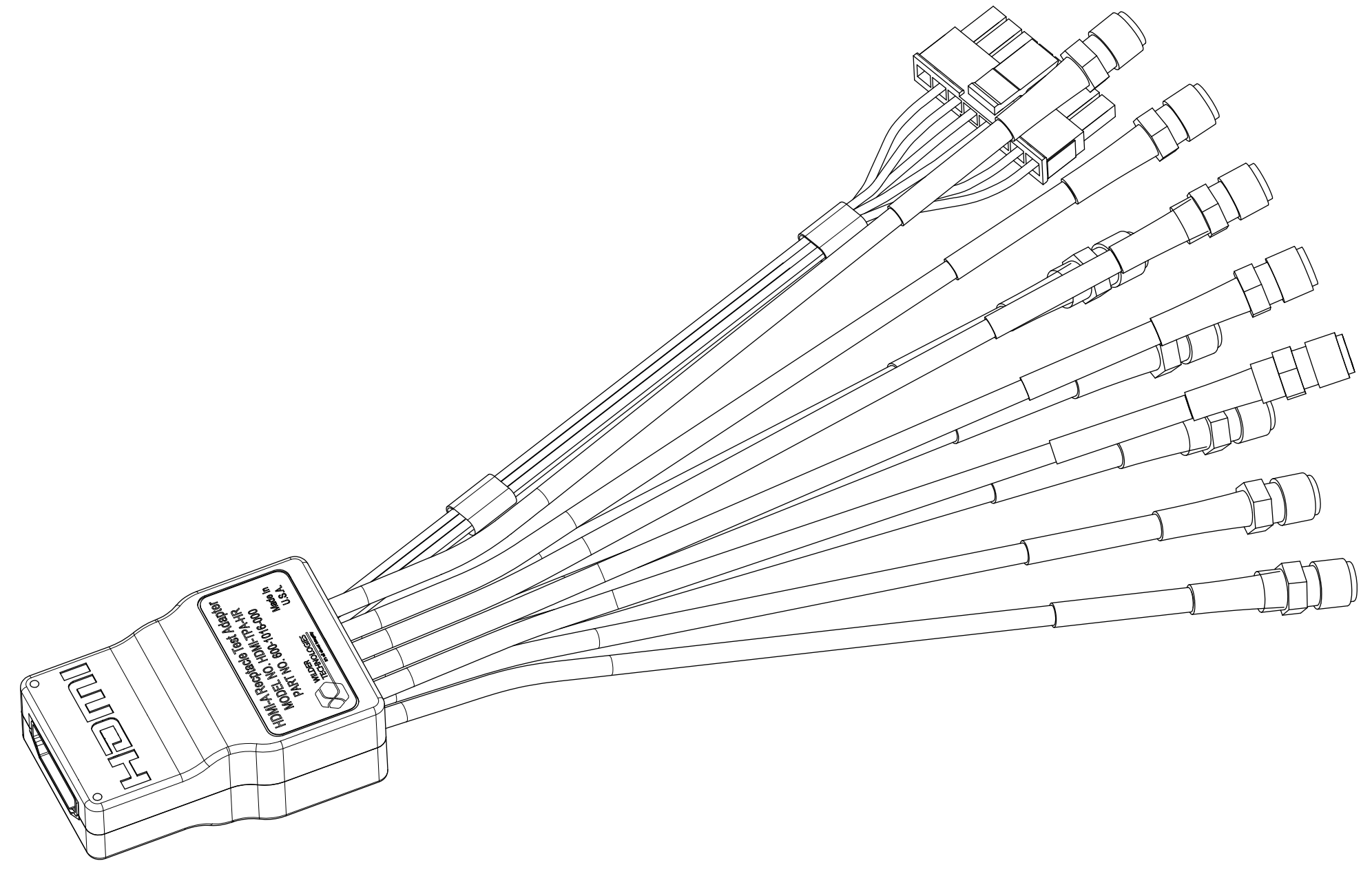
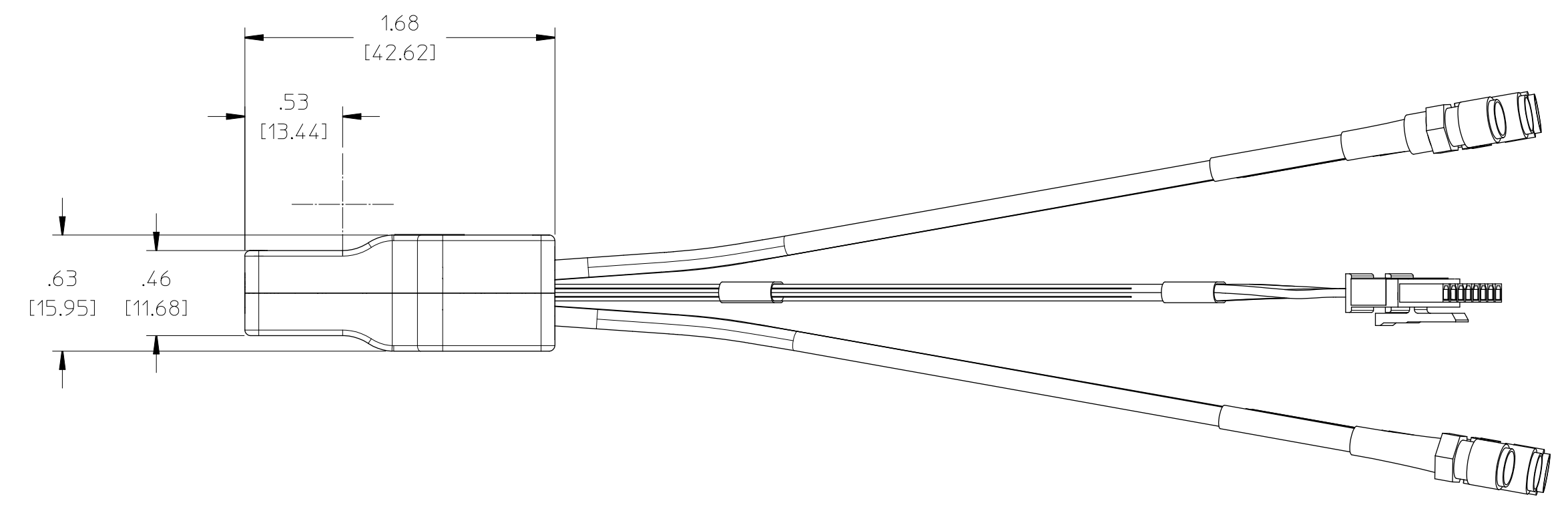
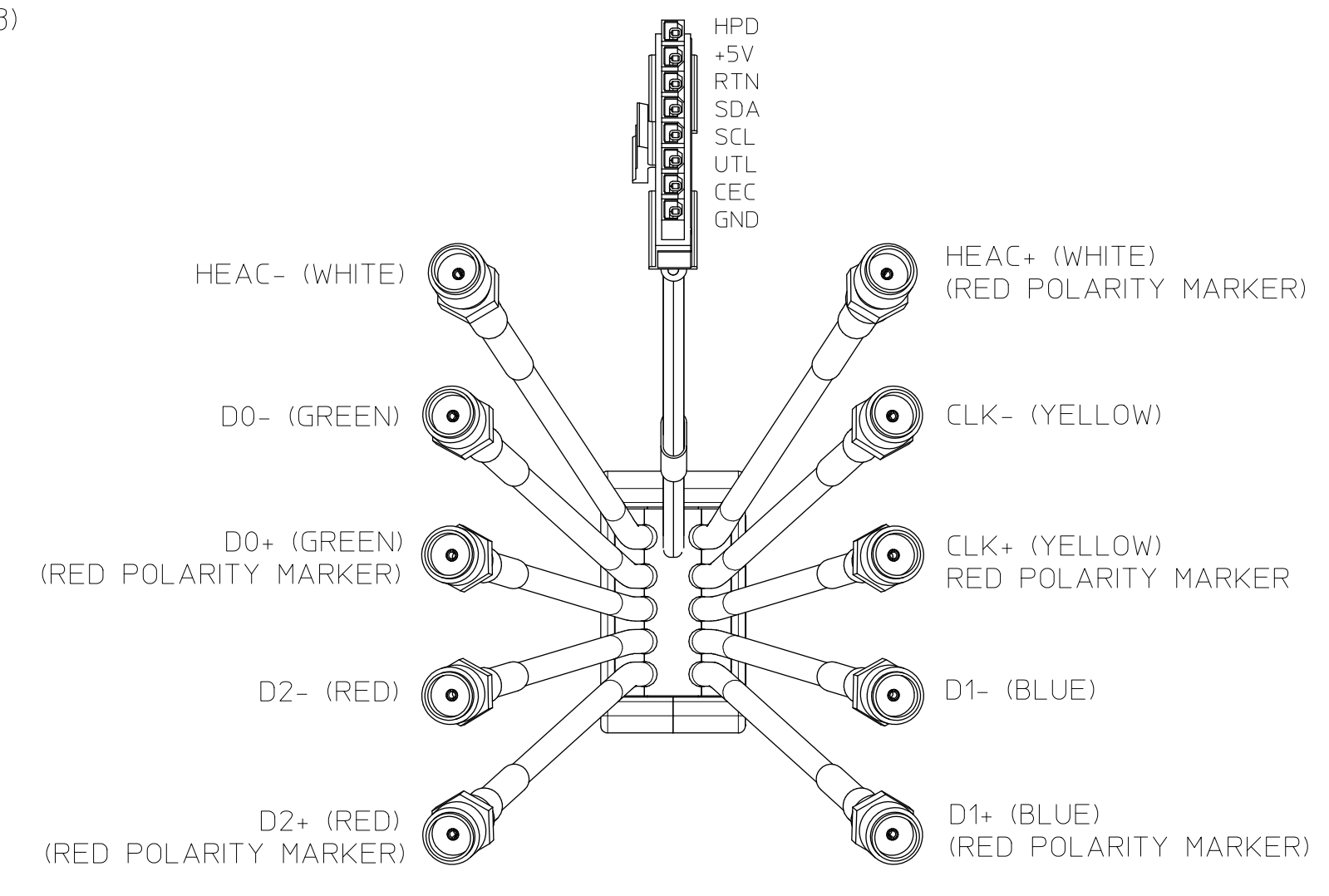


THIS DOCUMENT CONTAINS PROPRIETARY INFORMATION AND IS THE PROPERTY OF WILDER TECHNOLOGIES. THIS INFORMATION SHALL NOT BE REPRODUCED, TRANSFERRED TO OTHER DOCUMENTS, DISCLOSED TO OTHERS FOR MANUFACTURING OR ANY OTHER PURPOSE WITHOUT WRITTEN PERMISSION FROM WILDER TECHNOLOGIES.

REVISIONS				
REV	AUTH	DESCRIPTION	APVD DATE	CHK DATE
A	XXXX	INITIAL RELEASE	TD	3/17/10



8 POSITION LATCHING LOW-SPEED CABLE INTERFACE TO E-EDID (SEE NOTE 3)



3. THE LOW-SPEED INTERFACE CABLE ASSEMBLY CONTAINS A SEPARATE MATING PLUG AND CONTACT PINS TO ALLOW USERS TO CONNECT TO THIS ASSEMBLY.
 2. REFER TO THE USER'S MANUAL FOR DETAILED MECHANICAL AND ELECTRICAL SPECIFICATIONS.
 1. INTERPRET DIMENSIONS AND TOLERANCES PER ANSI Y14.5.
- NOTE: UNLESS OTHERWISE SPECIFIED

<small>UNLESS OTHERWISE SPECIFIED DIMENSIONS ARE INCHES (METRIC)</small> .XXX + .005 + .127 + .XX + .02 + .50 + .X + .12 + .3 + ANGLE + 1°		6101A East 18th St. Vancouver, WA 98661 Tel 360-859-3041 Fax 360-859-3105 www.wilder-tech.com
	DRAWN BY: T. DELUCCO CHECKED BY: APPROVED BY: MATERIAL:	DATE: 3/17/2010 DATE: DATE: DESCRIPTION:
FINISH:	SIZE PART NUMBER: D 600-1016-000_W	REV A
SCALE: 15:1 DO NOT SCALE DRAWING	SHEET 1 OF 1	