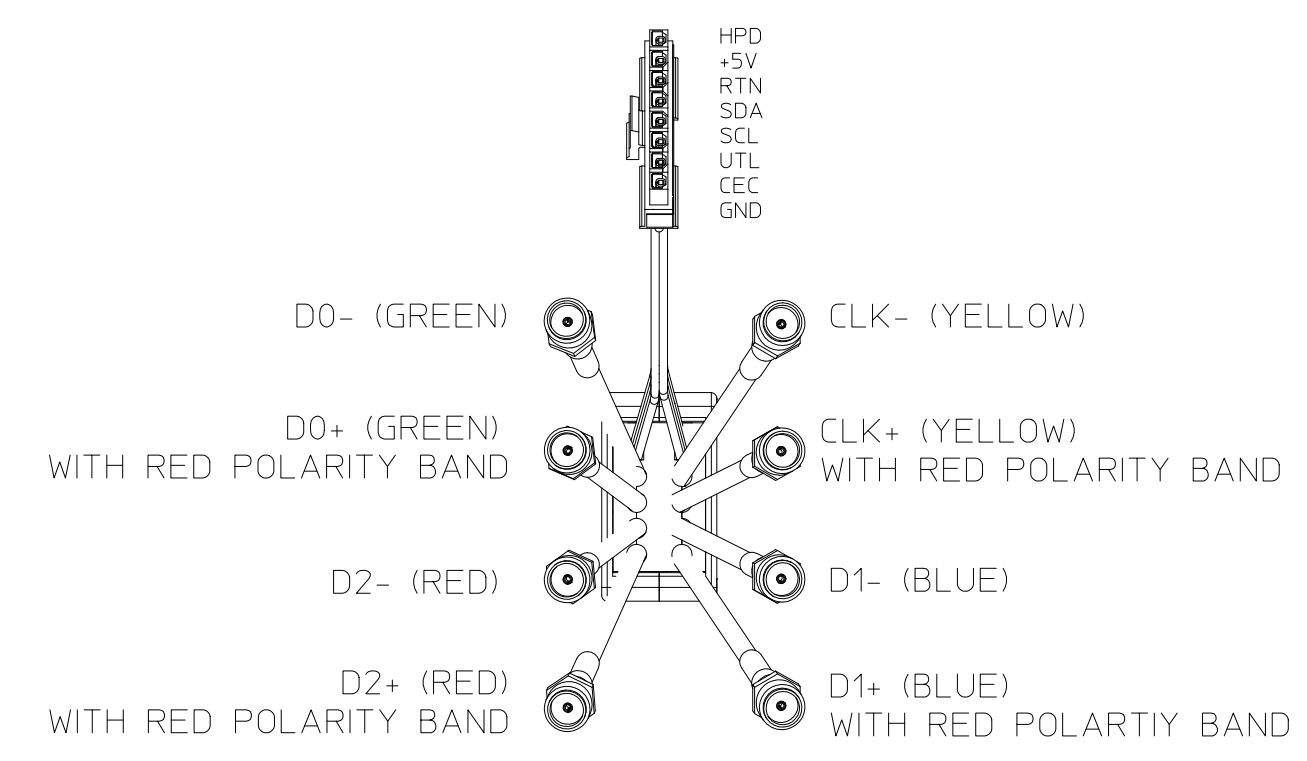
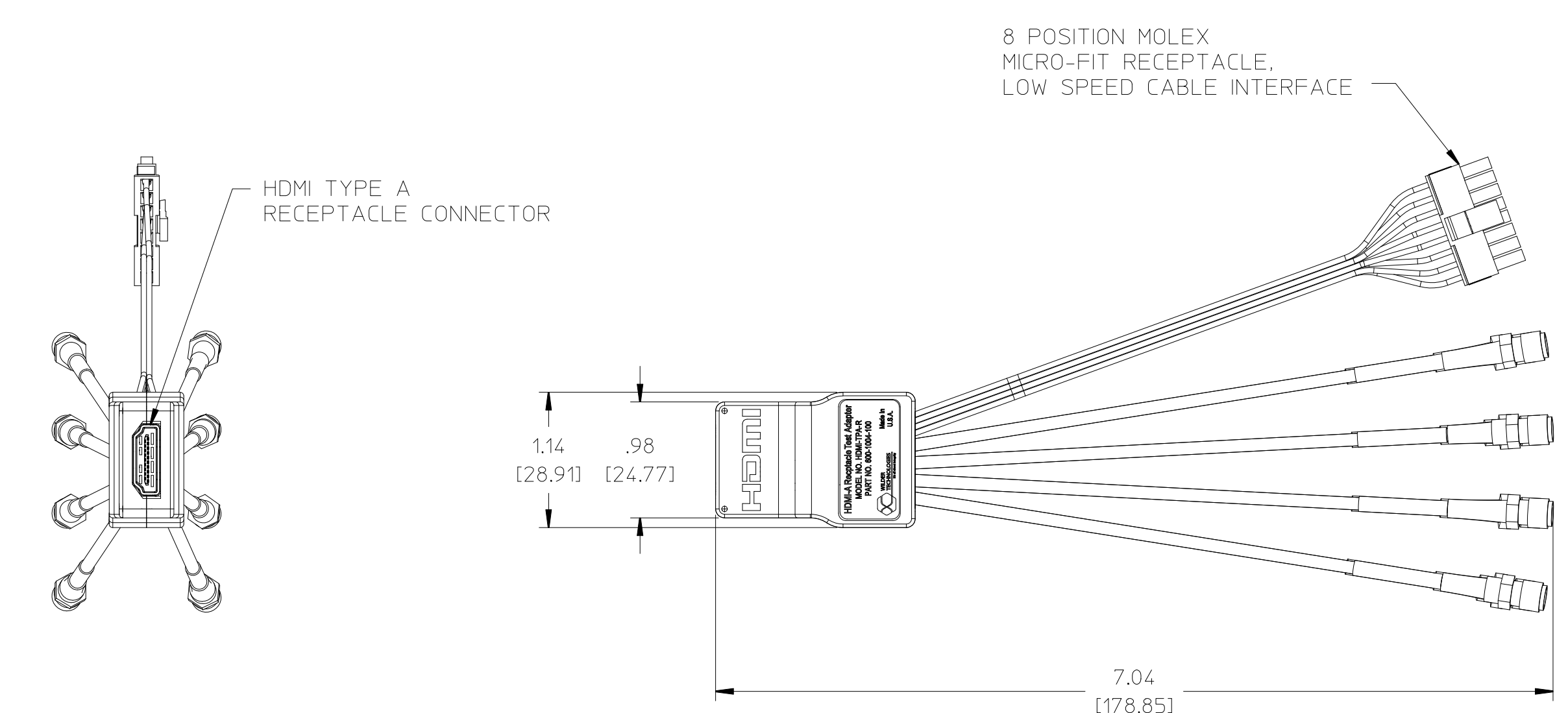
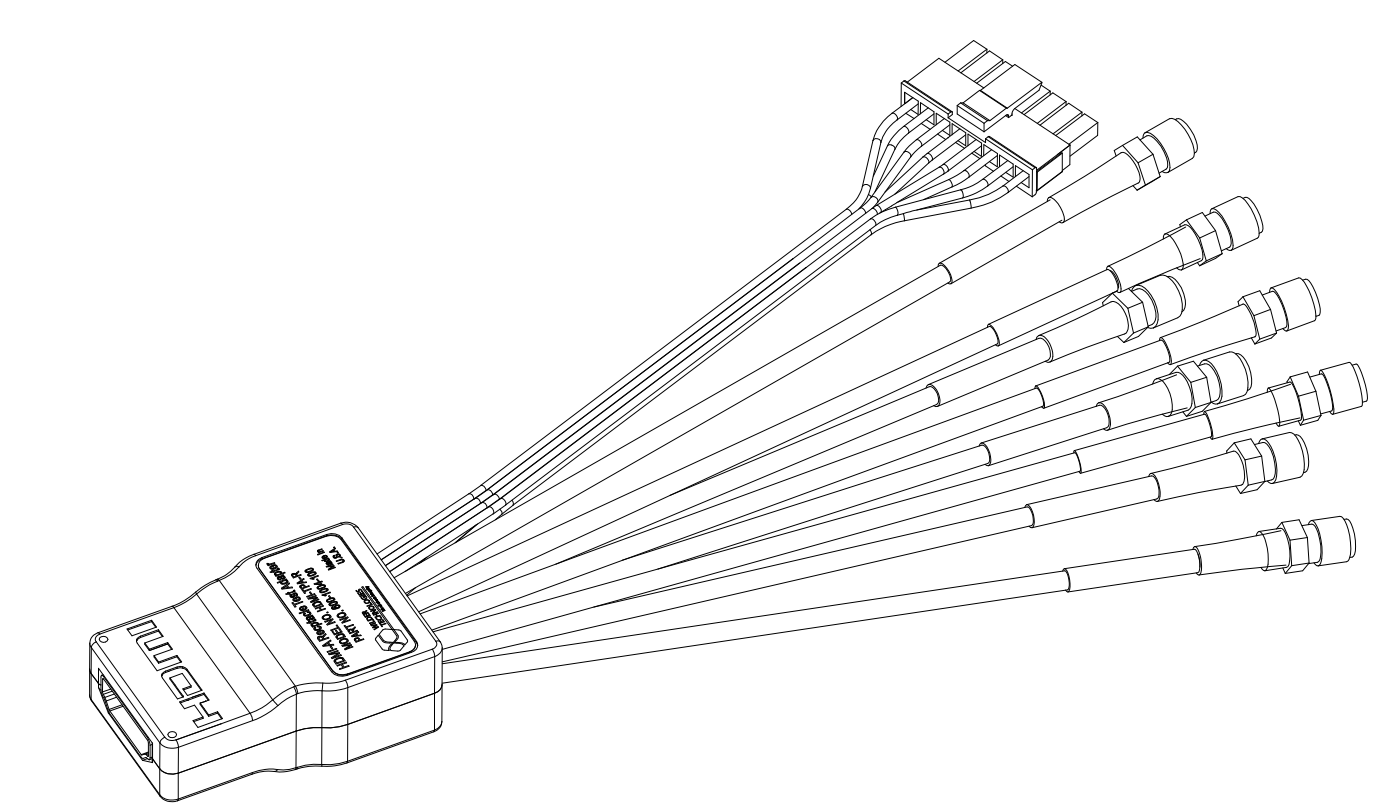
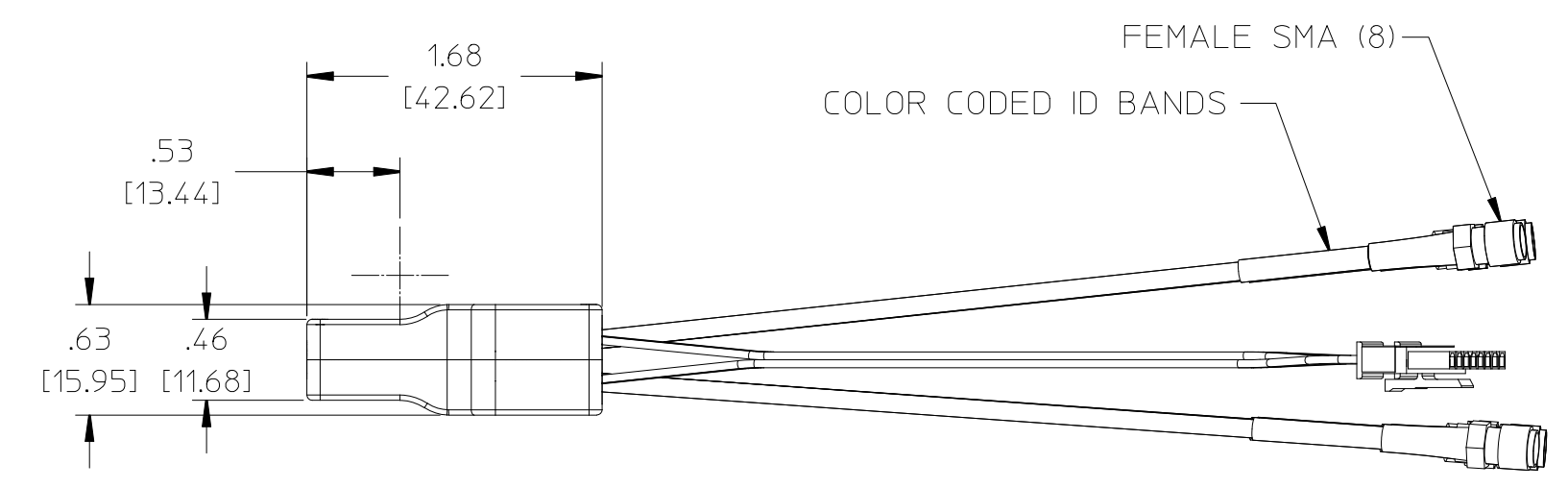


THIS DOCUMENT CONTAINS PROPRIETARY INFORMATION AND IS THE PROPERTY OF WILDER TECHNOLOGIES. THIS INFORMATION SHALL NOT BE REPRODUCED, TRANSFERRED TO OTHER DOCUMENTS, DISCLOSED TO OTHERS FOR MANUFACTURING OR ANY OTHER PURPOSE WITHOUT WRITTEN PERMISSION FROM WILDER TECHNOLOGIES.

REVISIONS				
REV	AUTH	DESCRIPTION	APVD DATE	CHK DATE



3. THE LOW SPEED INTERFACE CABLE ASSEMBLY HAS A SEPARATE INTERFACE PLUG AND CONTACTS SUPPLIED TO ALLOW USERS TO CONNECT TO THIS ASSEMBLY.
 2. REFER TO THE USERS MANUAL FOR DETAILED MECHANICAL AND ELECTRICAL SPECIFICATIONS.
 1. INTERPRET DIMENSIONS AND TOLERANCES PER ANSI Y14.5.
- NOTE: UNLESS OTHERWISE SPECIFIED

UNLESS OTHERWISE SPECIFIED DIMENSIONS ARE INCHES (METRIC)		6101A East 18th St. Vancouver, WA 98661	
XXX ± .005 ± .127 ±		Tel: 360-859-3041 Fax: 360-859-3105 www.wildertechnologies.com	
XX ± .01 ± .25 ±		DRAWN BY: W. STANLEY	DATE: 5/21/2013
X ± .12 ± .3 ±		CHECKED BY:	DATE:
ANGLE ± °		APPROVED BY:	DATE:
MATERIAL:		DESCRIPTION: FINAL ASSEMBLY, HDMI-A RECEPTACLE HDMI-TPA-R	
FINISH:		SIZE PART NUMBER: D 600-1004-100	REV A
SCALE: 1:1	DO NOT SCALE DRAWING	SHEET 3 OF 3	