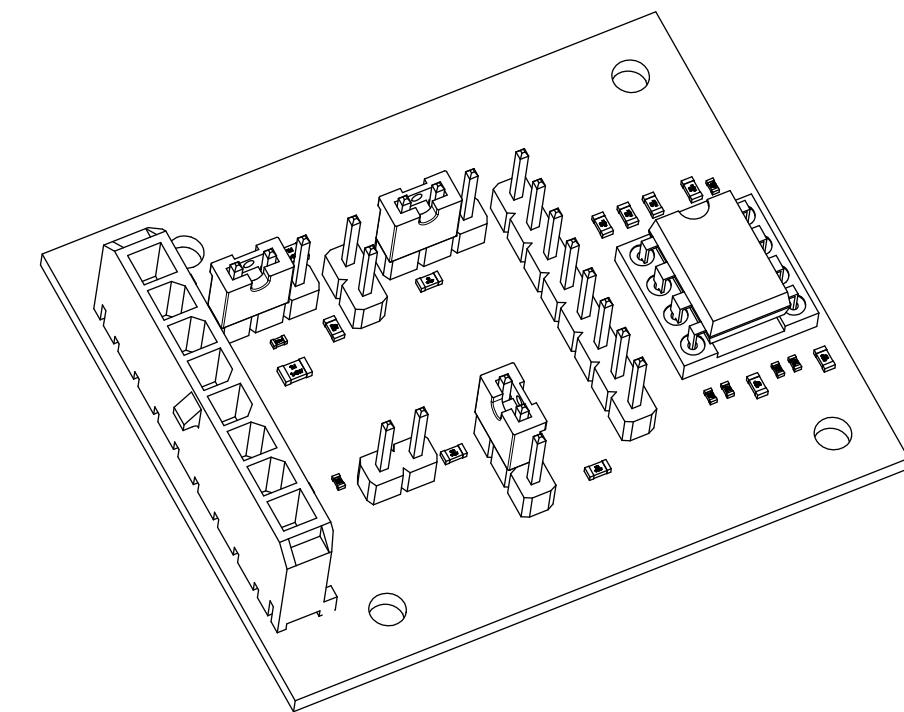
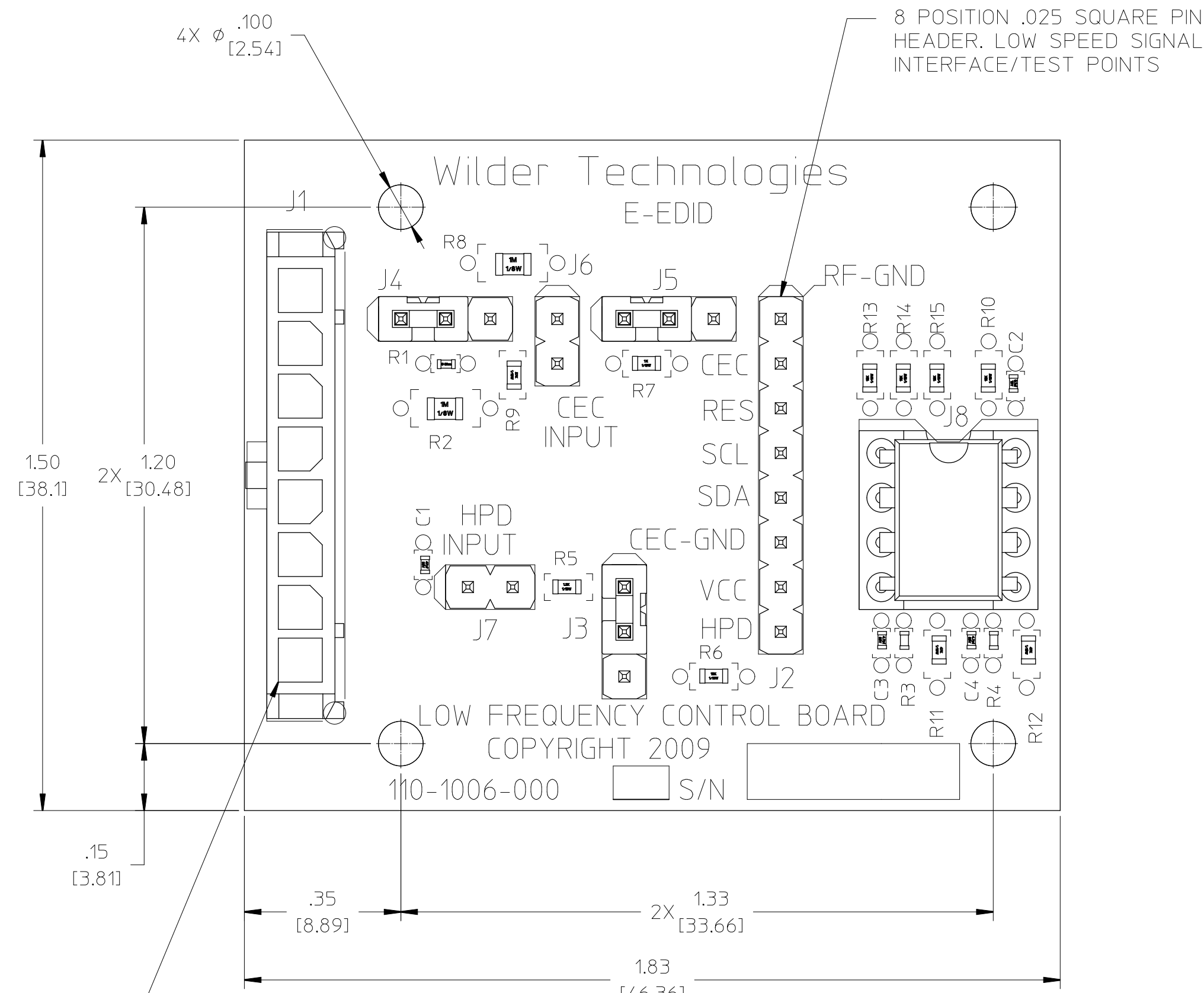


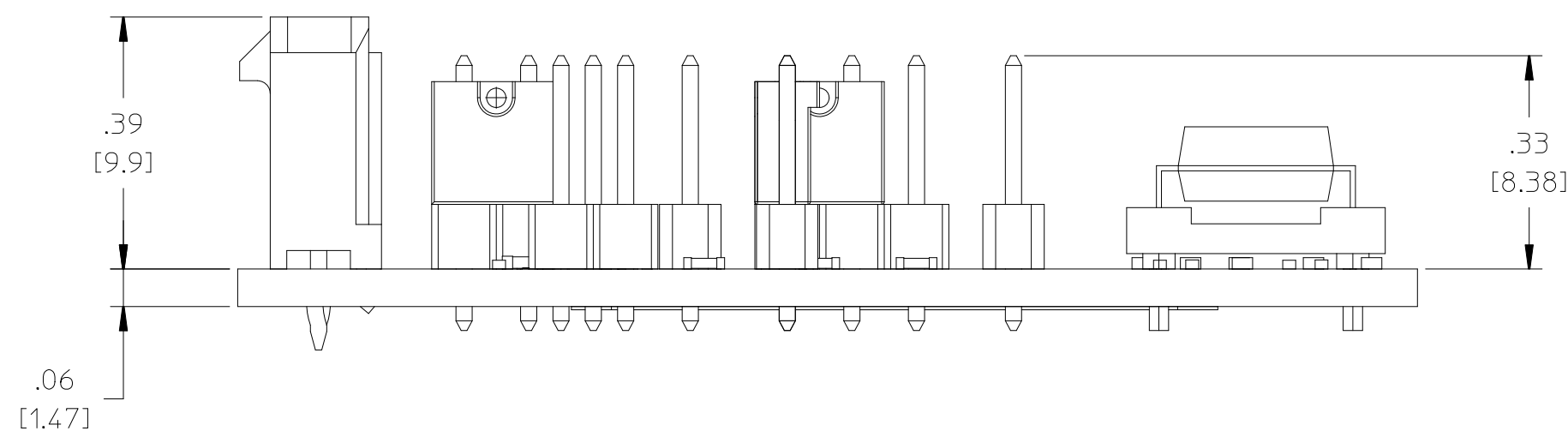
REVISIONS

REV	AUTH	DESCRIPTION	APVD DATE	CHK DATE
A	ECNXXXX	PRELIMINARY RELEASE		5/22/13
B	ECNXXXX	PROM UPDATE		12/02/10
C	ECNXXXX	SINC BILL OF MATERIALS WITH DRAWING REVISION		5/31/13



GENERAL VIEW A  
SCALE 2:1

8 POSITION MOLEX MICRO-FIT  
PLUG HEADER. LOW SPEED SIGNAL  
INTERFACE.



5. LEAD FREE PROCESSES USED. COMPLIES WITH EC DIRECTIVE 2002/95/EC (RoHS DIRECTIVE) RESTRICTIVE USE OF HAZARDOUS SUBSTANCES.
  4. ITEM 14 JUMPER SHUNTS DFAULT POSITION, INSTALLED OVER PINS 1&2 ON J3, J4,& J5.
  3. REFER TO USERS MANUAL FOR DETAIL MECHANICAL AND ELECTRICAL SPECIFICATIONS.
  2. REFER ALL ITEMS TO BILL OF MATERIALS, SAME NUMBER AS THIS DRAWING.
  1. INTERPRET DIMENSIONS AND TOLERANCES PER ANSI Y14.5
- NOTE: UNLESS OTHERWISE SPECIFIED

UNLESS OTHERWISE SPECIFIED DIMENSIONS ARE INCHES (METRIC)		6101A East 18th St. Vancouver, WA 98661 Tel: 360-859-3041 Fax: 360-859-3105 www.wilder-tech.com	
.XXX ± .005 ± .127 ±	.XX ± .01 ± .25 ±	DRAWN BY: W. STANLEY DATE: 05/22/2013	
.X ± .12 ± .3 ±	ANGLE ± 1° 1°	CHECKED BY: DATE:	
MATERIAL:		APPROVED BY: DATE:	
FINISH:		DESCRIPTION: ASSEMBLY, ECB, HDMI, E-EDID HDMI-TPA-E	
SIZE	PART NUMBER:	REV	
<b>C</b>	600-1006-000	<b>C</b>	
SCALE: 4:1	DO NOT SCALE DRAWING	SHEET 1 OF 1	