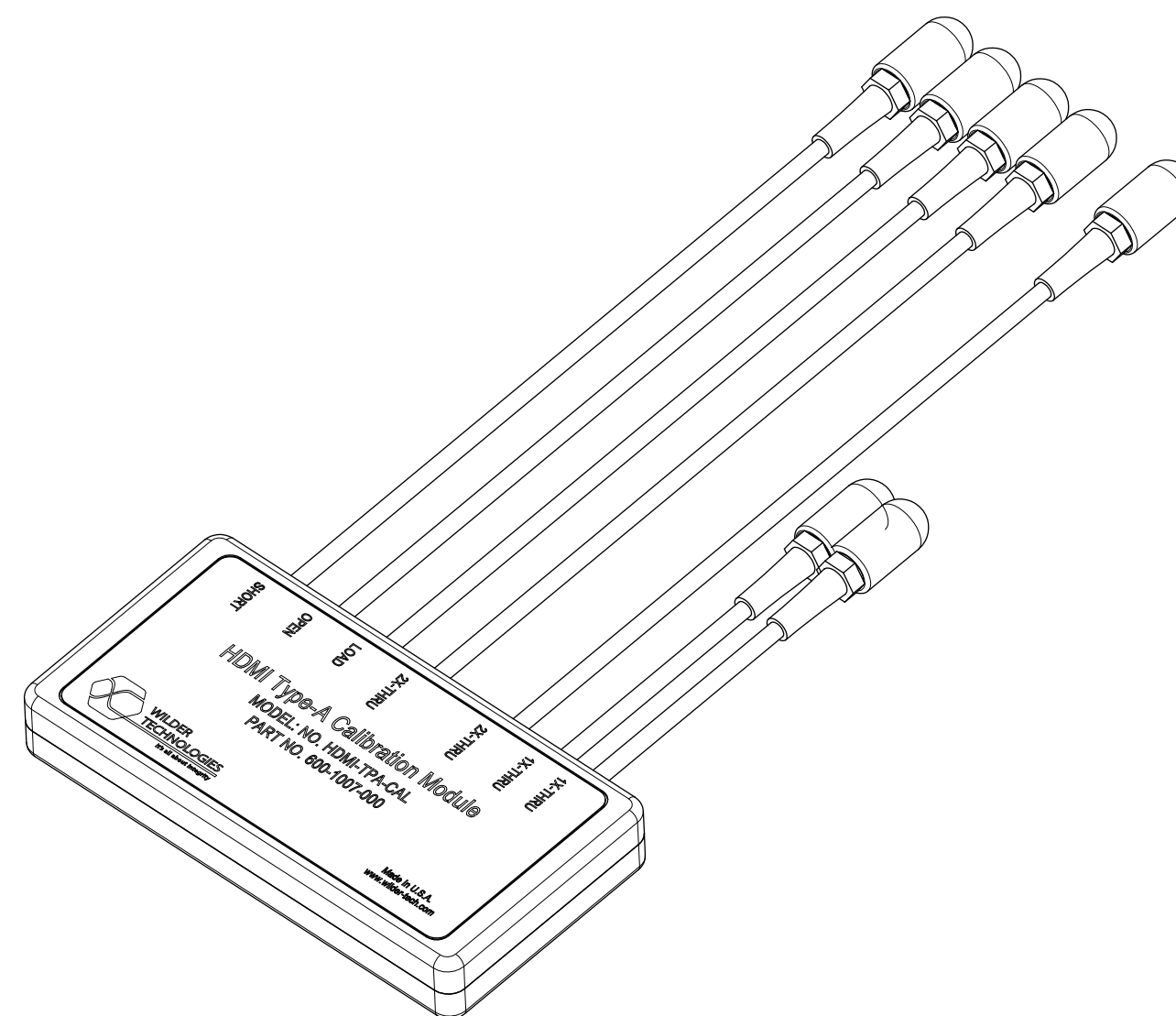
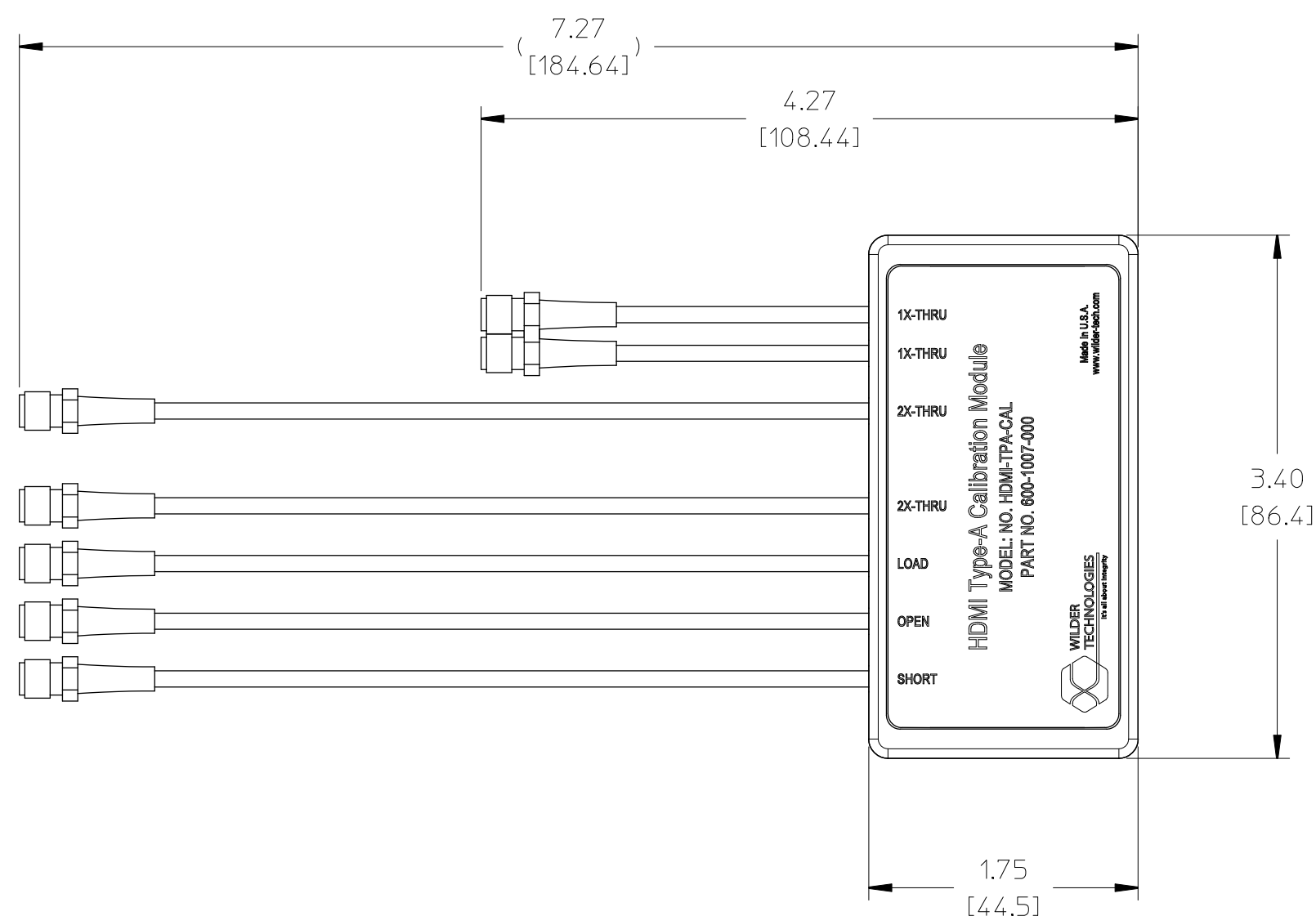
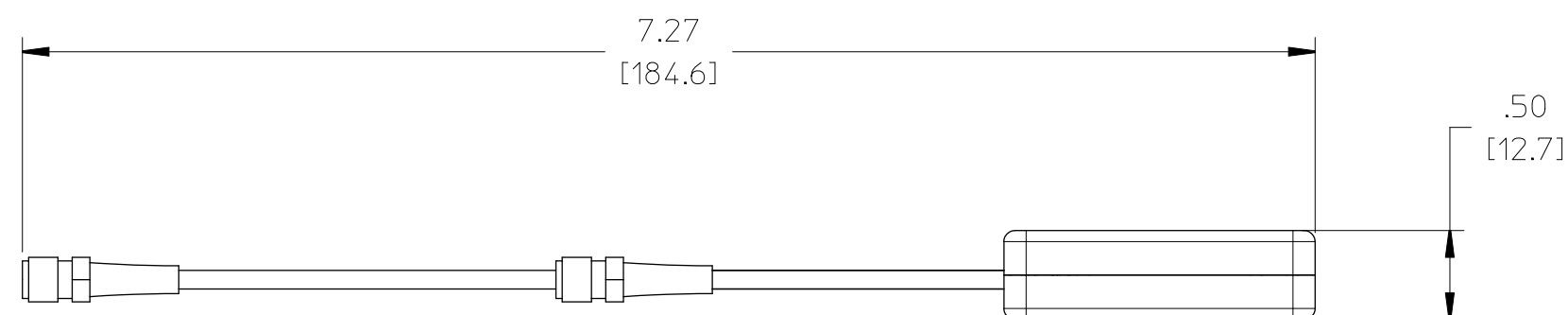


REVISIONS

REV	AUTH	DESCRIPTION	APVD DATE	CHK DATE
A	ECNXXXX	PRELIMINARY RELEASE		7/7/09




GENERAL VIEW A

2. REFER TO THE USERS MANUAL FOR DETAILED MECHANICAL AND ELECTRICAL SPECIFICATIONS.

1. INTERPRET DIMENSIONS AND TOLERANCES PER ANSI Y14.5.

NOTE: UNLESS OTHERWISE SPECIFIED

UNLESS OTHERWISE SPECIFIED DIMENSIONS ARE INCHES (METRIC)		 6101A East 18th St. Vancouver, WA 98661 Tel: 360-859-3041 Fax: 360-859-3105 www.wilder-tech.com	
.XXX ± .005 ± .127 ±	.XX ± .01 ± .25 ±	DRAWN BY: W. STANLEY DATE: 7/7/09	
.X ± .12 ± .3 ±	ANGLE ± 1° 1°	CHECKED BY: DATE:	
MATERIAL:	APPROVED BY:	DESCRIPTION: FINAL ASSEMBLY, HDMI-A CALIBRATION MODULE HDMI-TPA-C	
FINISH:	SIZE PART NUMBER: C 600-1007-000_W	REV A	
SCALE: 1:1		DO NOT SCALE DRAWING SHEET 1 OF 1	