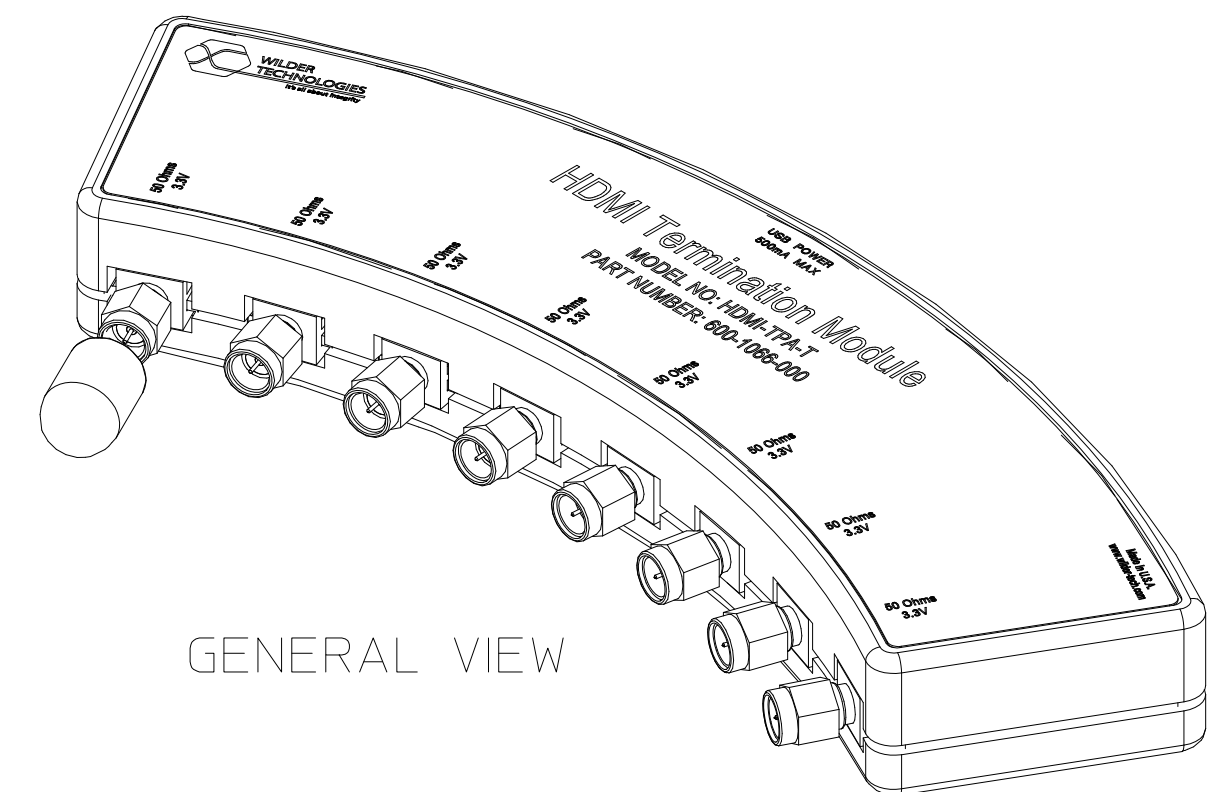
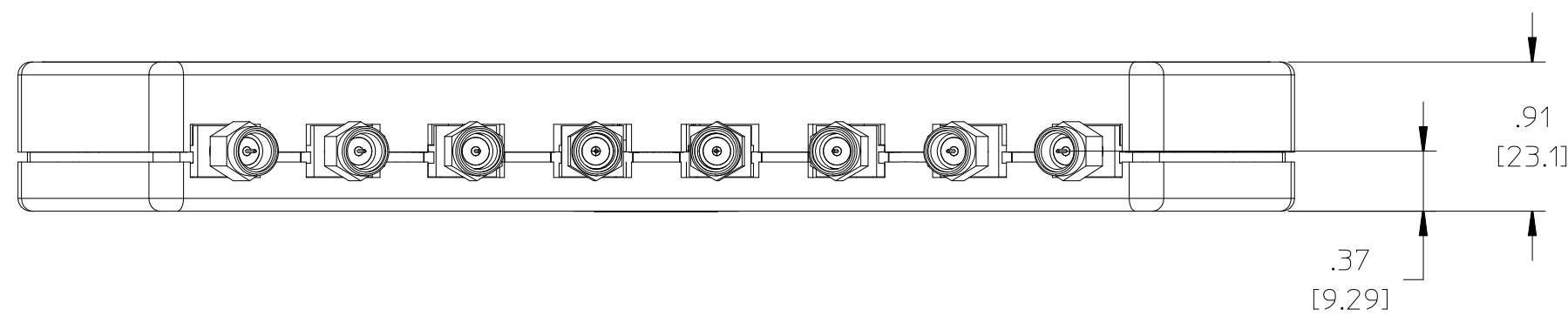
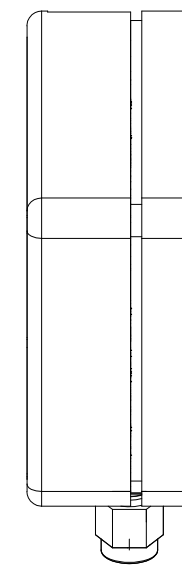
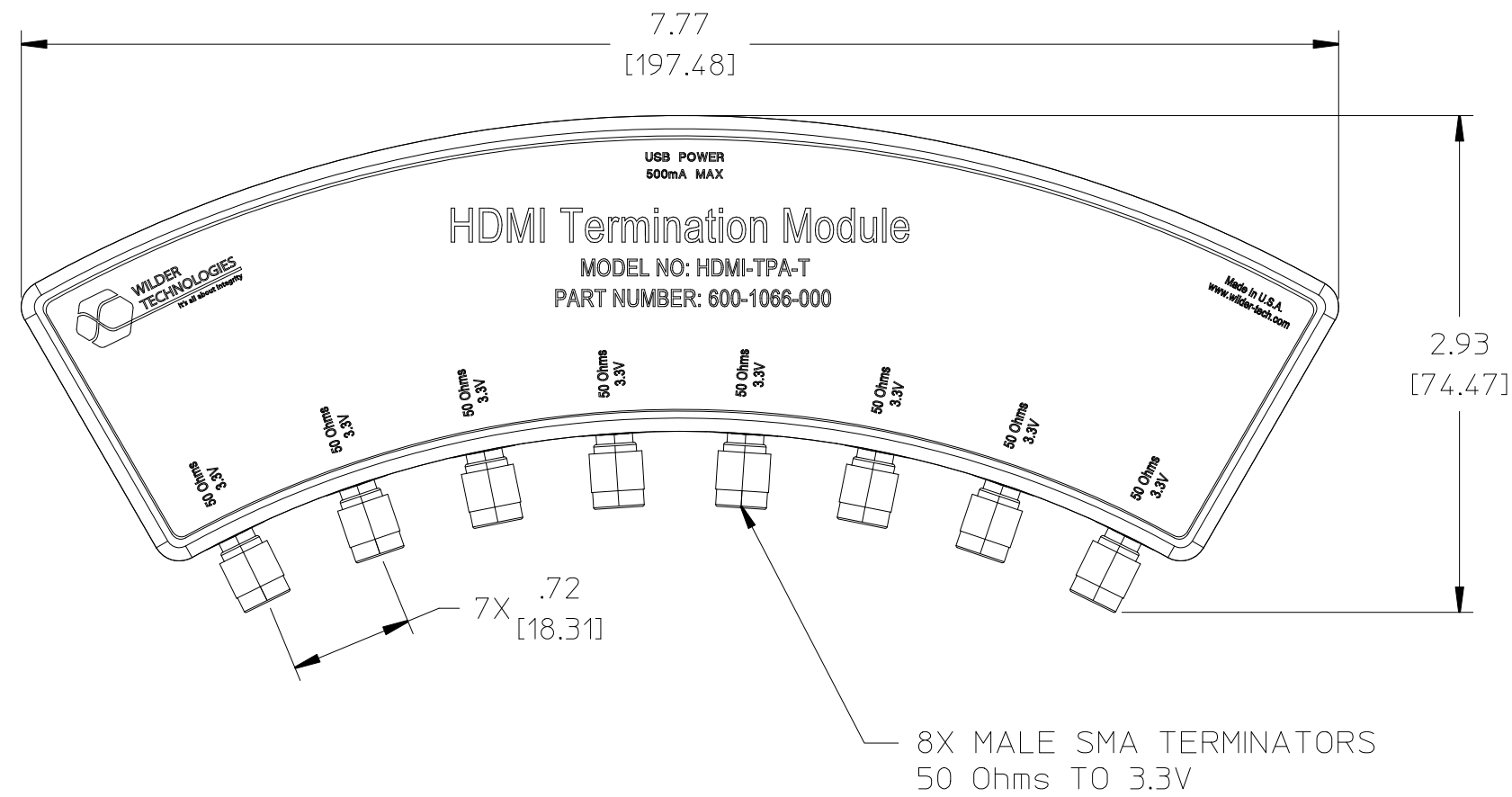
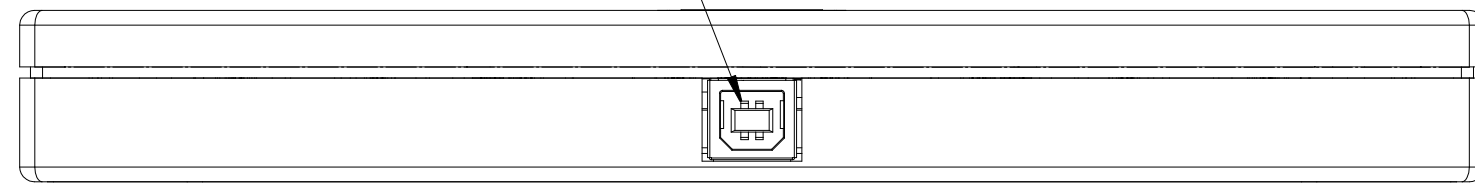


REVISIONS				
REV	AUTH	DESCRIPTION	APVD DATE	CHK DATE
A	ECNXXXX	PRELIMINARY RELEASE		8-2-11

USB TYPE B RECEPTACLE FOR POWER INPUT



NOTE: UNLESS OTHERWISE SPECIFIED

- REFER TO THE HDMI USERS MANUAL FOR DETAILED MECHANICAL AND ELECTRICAL SPECIFICATIONS.
- INTERPRET DIMENSIONS AND TOLERANCES PER ANSI Y14.5.

UNLESS OTHERWISE SPECIFIED DIMENSIONS ARE INCHES [METRIC]		6101A East 18th St. Vancouver, WA 98661 Tel: 360-859-3041 Fax: 360-859-3105 www.wilder-tech.com	
.XXX ± .005 ± .127 ±		DRAWN BY: W. STANLEY	DATE: 8-2-11
.XX ± .01 ± .25 ±		CHECKED BY:	DATE:
.X ± .12 ± .3 ±		APPROVED BY:	DATE:
ANGLE ± 1°	1°	DESCRIPTION: FINAL ASSEMBLY, 8 POSITION HDMI TERMINATOR ARRAY HDMI-TPA-T	
FINISH:	SIZE: C	PART NUMBER: 600-1066-000	REV: A
SCALE: 1:1		DO NOT SCALE DRAWING	SHEET 1 OF 2