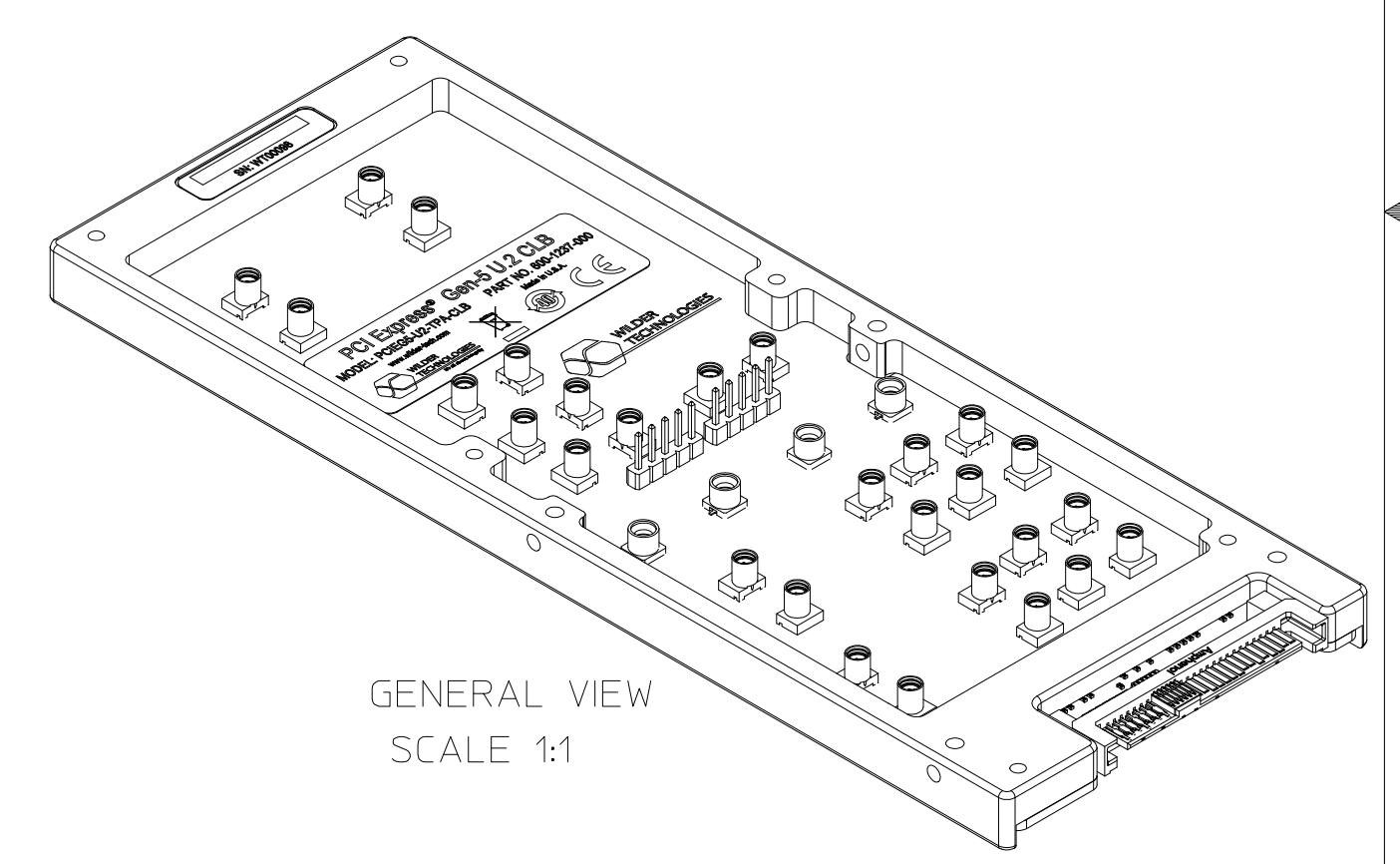
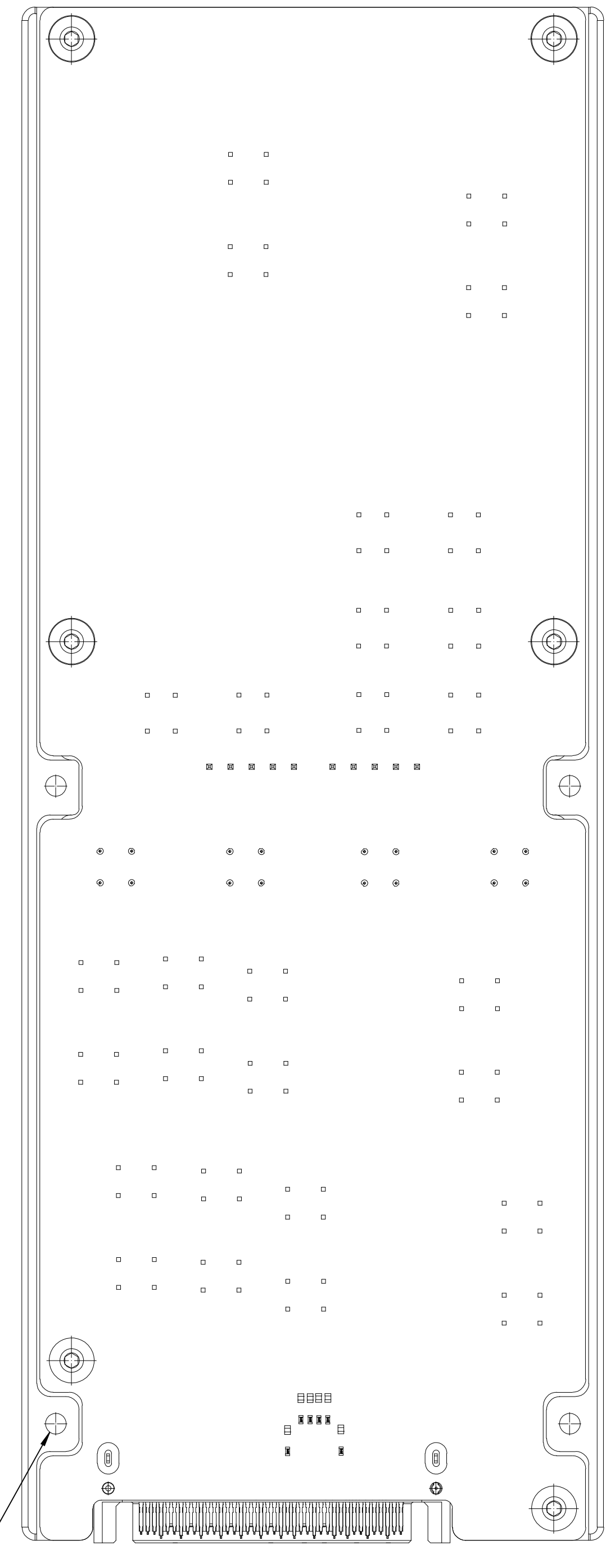
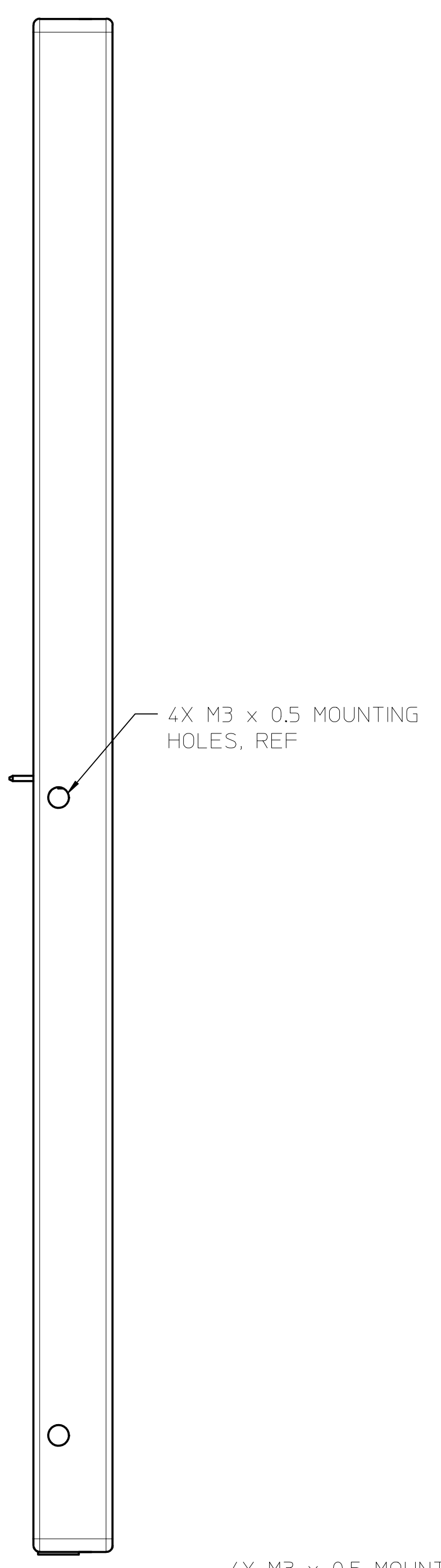
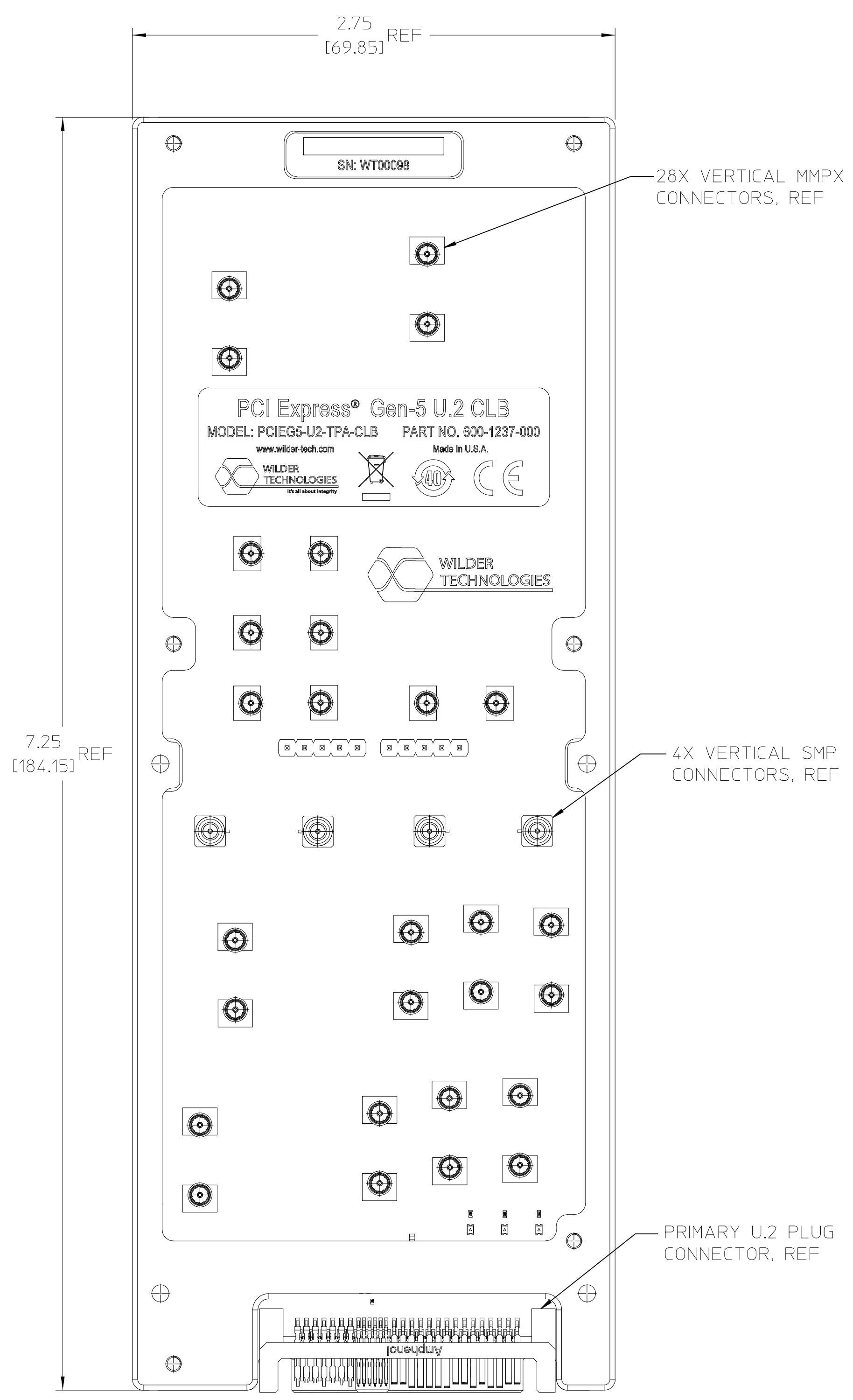
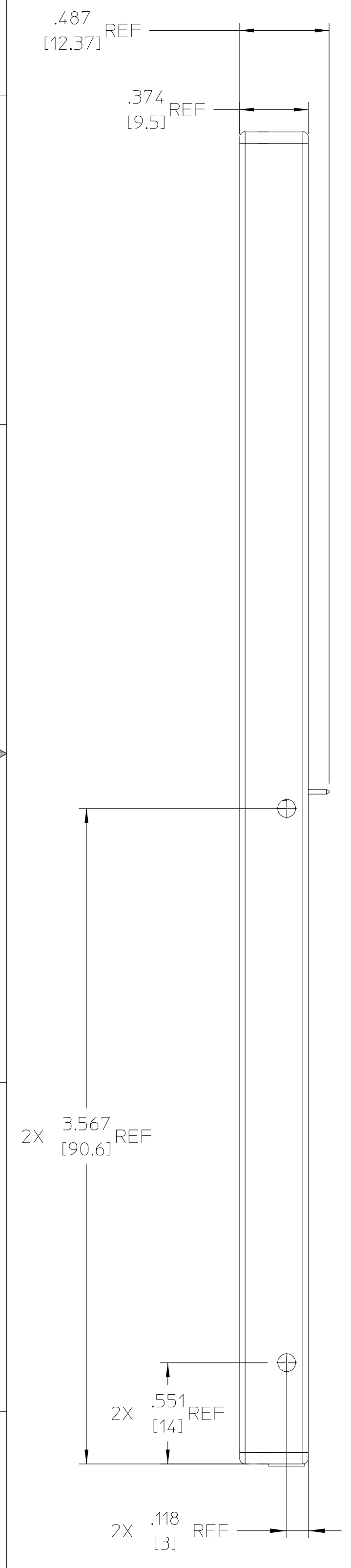


THIS DOCUMENT CONTAINS PROPRIETARY INFORMATION AND IS THE PROPERTY OF WILDER TECHNOLOGIES. THIS INFORMATION SHALL NOT BE REPRODUCED, TRANSFERRED TO OTHER DOCUMENTS, DISCLOSED TO OTHERS FOR MANUFACTURING OR ANY OTHER PURPOSE WITHOUT WRITTEN PERMISSION FROM WILDER TECHNOLOGIES.

REVISIONS				
REV	AUTH	DESCRIPTION	APVD DATE	CHK DATE
A	ECNXXXX	INITIAL RELEASE	JC	5/25/23



- NOTE: UNLESS OTHERWISE SPECIFIED
1. INTERPRET DIMENSIONS AND TOLERANCES PER ANSI Y14.5.
 2. LEAD-FREE PROCESSES ARE USED IN PRODUCING THIS PRODUCT. PRODUCT IS COMPLIANT WITH EC DIRECTIVE 2011/65/EU(RoHS2 DIRECTIVE) RESTRICTIVE, USE OF HAZARDOUS SUBSTANCES.
 3. REFER TO USER MANUAL FOR DETAILED MECHANICAL AND ELECTRICAL SPECIFICATIONS.
 4. INFORMATION SHOWN IS FOR REFERENCE ONLY AND IS SUBJECT TO CHANGE.

UNLESS OTHERWISE SPECIFIED DIMENSIONS ARE INCHES [METRIC]		6101A East 18th St. Vancouver, WA 98661 Tel: 360-859-3041 Fax: 360-859-3105 www.wilder-tech.com	
.XXX + .005 + .027 +		DRAWN BY: J. CICHOSZ	DATE: 5/25/2023
.XX + .01 + .25 +		CHECKED BY:	DATE:
.X + .12 + .3 +		APPROVED BY:	DATE:
ANGLE + 1°		DESCRIPTION:	
		CUSTOMER REFERENCE DRAWING, PCIe GEN-5 U.2 CLB	
FINISH:	SIZE PART NUMBER: D 600-1237-000	REV A	
SCALE: 2:1		DO NOT SCALE DRAWING	SHEET 3 OF 3