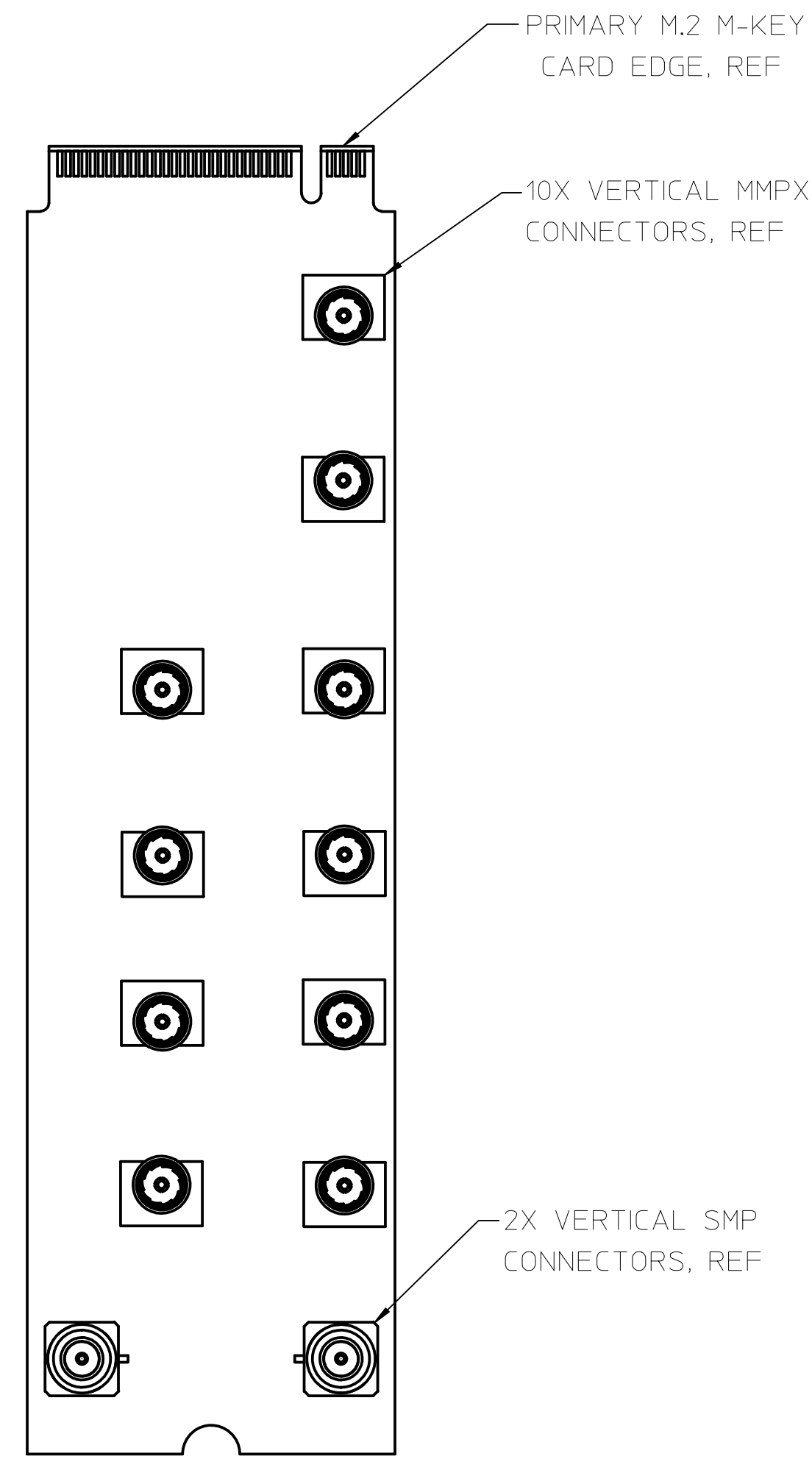
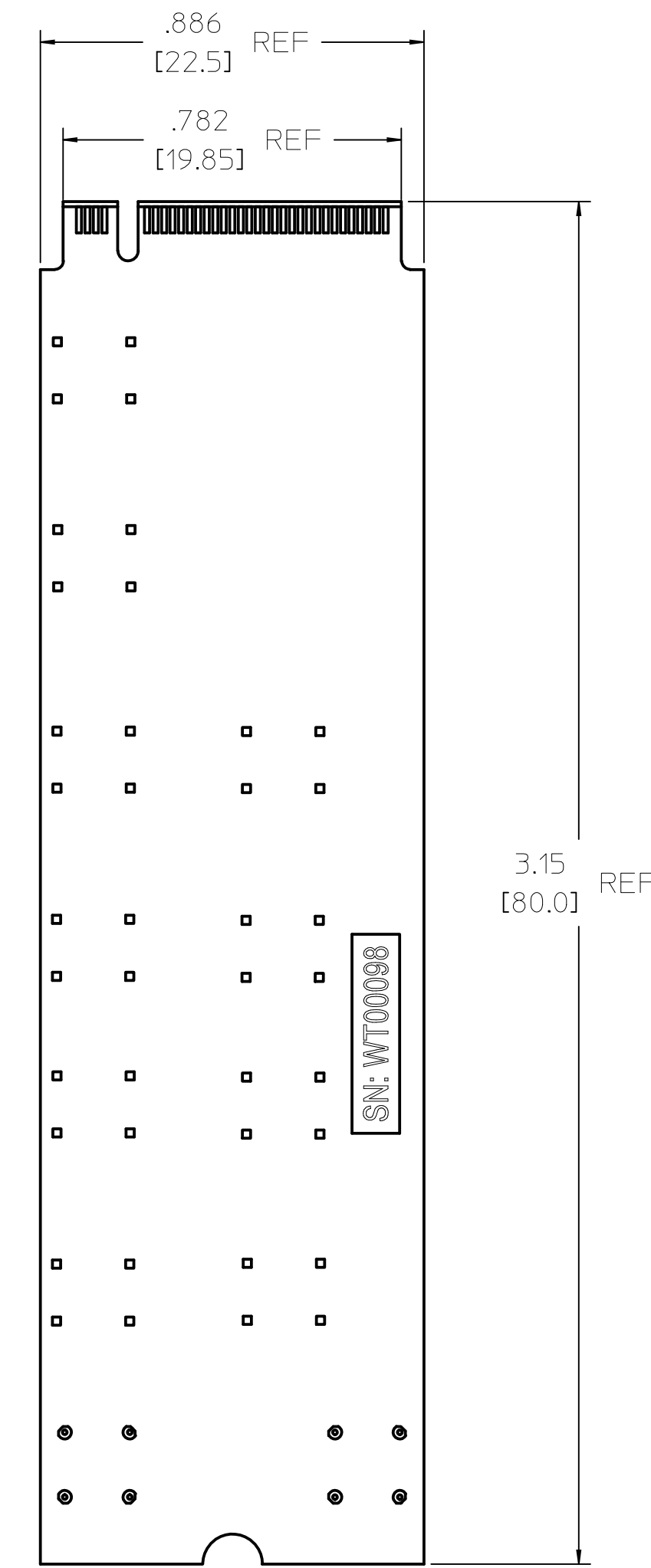
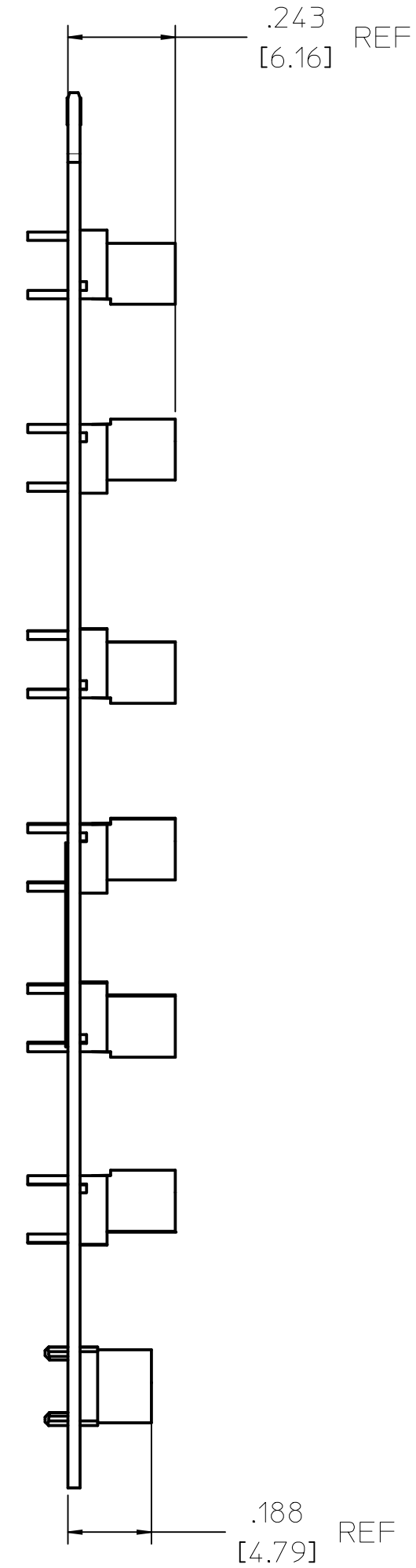


THIS DOCUMENT CONTAINS PROPRIETARY INFORMATION AND IS THE PROPERTY OF WILDER TECHNOLOGIES. THIS INFORMATION SHALL NOT BE REPRODUCED, TRANSFERRED TO OTHER DOCUMENTS, DISCLOSED TO OTHERS FOR MANUFACTURING OR ANY OTHER PURPOSE WITHOUT WRITTEN PERMISSION FROM WILDER TECHNOLOGIES.

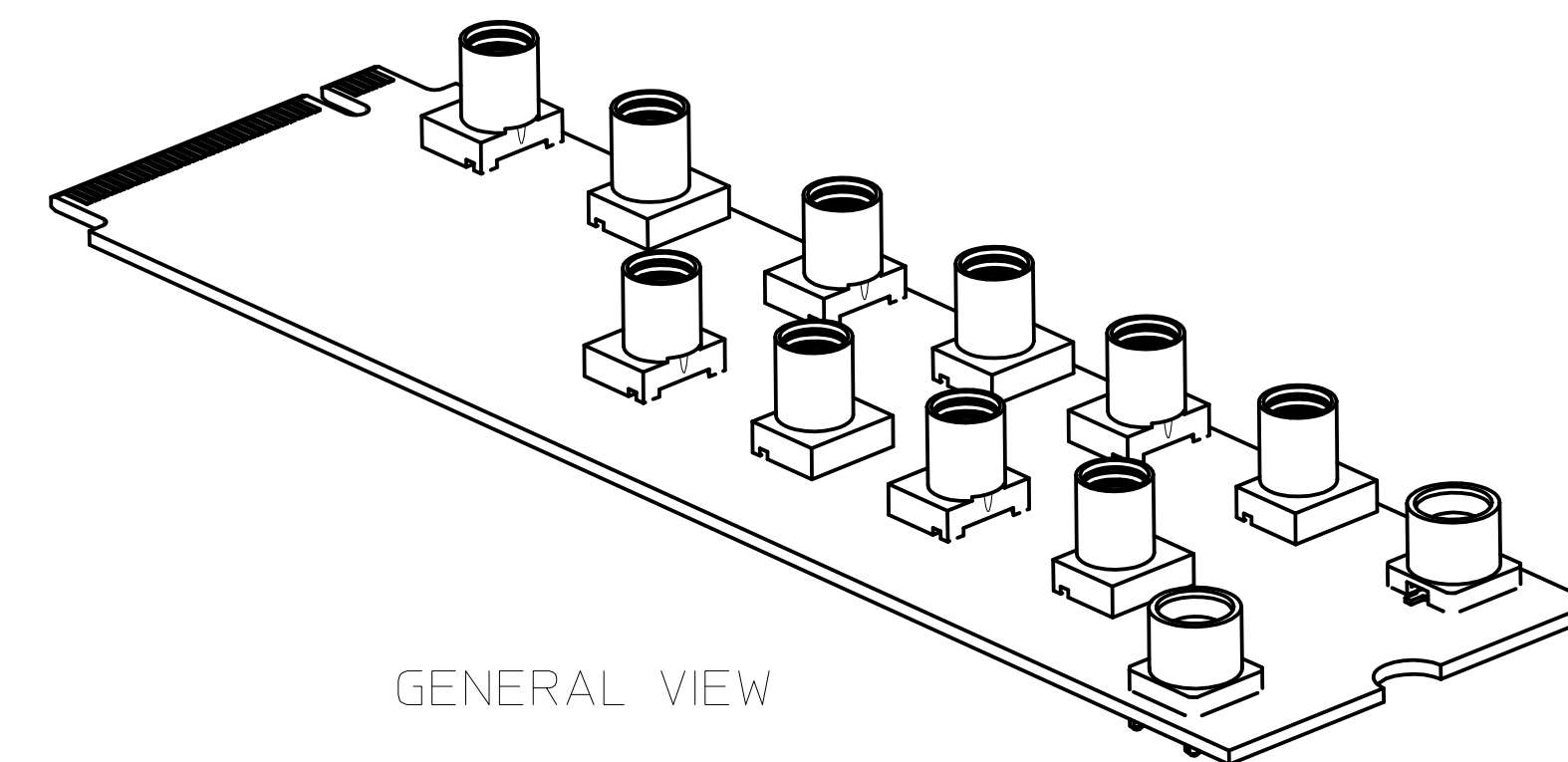
REVISIONS				
REV	AUTH	DESCRIPTION	APVD DATE	CHK DATE
A	ECNXXXX	INITIAL RELEASE	JC	12/13/22



PRIMARY SIDE



SECONDARY SIDE



GENERAL VIEW

- NOTE: UNLESS OTHERWISE SPECIFIED
1. INTERPRET DIMENSIONS AND TOLERANCES PER ANSI Y14.5.
 2. LEAD-FREE PROCESSES REQUIRED. MUST COMPLY WITH EC DIRECTIVE 2011/65/EU AND AMENDMENT DIRECTIVE (EU) 2015/863(RoHS2 DIRECTIVE) RESTRICTIVE USE OF HAZARDOUS SUBSTANCES.
 3. REFER TO USER MANUAL FOR DETAILED MECHANICAL AND ELECTRICAL SPECIFICATIONS.
 4. INFORMATION SHOWN IS FOR REFERENCE ONLY AND IS SUBJECT TO CHANGE.

UNLESS OTHERWISE SPECIFIED DIMENSIONS ARE INCHES [METRIC]		6101 A East 18th St. Vancouver, WA 98661 Tel: 360-859-3041 Fax: 360-859-3105 www.wilder-tech.com	
.XXX + .005 + .027 +	.XX + .01 + .25 +	DRAWN BY: J. CICHOSZ DATE: 12/13/22	
.X + .12 + .3 +	ANGLE + 1°	CHECKED BY: DATE:	
MATERIAL:		APPROVED BY: DATE:	
FINISH:		DESCRIPTION:	
		ASSY, ECB, PCIe M.2 SOCKET 3 GEN-5 CLB PLUG, RX2-3 AND TX2-3 CHANNELS, CUSTOMER REFERENCE DRAWING	
SIZE: D	PART NUMBER: 110-1246-200	REV: A	
SCALE: 3:1	DO NOT SCALE DRAWING	SHEET 3 OF 3	