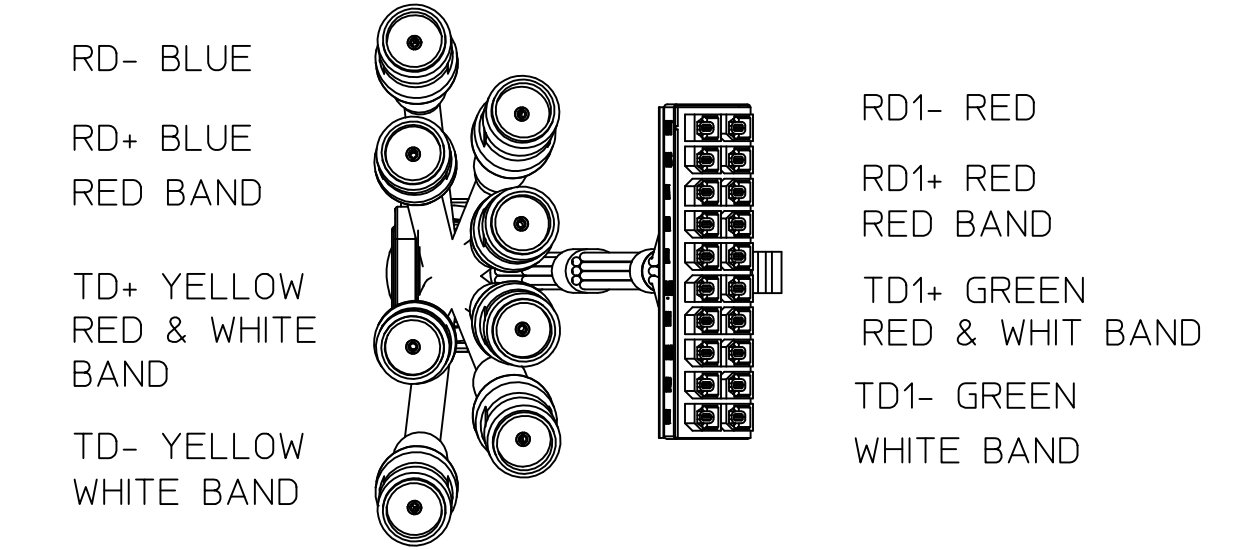
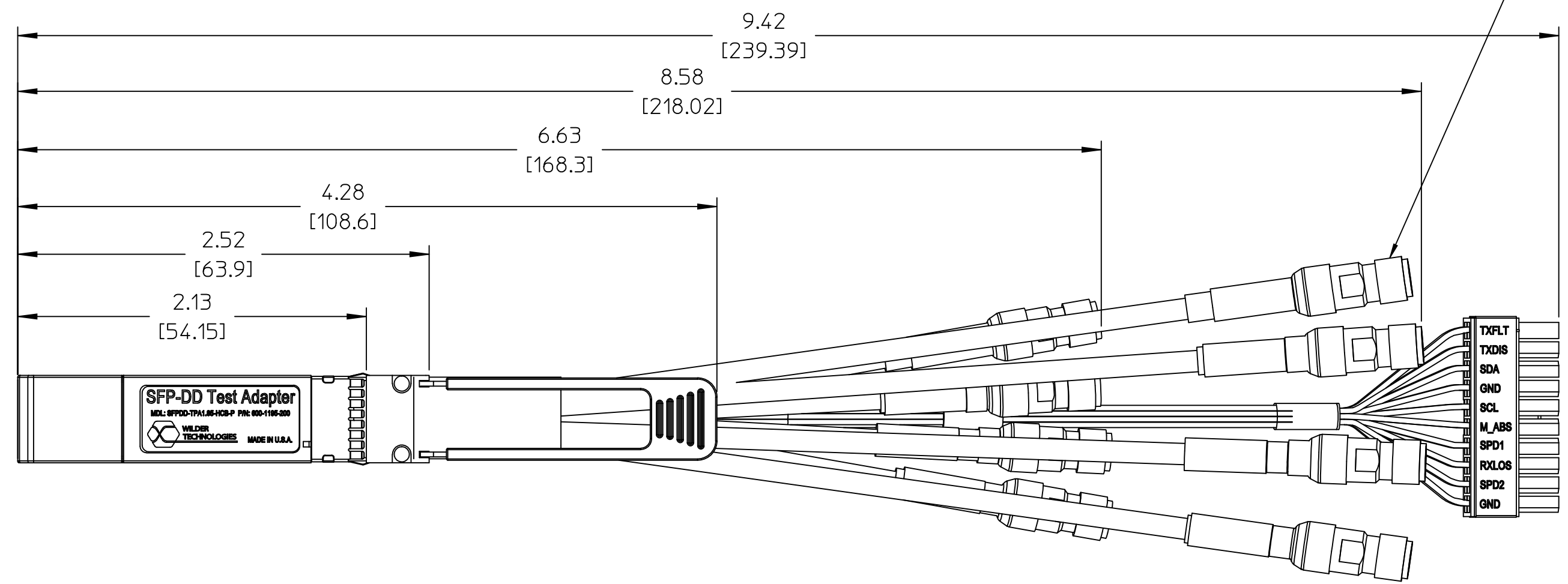


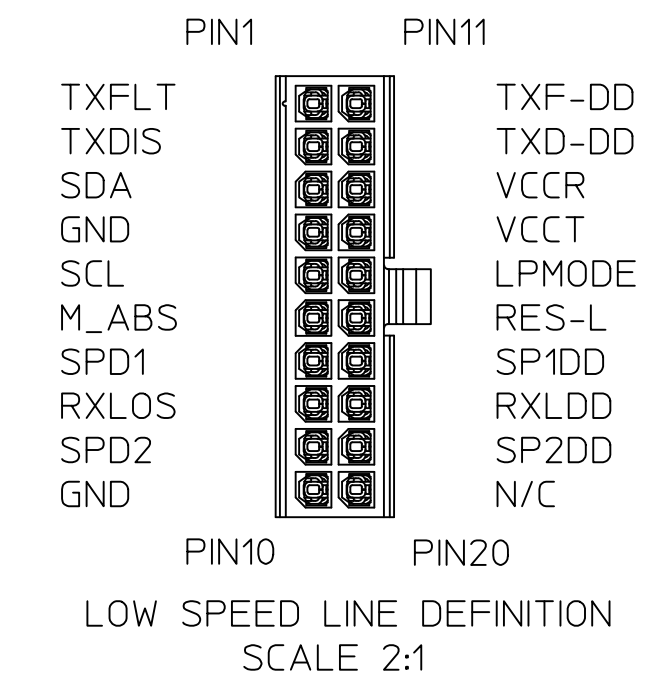
THIS DOCUMENT CONTAINS PROPRIETARY INFORMATION AND IS THE PROPERTY OF WILDER TECHNOLOGIES. THIS INFORMATION SHALL NOT BE REPRODUCED, TRANSFERRED TO OTHER DOCUMENTS, DISCLOSED TO OTHERS FOR MANUFACTURING OR ANY OTHER PURPOSE WITHOUT WRITTEN PERMISSION FROM WILDER TECHNOLOGIES.

REVISIONS				
REV	AUTH	DESCRIPTION	APVD DATE	CHK DATE
A	ECNXXXX	PRELIMINARY RELEASE		1/4/2021
B	ECNXXXX	UPDATE CABLE DATA		1/7/2022
C	ECNXXXX	UPDATE CABLE DATA		7/12/2022

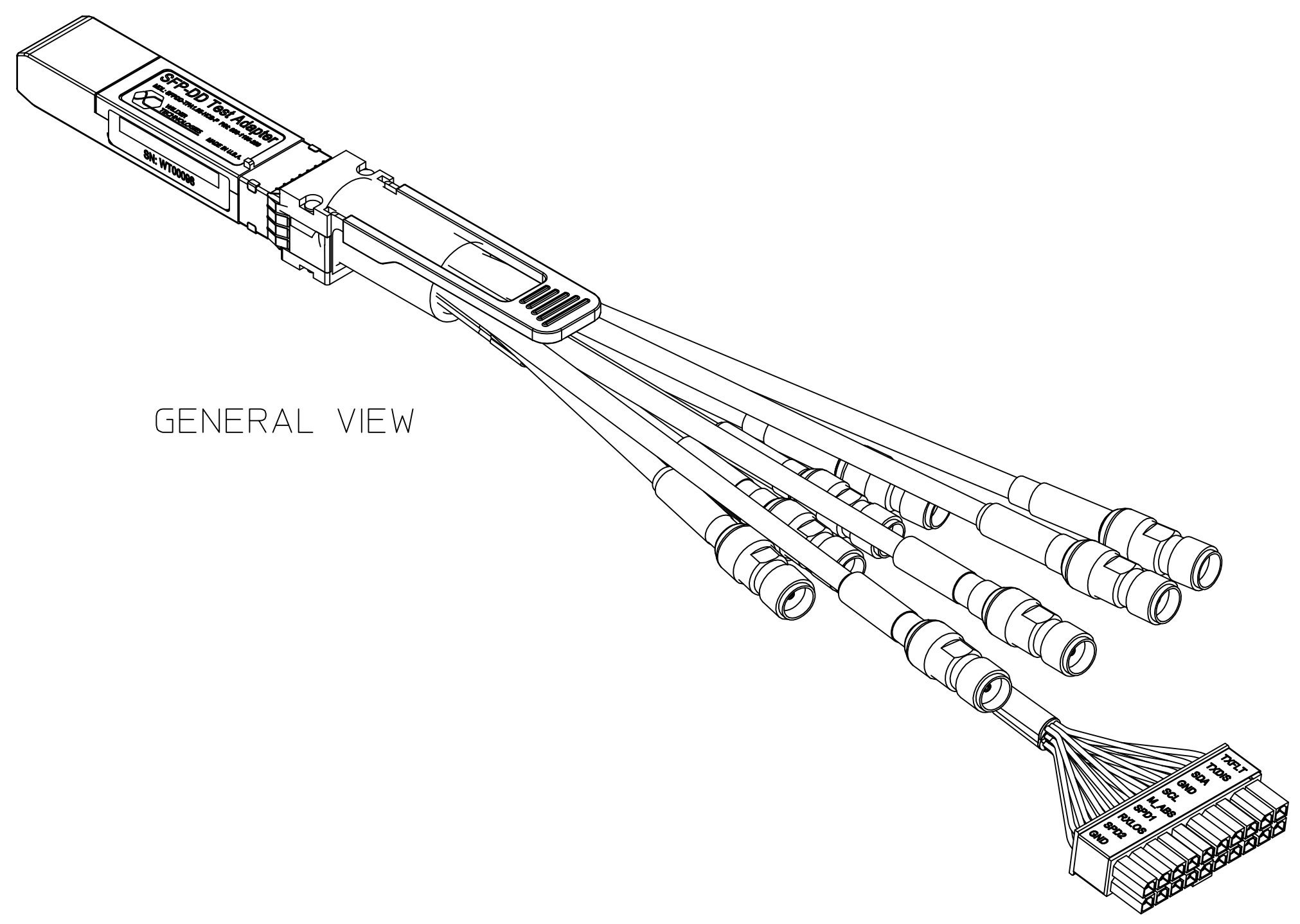
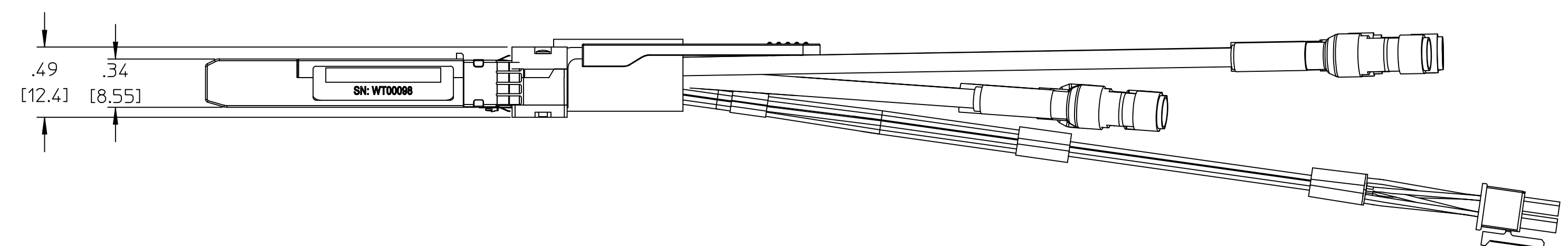
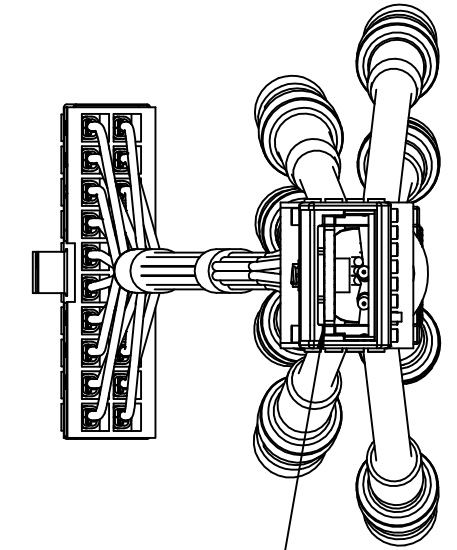


LINE ARE COLOR CODED AND BANDS ARE APPLIED TO DESIGNATE POLARITY AND TRANSMISSION.

RED BAND = PLUS POLARITY
WHITE BAND = TRANSMISSION LINE



- NOTE: UNLESS OTHERWISE SPECIFIED
- INTERPRET DIMENSIONS AND TOLERANCES PER ANSI Y14.5.
 - FOR DETAILED MECHANICAL AND ELECTRICAL SPECIFICATIONS REFER TO USERS MANUAL 910-00XX-000.
 - THIS TEST ADAPTER IS SUPPLIED WITH A SEPARATE 20 POSITION RECEPTACLE AND RECEPTACLE PINS TO ALLOW USERS TO CONNECT TO THIS ASSEMBLY.
MOLEX HOUSING NUMBER - 43020-2001
MOLEX CONTACT PINS - 43031-0011
 - LEAD-FREE PROCESSES USED TO COMPLY WITH DIRECTIVE 2011/95 EC (RoHS DIRECTIVE) RESTRICTIVE USE OF HAZARDOUS SUBSTANCES.



RoHS COMPLIANT

UNLESS OTHERWISE SPECIFIED DIMENSIONS ARE INCHES (METRIC)	XXX ± .005 ± .127 ±	DRAWN BY: W. STANLEY	DATE: 1/4/2021
	XX ± .01 ± .25 ±		CHECKED BY:
X ± .12 ± .3 ±	ANGLE ± 1° ±	APPROVED BY:	DATE:
MATERIAL:		DESCRIPTION: REFERENCE DRAWING, SFP-DD HCB PLUG, TEST ADAPTER, SFPDD-TPA1.85-HCB-P	
FINISH:	SIZE PART NUMBER: D 600-1195-200	REV C	
	SCALE: 1:1	DO NOT SCALE DRAWING	SHEET 1 OF 2

6 5 4 3 2 1

6 5 4 3 2 1

F
E
D
C
B
A

F
E
D
C
B
A