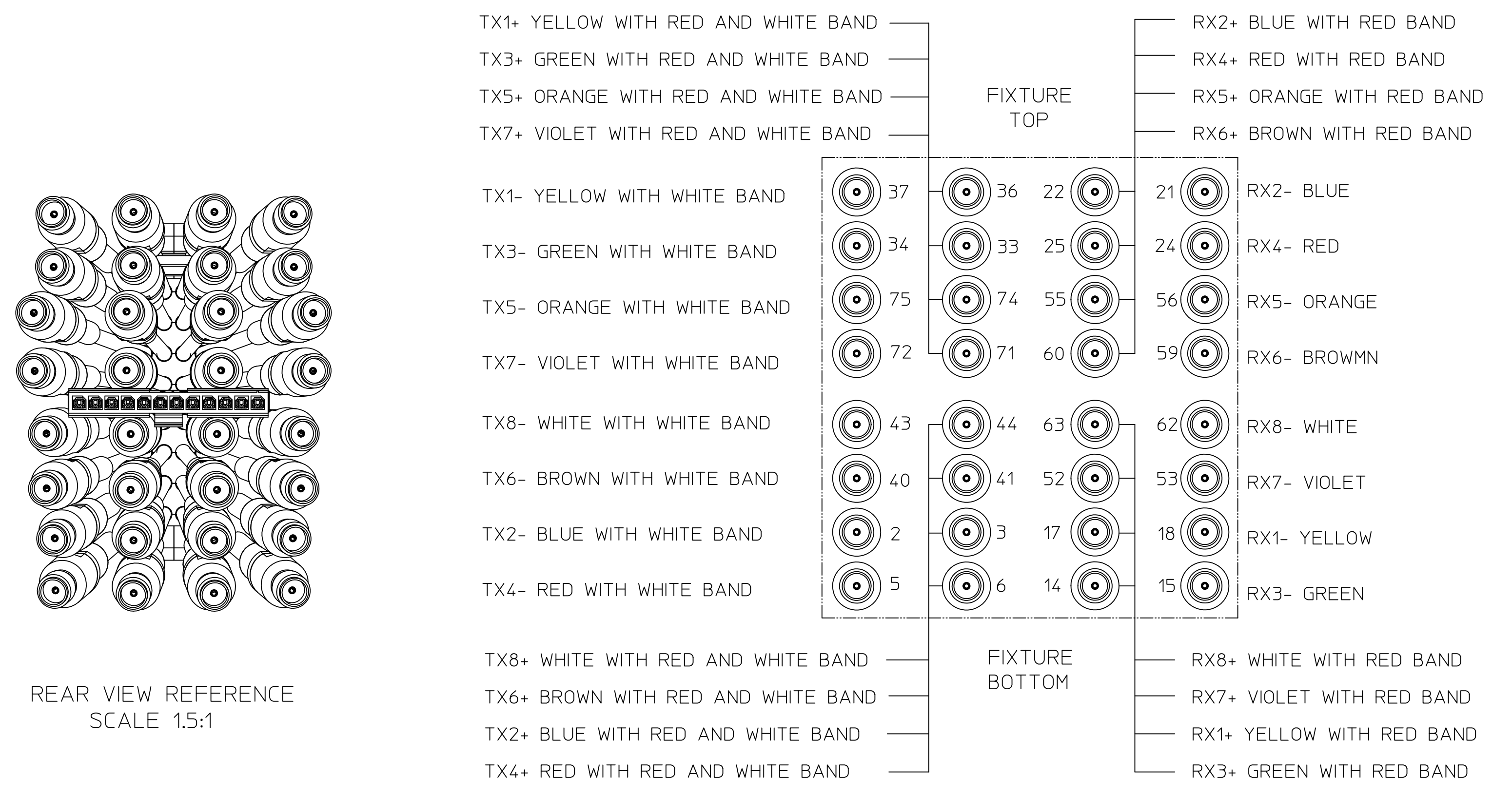
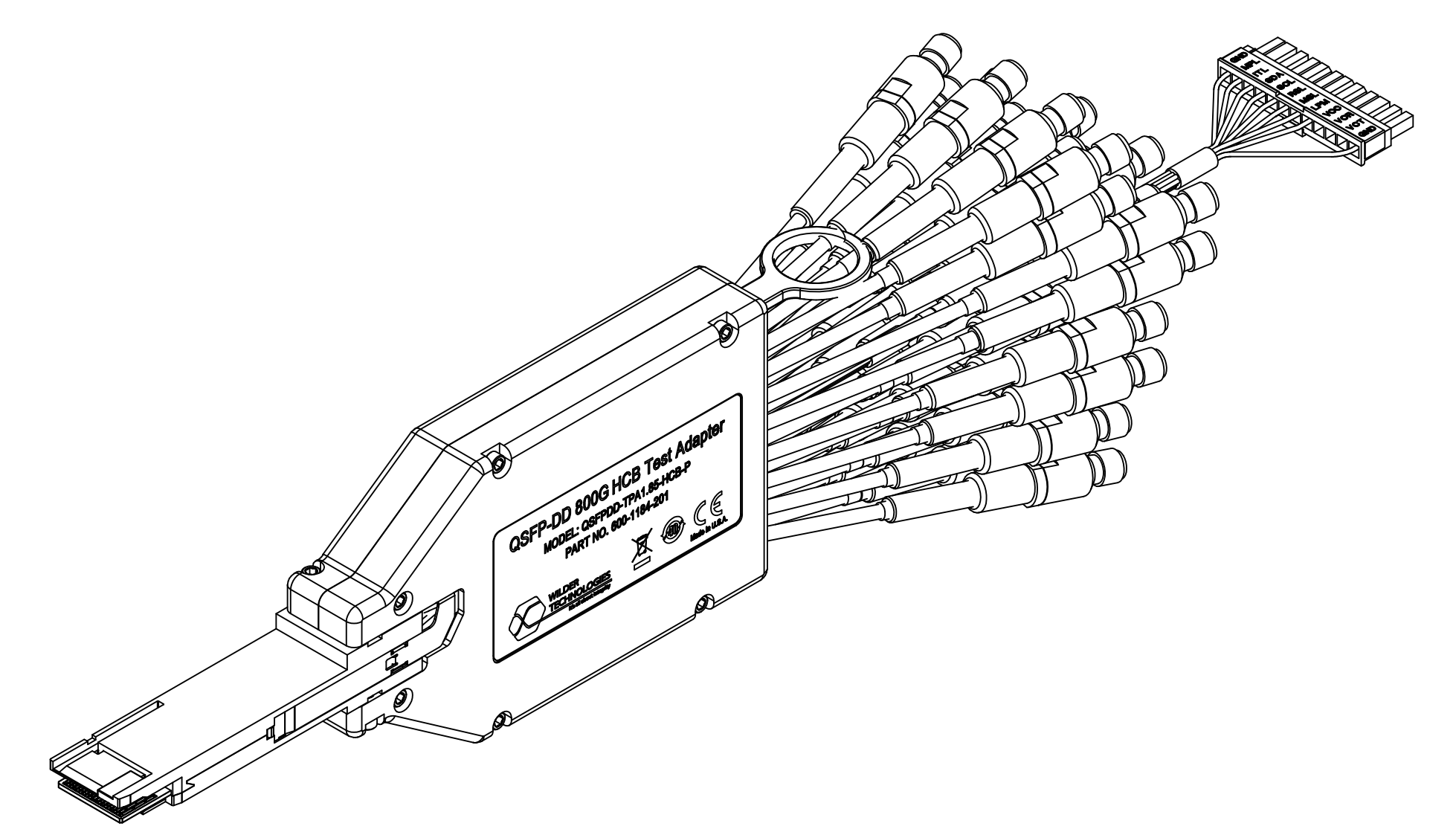
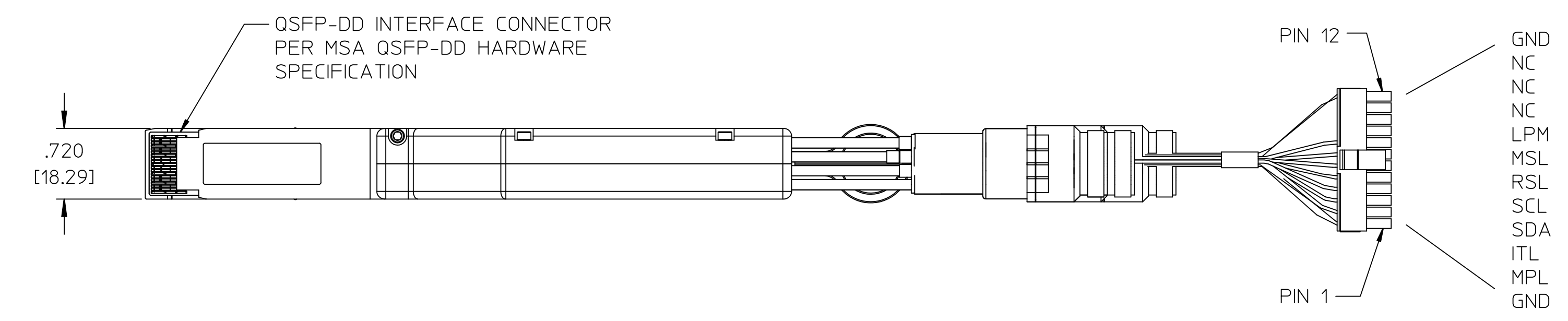
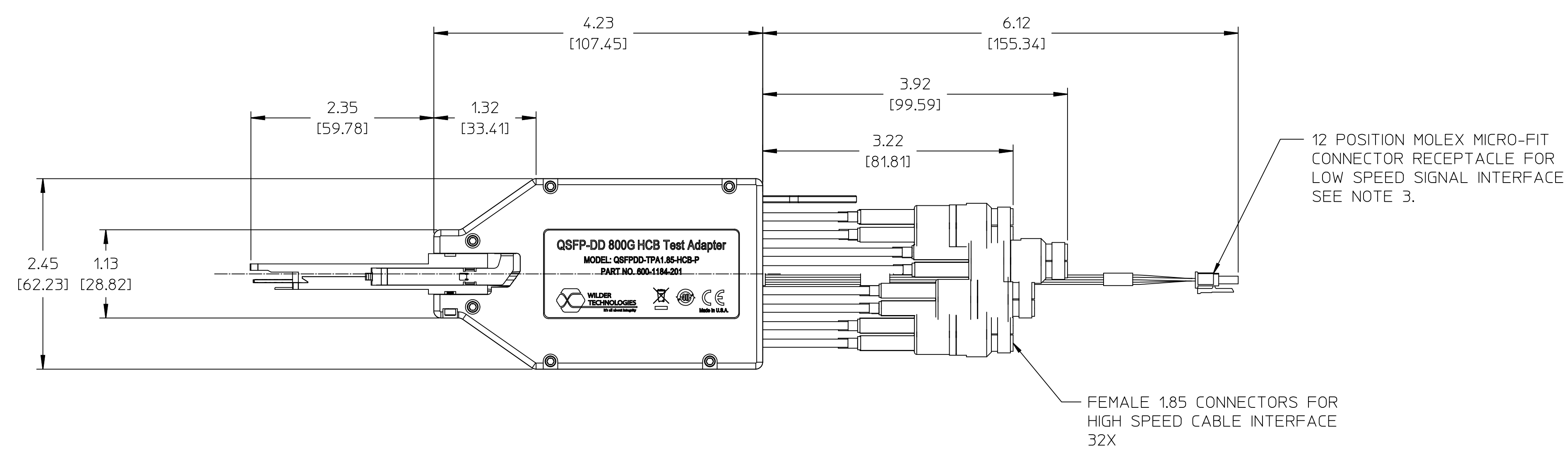


THIS DOCUMENT CONTAINS PROPRIETARY INFORMATION AND IS THE PROPERTY OF WILDER TECHNOLOGIES. THIS INFORMATION SHALL NOT BE REPRODUCED, TRANSFERRED TO OTHER DOCUMENTS, DISCLOSED TO OTHERS FOR MANUFACTURING OR ANY OTHER PURPOSE WITHOUT WRITTEN PERMISSION FROM WILDER TECHNOLOGIES.

REVISIONS				
REV	AUTH	DESCRIPTION	APVD DATE	CHK DATE
A	ECNXXXX	PRELIMINARY RELEASE		6-12-2020



- NOTE: UNLESS OTHERWISE SPECIFIED
- INTERPRET DIMENSIONS AND TOLERANCES PER ANSI Y14.5.
 - FOR DETAILED MECHANICAL AND ELECTRICAL SPECIFICATIONS REFER TO USERS MANUAL 910-0036-000.
 - THIS TEST ADAPTER IS SUPPLIED WITH A SEPARATE 12 POSITION RECEPTACLE AND RECEPTACLE PINS TO ALLOW USERS TO CONNECT TO THIS ASSEMBLY.
 - LEAD-FREE PROCESSES USED TO COMPLY WITH DIRECTIVE 2011/95 EC (RoHS DIRECTIVE) RESTRICTIVE USE OF HAZARDOUS SUBSTANCES.

REAR VIEW REFERENCE SCALE 1.5:1

REAR VIEW CABLE DEFINITION

RoHS COMPLIANT

UNLESS OTHERWISE SPECIFIED DIMENSIONS ARE INCHES (METRIC)		WILDER TECHNOLOGIES		6101A East 18th St. Vancouver, WA 98661 Tel: 360-859-3041 Fax: 360-859-3105 www.wildertech.com	
XXX + .005 + .127 +		DRWN BY: W. STANLEY	DATE: 6-12-2020		
.XX + .01 + .25 +		CHEK BY:	DATE:		
X + .12 + .5 +		APPROVED BY:	DATE:		
ANGLE + 1° + 1°		MATERIAL:			
		DESCRIPTION: REFERENCE DRAWING, DD HCB RECEPTACLE, TEST ADAPTER, QSFPDD-TPA1.85-HCB-P			
FINISH:	SIZE PART NUMBER: D 600-1184-201	REV: A			
SCALE: 1:1		DO NOT SCALE DRAWING		SHEET 1 OF 2	