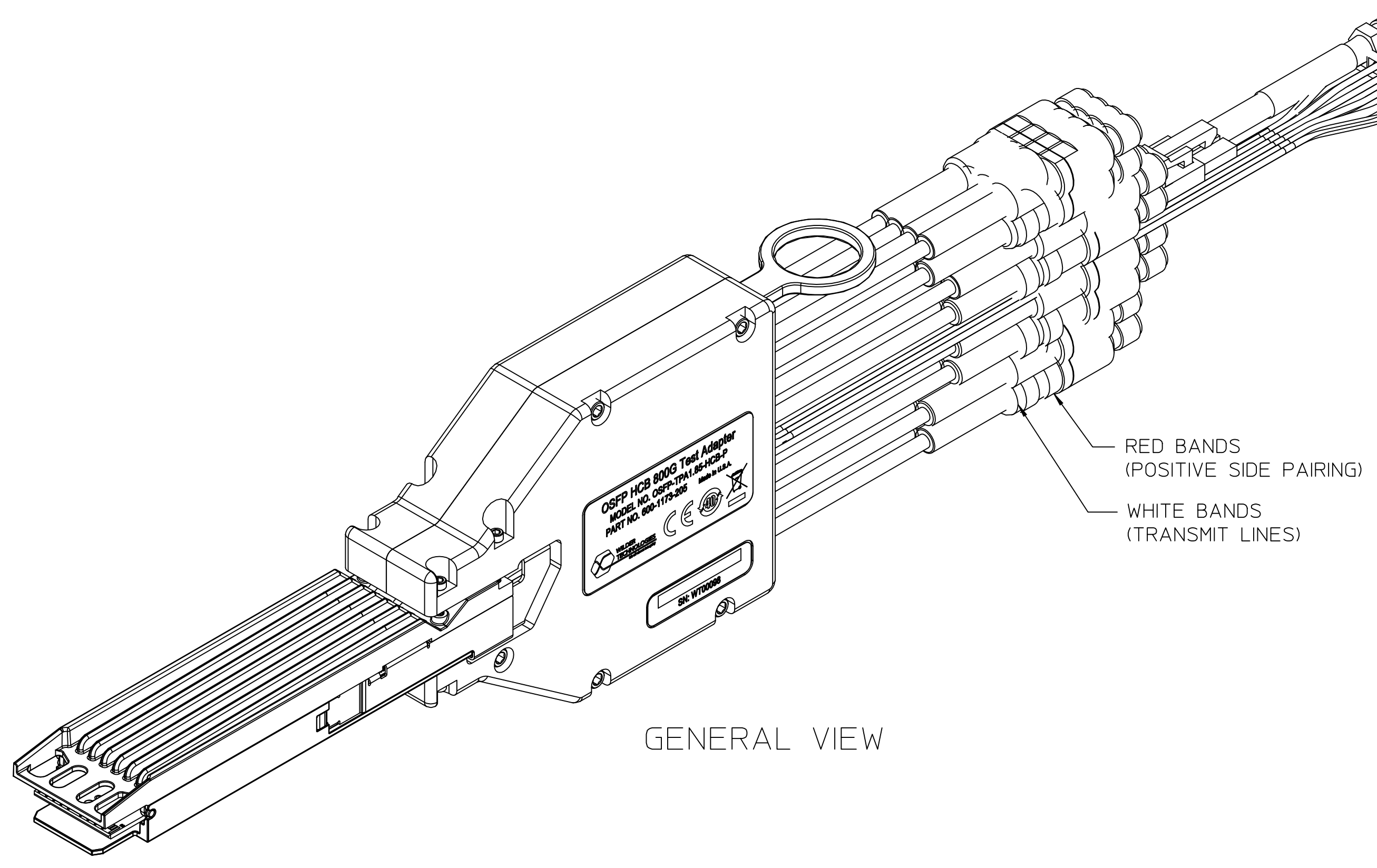
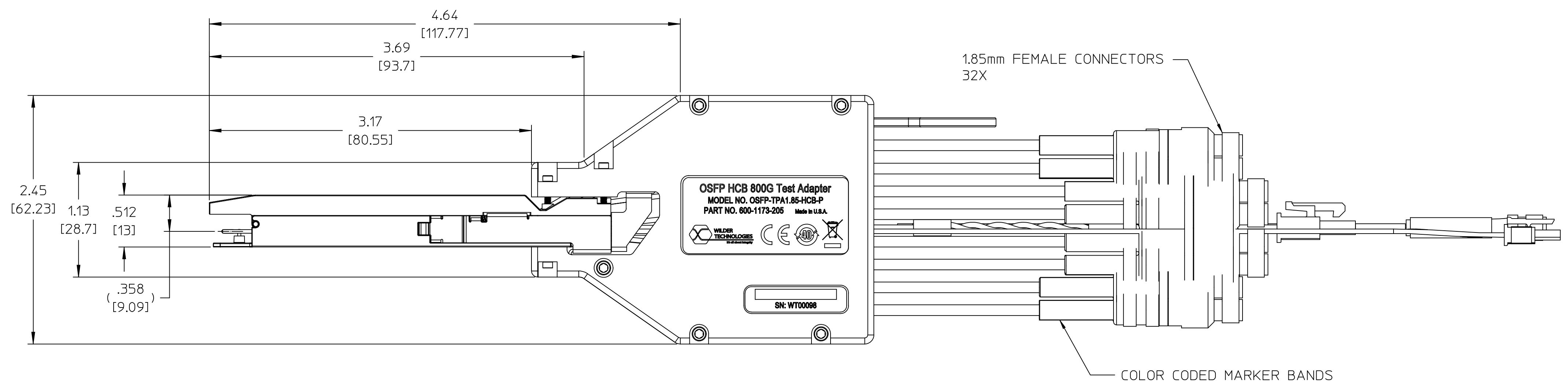
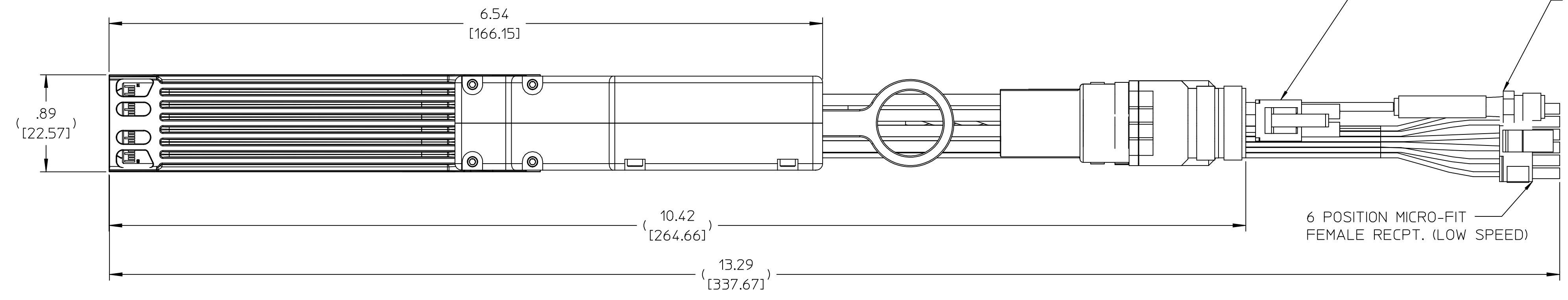


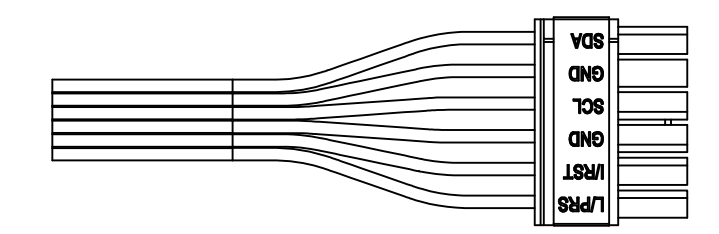
THIS DOCUMENT CONTAINS PROPRIETARY INFORMATION AND IS THE PROPERTY OF WILDER TECHNOLOGIES. THIS INFORMATION SHALL NOT BE REPRODUCED, TRANSFERRED TO OTHER DOCUMENTS, DISCLOSED TO OTHERS FOR MANUFACTURING OR ANY OTHER PURPOSE WITHOUT WRITTEN PERMISSION FROM WILDER TECHNOLOGIES.

REVISIONS				
REV	AUTH	DESCRIPTION	APVD DATE	CHK DATE
A	ECNXXXX	PRELIMINARY RELEASE		5/24/2021

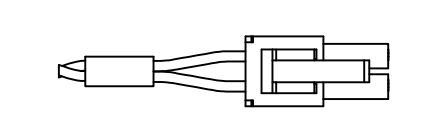


TOP SIDE MODULE CARD EDGE (VIEWED FROM TOP SIDE)			BOTTOM SIDE MODULE CARD EDGE (VIEWED FROM BOTTOM SIDE)		
POS			POS		
59	TX1+	YEL	TX2+	BLUE	2
58	TX1-	YEL	TX2-	BLUE	3
56	TX3+	GRN	TX4+	RED	5
55	TX3-	GRN	TX4-	RED	6
53	TX5+	ORG	TX6+	BRN	8
52	TX5-	ORG	TX6-	BRN	9
50	TX7+	VIO	TX8+	WHT	11
49	TX7-	VIO	TX8-	WHT	12
42	RX8-	WHT	RX7-	VIO	19
41	RX8+	WHT	RX7+	VIO	20
39	RX6-	BRN	RX5-	ORG	22
38	RX6+	BRN	RX5+	ORG	23
36	RX4-	RED	RX3-	GRN	25
35	RX4+	RED	RX3+	GRN	26
33	RX2-	BLU	RX1-	YEL	28
32	RX2+	BLU	RX1+	YEL	29

CABLE	MODULE POS
1 SDA	47
2 GND	GND
3 SCL	14
4 GND	GND
5 INT/RSTN	44
6 LPWN/PRSN	17



LOW SPEED LINE
PIN OUT DEFINITION



LOW SPEED LINE
VCC I/O

2 GND	GND
1 VCC	15,16,45,46

(MARKER BANDS COLOR CODING)

- NOTE: UNLESS OTHERWISE SPECIFIED
- INTERPRET DIMENSIONS AND TOLERANCES PER ANSI Y14.5.
 - REFER TO USER MANUAL FOR DETAILED MECHANICAL AND ELECTRICAL SPECIFICATIONS.
 - THIS ASSEMBLY IS SUPPLIED WITH SPARE MATING MALE LOW SPEED INTERFACE CONNECTOR AND PINS FOR USER CONFIGURATION.

UNLESS OTHERWISE SPECIFIED DIMENSIONS ARE INCHES (METRIC)		WILDER TECHNOLOGIES		6101A East 18th St. Vancouver, WA 98661	
XXX	+ .005 + .127	DRAWN BY: W. STANLEY		DATE: 5/24/2021	
XX	+ .01 + .25	CHECKED BY:		DATE:	
X	+ .12 + .3	APPROVED BY:		DATE:	
ANGLE	+ 1°	DESCRIPTION: REFERENCE ASSEMBLY DRAWING OSFP HCB PLUG, TEST ADAPTER OSFP-TPAxxx-HCB-P			
FINISH:	SIZE PART NUMBER: D 600-1173-205	REV A		SCALE: 1:1 DO NOT SCALE DRAWING SHEET 1 OF 3	