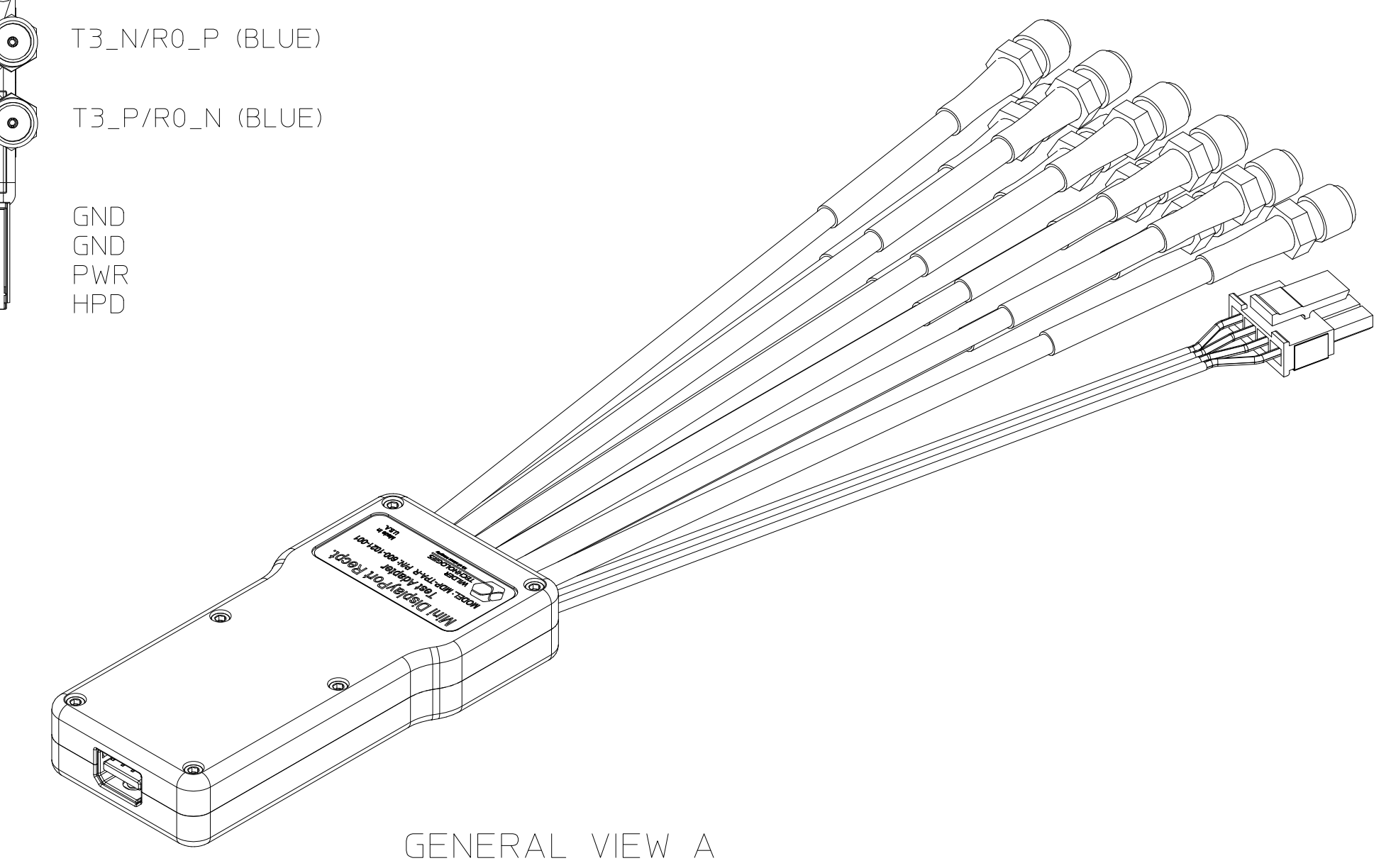
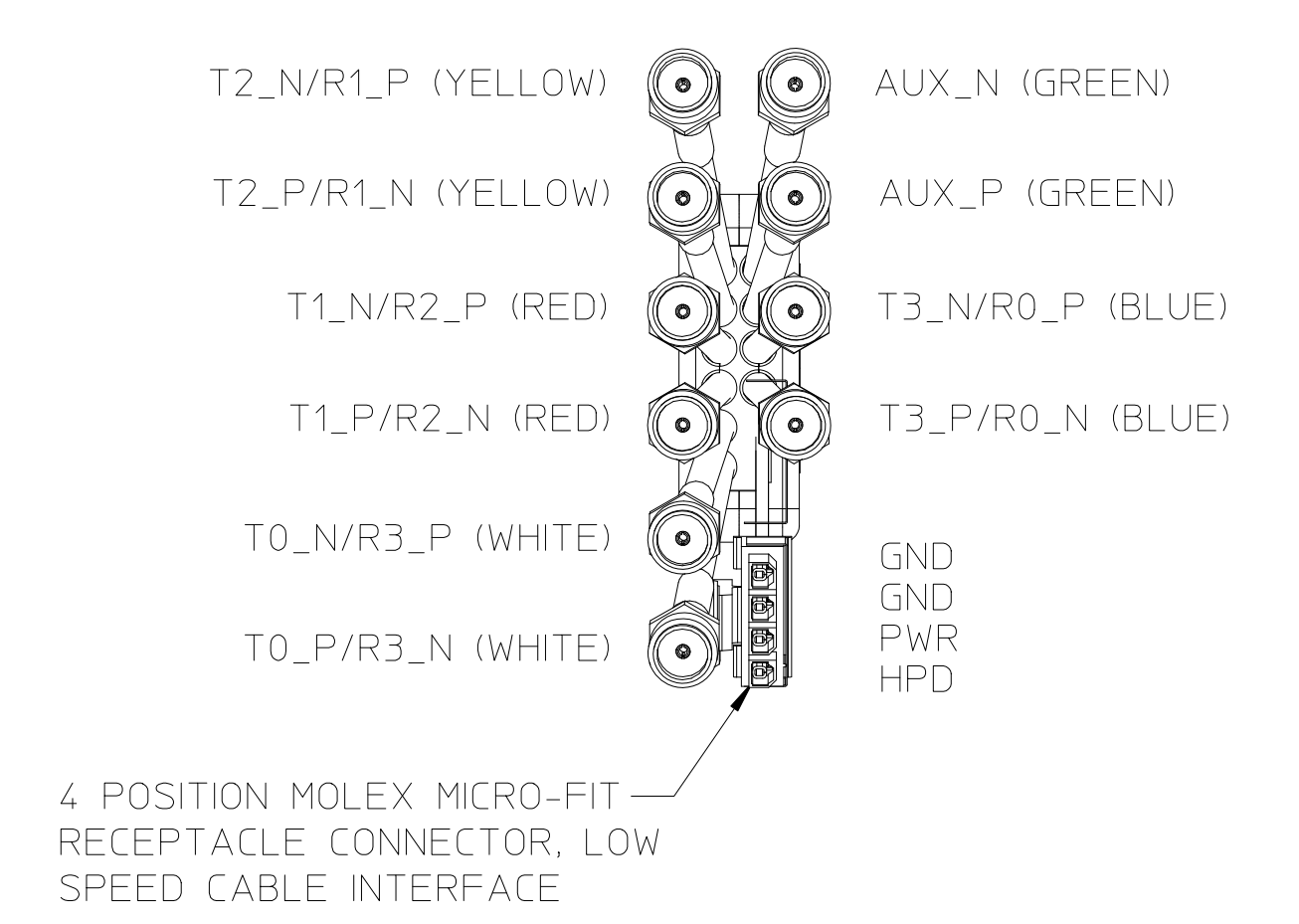
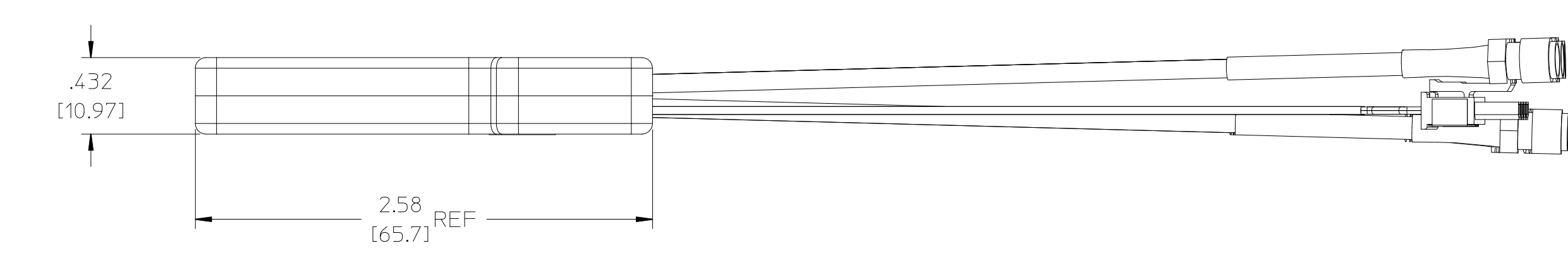
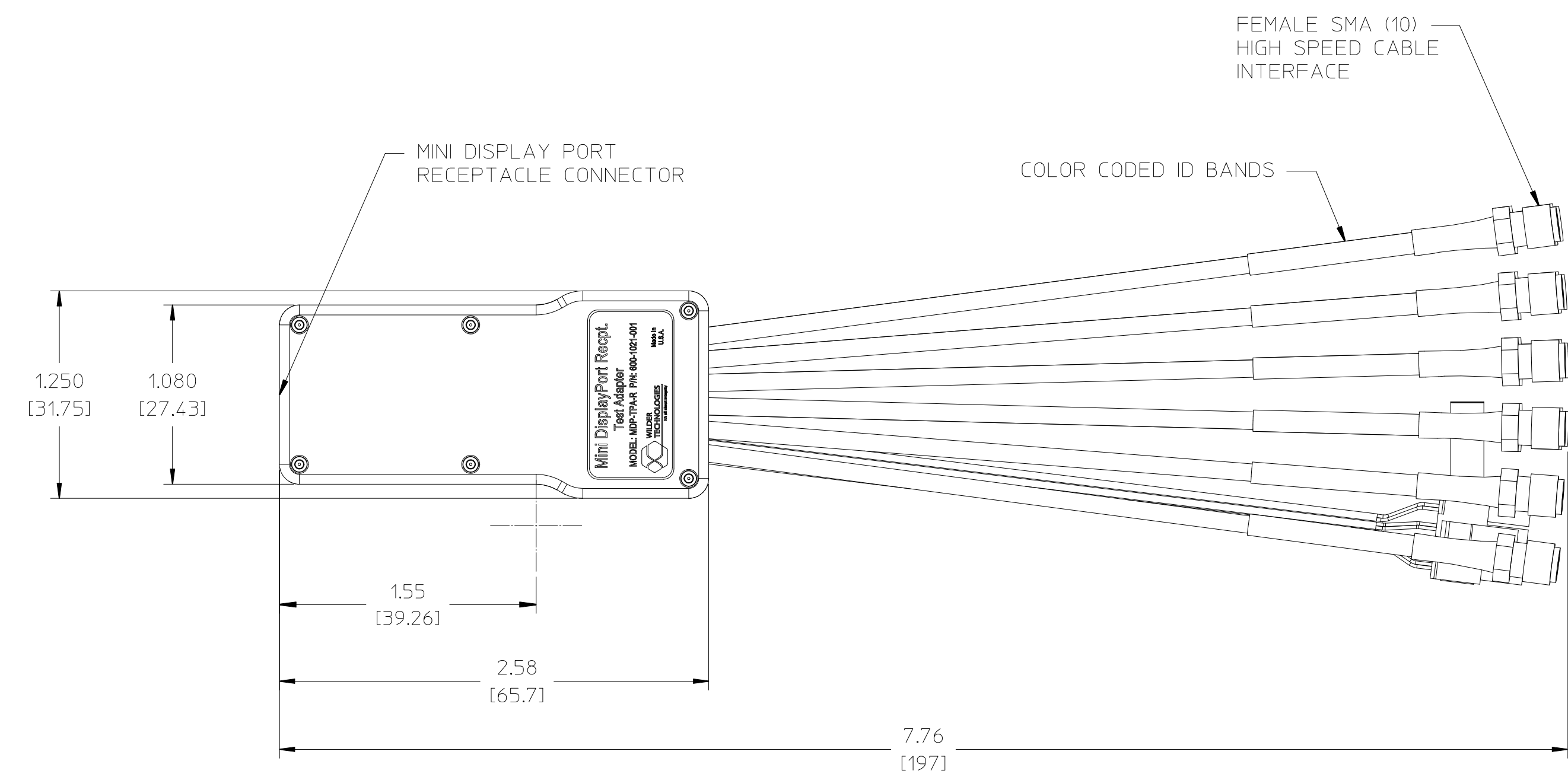


THIS DOCUMENT CONTAINS PROPRIETARY INFORMATION AND IS THE PROPERTY OF WILDER TECHNOLOGIES. THIS INFORMATION SHALL NOT BE REPRODUCED, TRANSFERRED TO OTHER DOCUMENTS, DISCLOSED TO OTHERS FOR MANUFACTURING OR ANY OTHER PURPOSE WITHOUT WRITTEN PERMISSION FROM WILDER TECHNOLOGIES.

REVISIONS				
REV	AUTH	DESCRIPTION	APVD DATE	CHK DATE
A	ECNXXXX	INITIAL RELEASE		1/21/2011



- NOTE: UNLESS OTHERWISE SPECIFIED
1. INTERPRET DIMENSIONS AND TOLERANCES PER ANSI Y14.5.
 2. THE LOW-SPEED CONNECTOR INTERFACE RECEPTACLE CONNECTOR HAS A MATING PLUG AND CONTACT PINS FOR USERS.
 3. REFER TO USERS MANUAL FOR DETAILED MECHANICAL AND ELECTRICAL SPECIFICATIONS.

UNLESS OTHERWISE SPECIFIED DIMENSIONS ARE INCHES (METRIC)		6101A East 18th St. Vancouver, WA 98661 Tel: 360-859-3041 Fax: 360-859-3105 www.wildertech.com	
XXX ± .005 ± .127 ±	XX ± .01 ± .25 ±	DRAWN BY: W. STANLEY DATE: 1/21/2011	
X ± .12 ± .3 ±	ANGLE ± 1° ± 1°	CHECKED BY: DATE:	
MATERIAL:		APPROVED BY: DATE:	
DESCRIPTION:		FINAL ASSEMBLY, MINI-DISPLAYPORT, RECEPTACLE MDP-TPA-R	
FINISH:	SIZE PART NUMBER: D 600-1021-001	REV: A	
SCALE: 15:1		DO NOT SCALE DRAWING SHEET 1 OF 2	