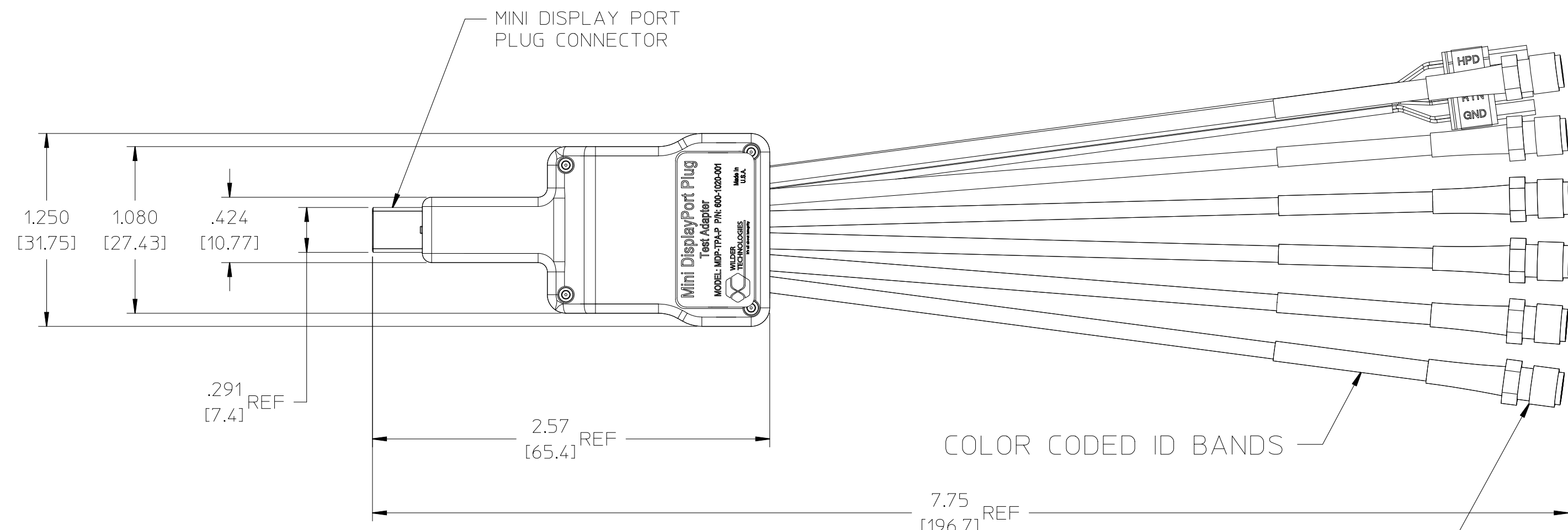


THIS DOCUMENT CONTAINS PROPRIETARY INFORMATION AND IS THE PROPERTY OF WILDER TECHNOLOGIES. THIS INFORMATION SHALL NOT BE REPRODUCED, TRANSFERRED TO OTHER DOCUMENTS, DISCLOSED TO OTHERS FOR MANUFACTURING OR ANY OTHER PURPOSE WITHOUT WRITTEN PERMISSION FROM WILDER TECHNOLOGIES.

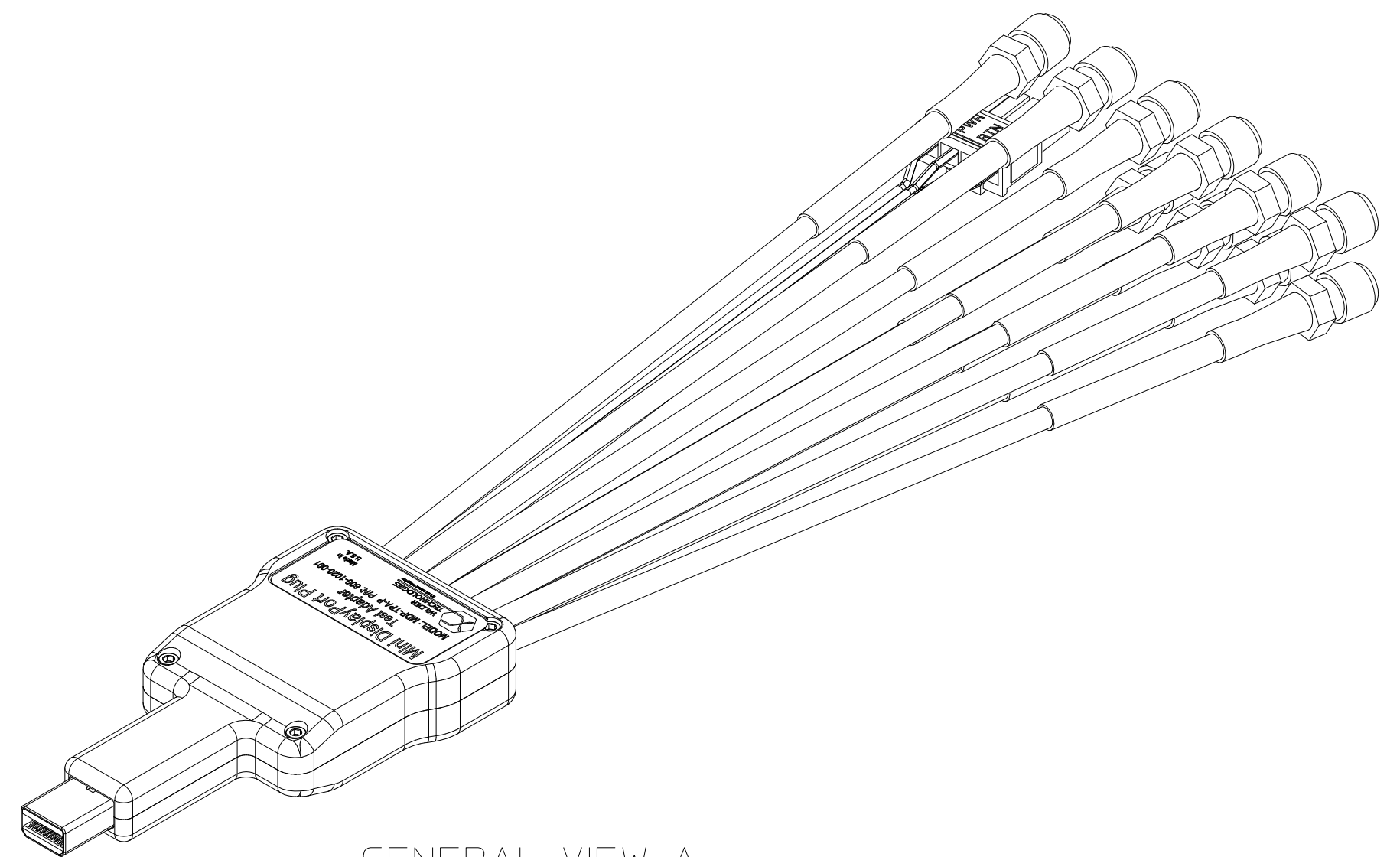
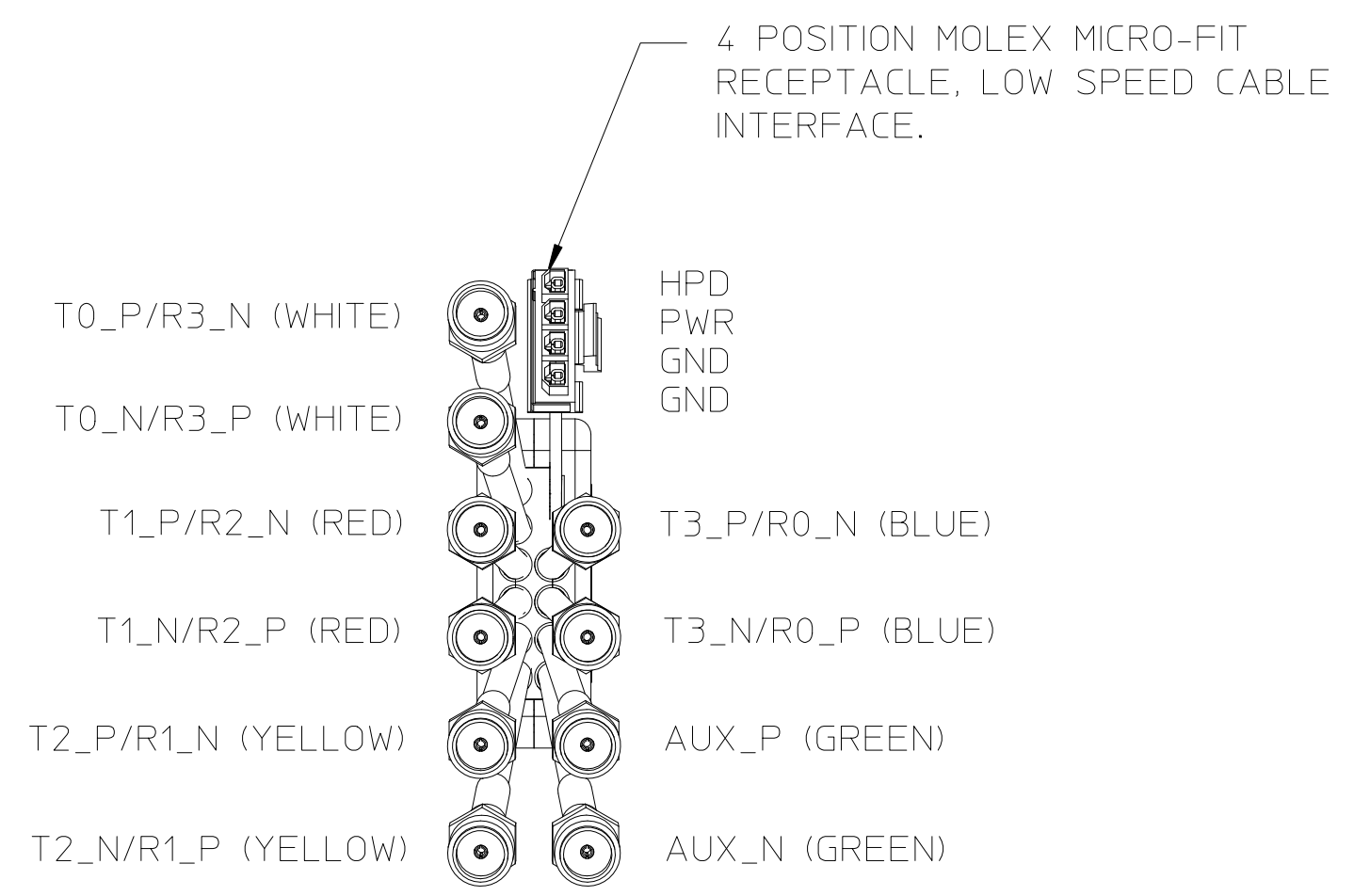
REVISIONS				
REV	AUTH	DESCRIPTION	APVD DATE	CHK DATE
A	ECNXXXX	INITIAL RELEASE		1/20/2011



MINI DISPLAY PORT PLUG CONNECTOR

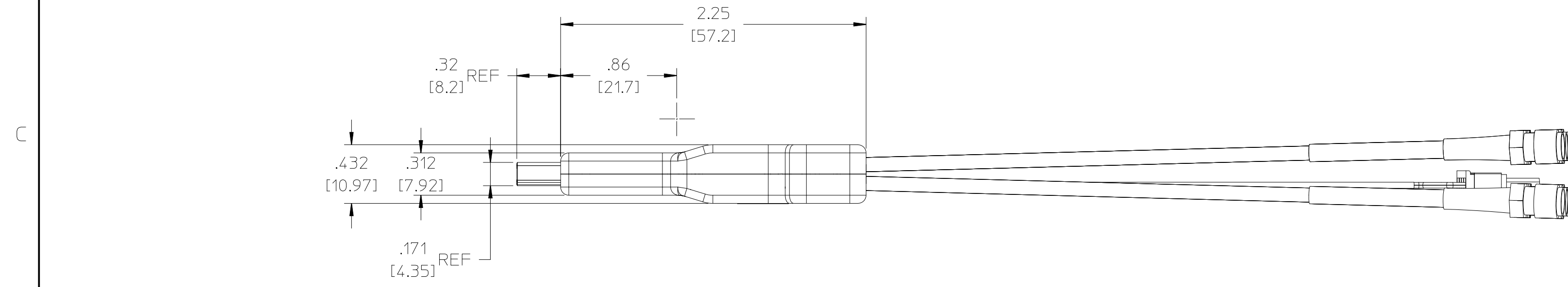
COLOR CODED ID BANDS

FEMALE SMA (10) HIGH SPEED CABLE INTERFACE



GENERAL VIEW A

- NOTE: UNLESS OTHERWISE SPECIFIED
1. INTERPRET DIMENSIONS AND TOLERANCES PER ANSI Y14.5.
 2. THE LOW-SPEED CONNECTOR INTERFACE RECEPTACLE CONNECTOR HAS A MATING PLUG AND CONTACT PINS FOR USERS.
 3. REFER TO USERS MANUAL FOR DETAILED MECHANICAL AND ELECTRICAL SPECIFICATIONS.



UNLESS OTHERWISE SPECIFIED DIMENSIONS ARE INCHES (METRIC)	.XXX ± .005 ± .127 ±		6101A East 18th St. Vancouver, WA 98661	
	.XX ± .01 ± .25 ±		Tel: 360-859-3041 Fax: 360-859-3105 www.wilder-tech.com	
.X ± .12 ± .3 ±	ANGLE ± 1° ± 1°	DRAWN BY: W. STANLEY	DATE: 1/20/2011	
MATERIAL:		CHECKED BY:	DATE:	
FINISH:		DESCRIPTION: FINAL ASSEMBLY, MINI DISPLAYPORT PLUG MDP-TPA-P		
SIZE: D		PART NUMBER: 600-1020-001	REV: A	
SCALE: 1:1		DO NOT SCALE DRAWING		SHEET 1 OF 2