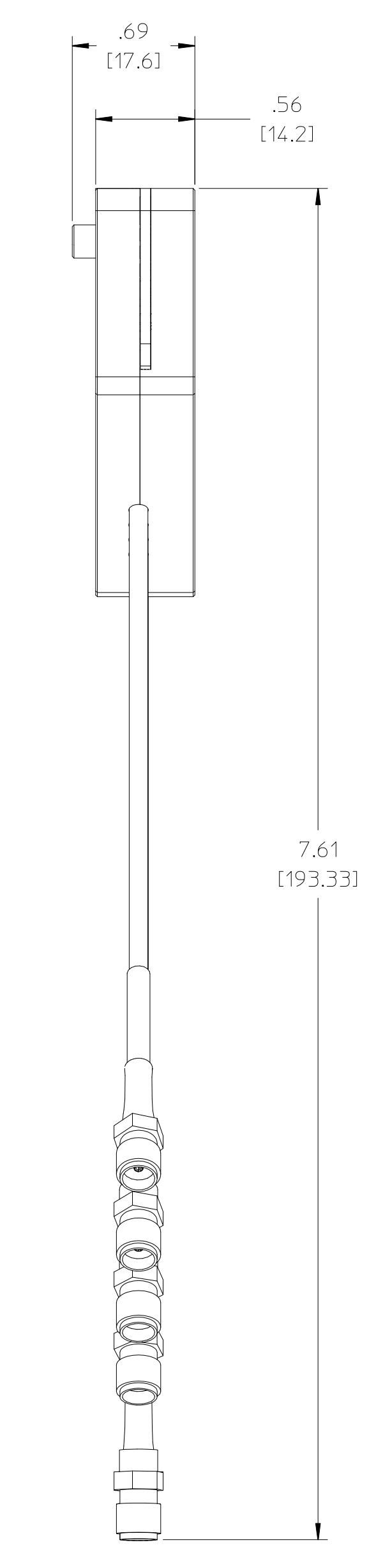
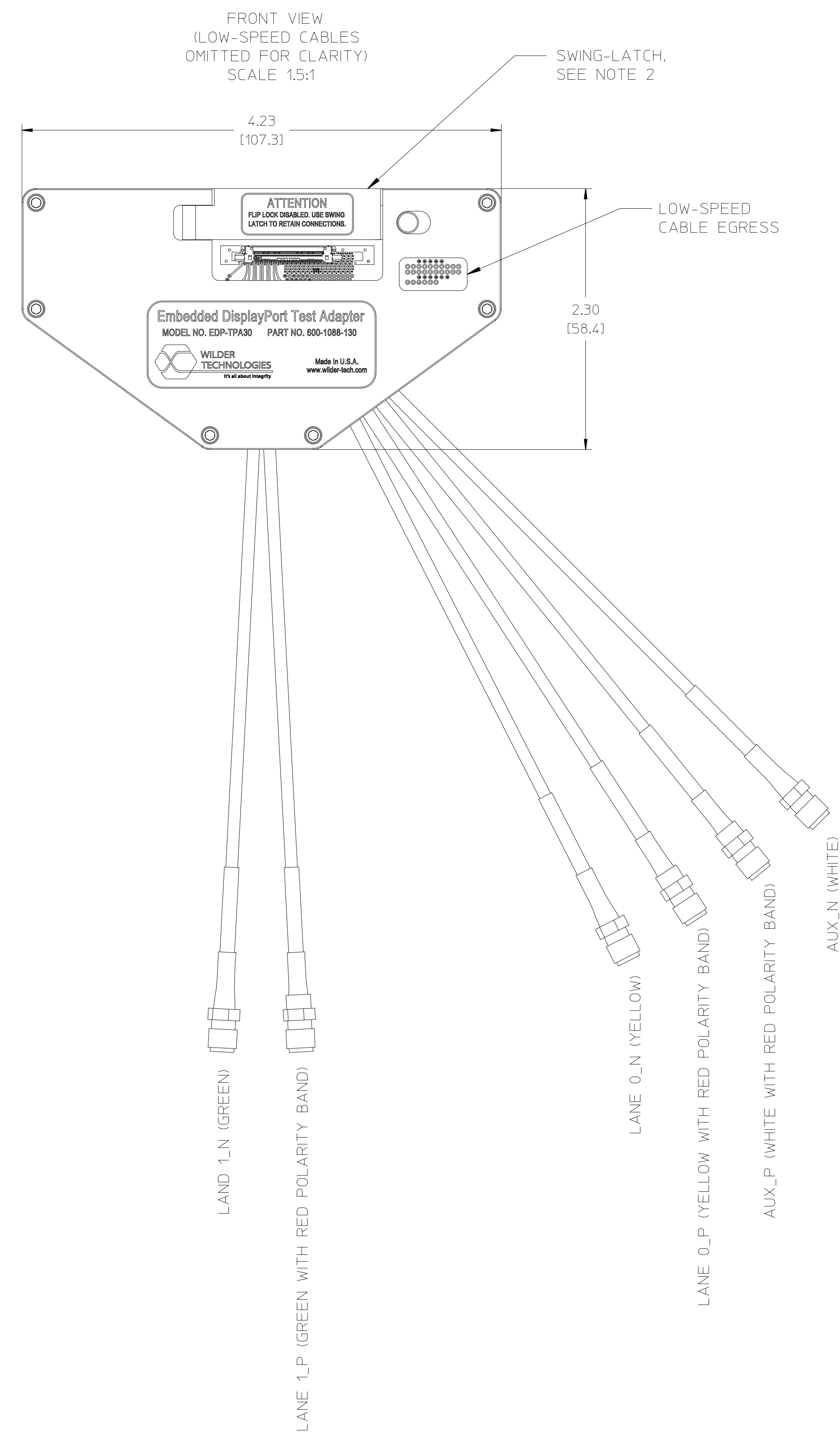


THIS DOCUMENT CONTAINS PROPRIETARY INFORMATION AND IS THE PROPERTY OF WILDER TECHNOLOGIES. THIS INFORMATION SHALL NOT BE REPRODUCED, TRANSFERRED TO OTHER DOCUMENTS, DISCLOSED TO OTHERS FOR MANUFACTURING OR ANY OTHER PURPOSE WITHOUT WRITTEN PERMISSION FROM WILDER TECHNOLOGIES.

REVISIONS				
REV	AUTH	DESCRIPTION	APVD DATE	CHK DATE
A	XXXX	INITIAL RELEASE	TD	11/16/2012



SIDE VIEW  
(LOW-SPEED CABLES OMITTED FOR CLARITY)  
SCALE 1.5:1

- NOTE: UNLESS OTHERWISE SPECIFIED
1. INTERPRET DIMENSIONS AND TOLERANCES PER ANSI-Y14.5.
  2. REFER TO THE USERS MANUAL FOR DETAILED ELECTRICAL AND MECHANICAL SPECIFICATIONS.
  3. LOW-SPEED CABLES, NOT SHOWN, ARE SUPPLIED WITH MATING 6 AND 20 POSITION MICROFIT RECEPTACLE HOUSINGS AND ASSOCIATED CONTACT PINS. THESE SPARE PARTS ARE PACKAGED AND ACCOMPANY THE TEST ADAPTER ASSEMBLY.
  4. THE SWING-LATCH IS DESIGNED TO RETAIN THE MATING I-PEX CABLINE VS 30-POSITION CABLE ASSEMBLY, ORDERED SEPARATELY.
  5. THE 20-POSITION LOW-SPEED CABLE (NOT SHOWN) IS APPROXIMATELY 6-INCHES LONG FROM POINT OF EXIT ON THE TEST ADAPTER.
- THE 6-POSITION LOW-SPEED CABLE (NOT SHOWN) IS APPROXIMATELY 13-INCHES LONG FROM POINT OF EXIT ON THE TEST ADAPTER TO MINIMIZE STRESS ON SMA CONNECTIONS TO THE OPTIONAL AUXILIARY CONTROL MODULE, ORDERED SEPARATELY, FOR CERTAIN TESTS.

UNLESS OTHERWISE SPECIFIED DIMENSIONS ARE INCHES (METRIC)	XXX + .005 + .027 +	6101A East 18th St. Vancouver, WA 98661 Tel: 360-859-3041 Fax: 360-859-3105 www.wilder-tech.com
	XX + .01 + .25 +	
X + .12 + .3 +		
ANGLE + 1°		
MATERIAL:	DRAWN BY: T. DELUCCO	DATE: 11/16/2012
	CHECKED BY:	DATE:
	APPROVED BY:	DATE:
	DESCRIPTION: FINAL ASSY, eDP, TPA, CABLINA VS-30 EDP-TPA30	
FINISH:	SIZE PART NUMBER: D 600-1088-130	REV A
	SCALE: 1:1	DO NOT SCALE DRAWING SHEET 3 OF 3