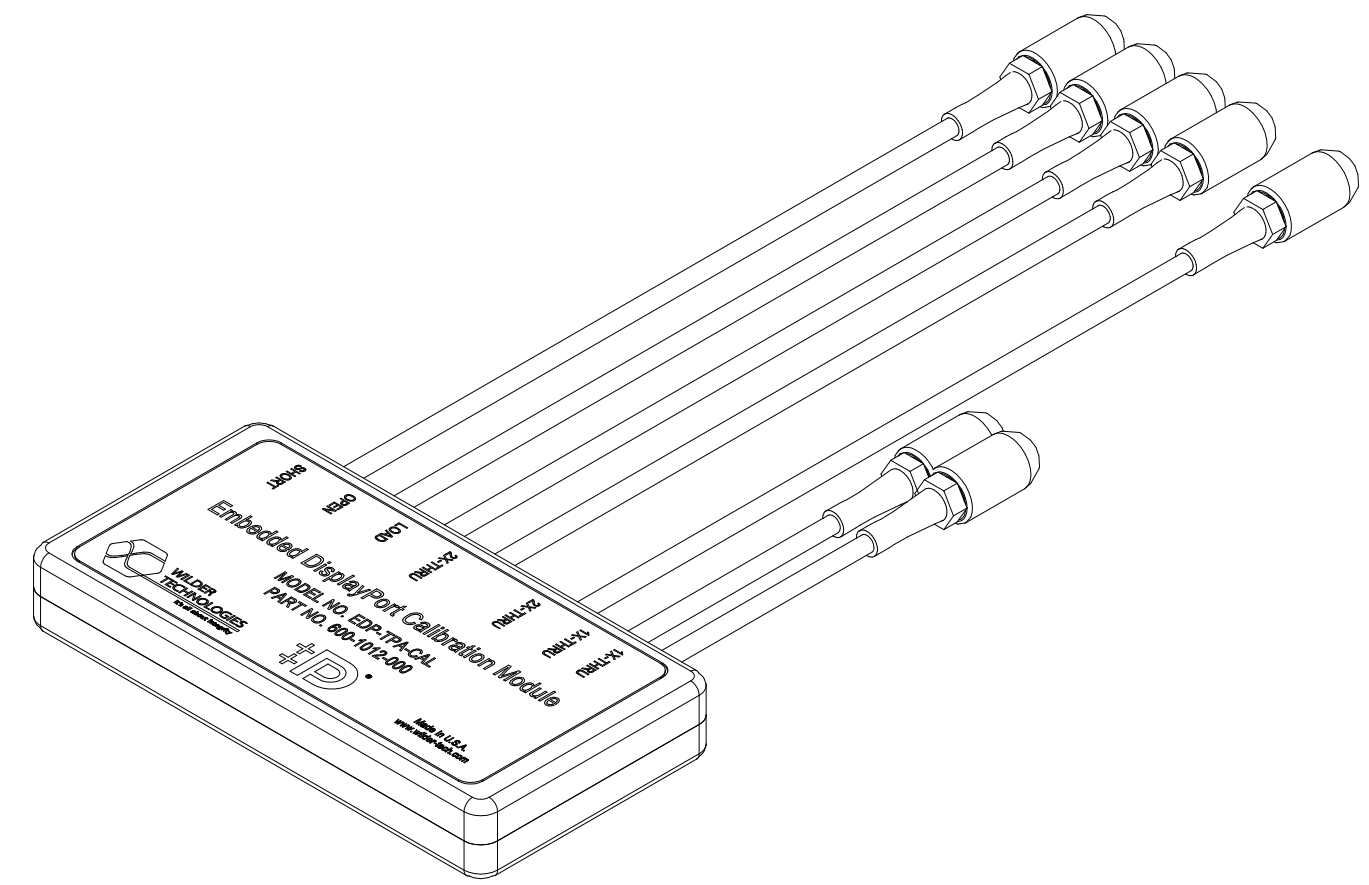
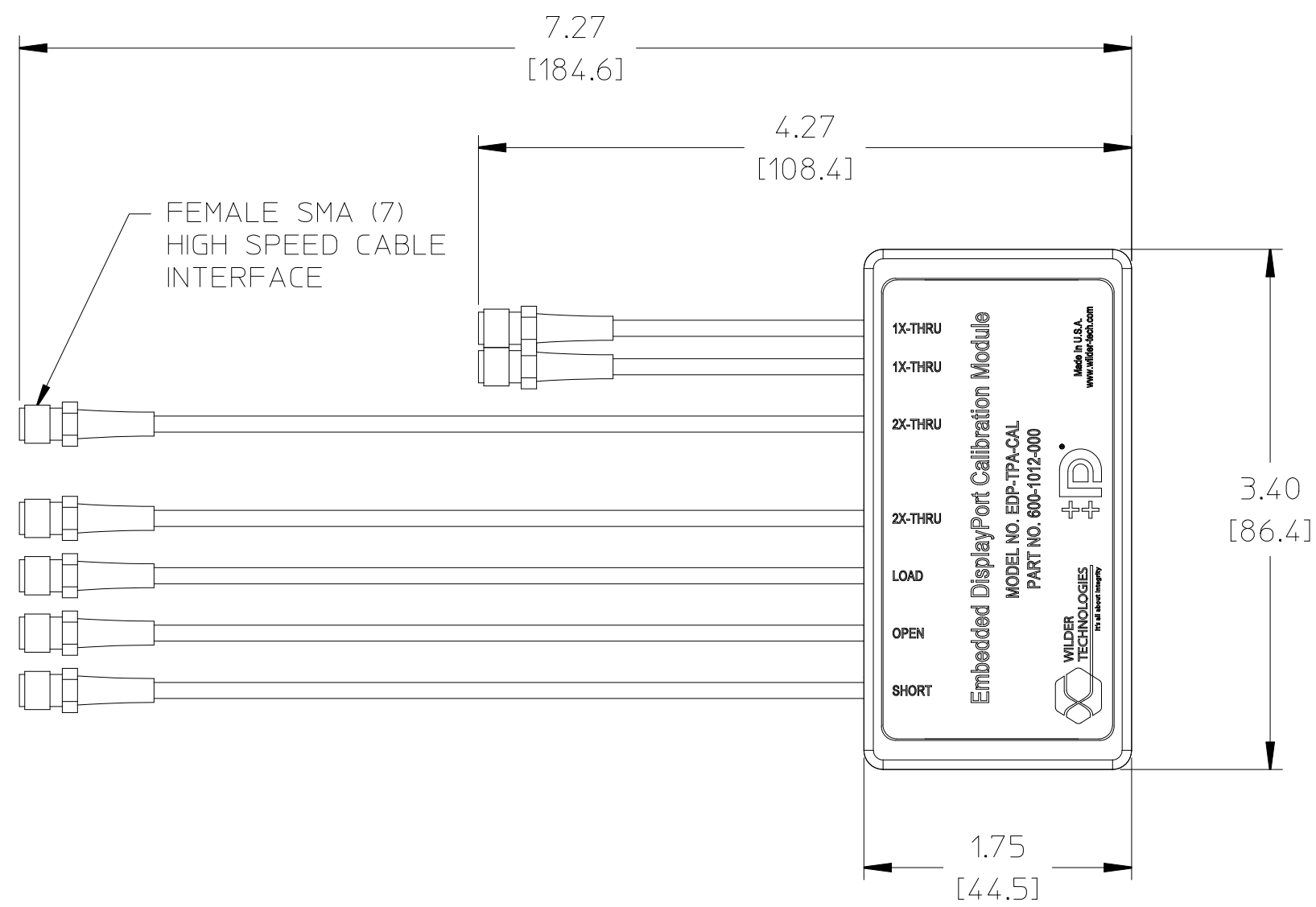
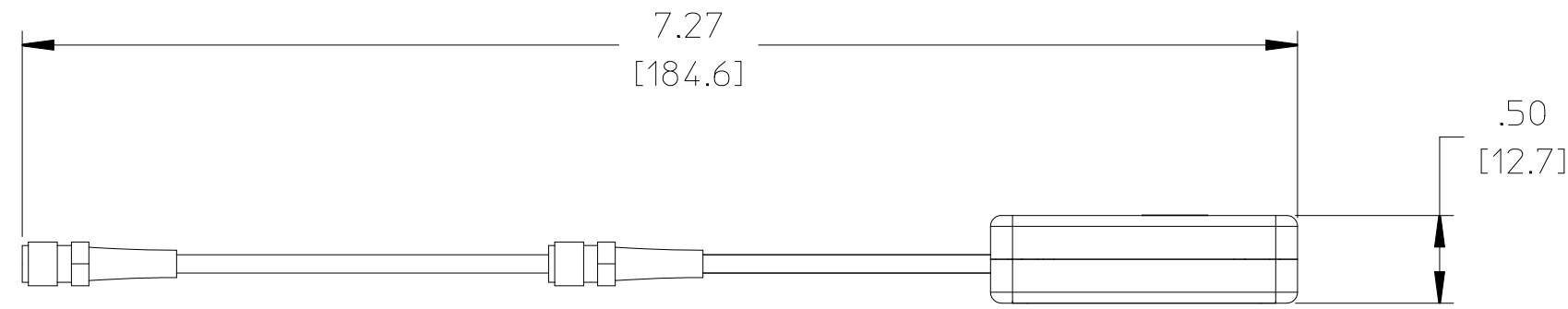



REVISIONS				
REV	AUTH	DESCRIPTION	APVD DATE	CHK DATE
A	XXXX	INITIAL RELEASE	TD	12-4-09



GENERAL VIEW A

NOTE: UNLESS OTHERWISE SPECIFIED

1. INTERPRET DIMENSIONS AND TOLERANCES PER ANSI Y14.5.
2. REFER TO THE EMBEDDED DISPLAYPORT TEST ADAPTER USERS MANUAL FOR DETAILED MECHANICAL AND ELECTRICAL SPECIFICATIONS.

UNLESS OTHERWISE SPECIFIED DIMENSIONS ARE INCHES (METRIC) .XXX ± .005 ± .127 ± .XX ± .01 ± .25 ± .X ± .12 ± .3 ± ANGLE ± 1° 1°	 WILDER TECHNOLOGIES It's all about integrity		6101A East 18th St. Vancouver, WA 98661 Tel: 360-859-3041 Fax: 360-859-3105 www.wilder-tech.com	
	DRAWN BY: T. DELUCCO		DATE: 12-4-2009	
MATERIAL:		CHECKED BY:		DATE:
FINISH:		APPROVED BY:		DATE:
		DESCRIPTION: FINAL ASSEMBLY, EDP CALIBRATION MODULE EDP-TPA-C		
		SIZE C	PART NUMBER: 600-1012-000_W	REV A
		SCALE: 1:1	DO NOT SCALE DRAWING	SHEET 1 OF 1