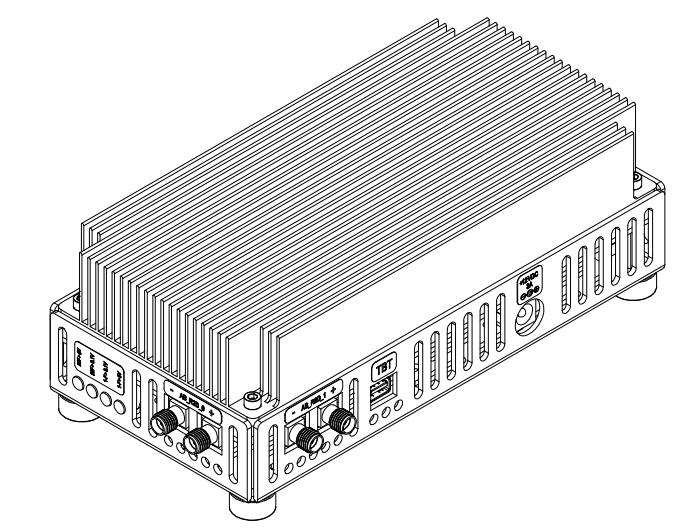
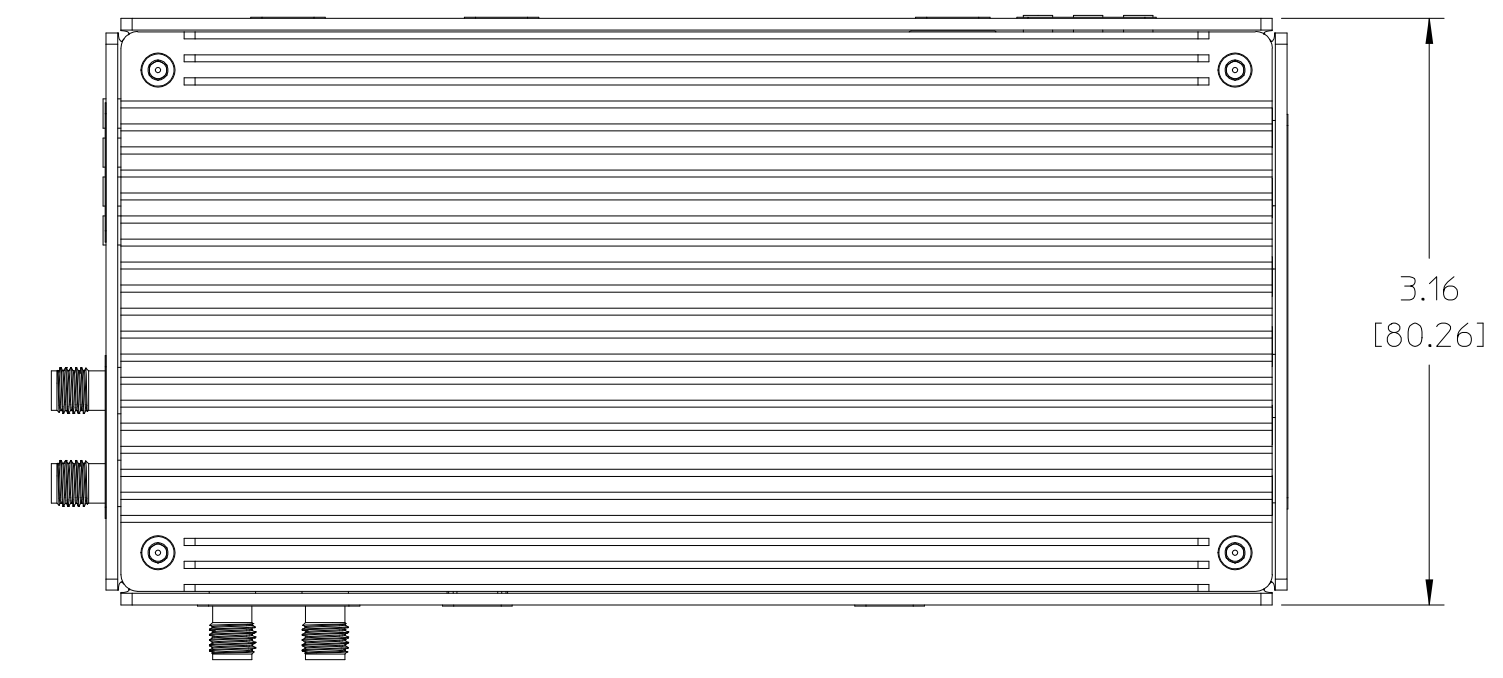
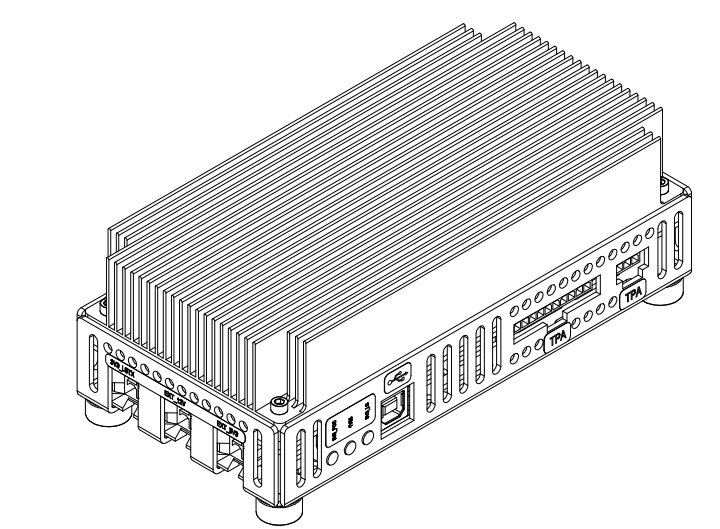


THIS DOCUMENT CONTAINS PROPRIETARY INFORMATION AND IS THE PROPERTY OF WILDER TECHNOLOGIES. THIS INFORMATION SHALL NOT BE REPRODUCED, TRANSFERRED TO OTHER DOCUMENTS, DISCLOSED TO OTHERS FOR MANUFACTURING OR ANY OTHER PURPOSE WITHOUT WRITTEN PERMISSION FROM WILDER TECHNOLOGIES.

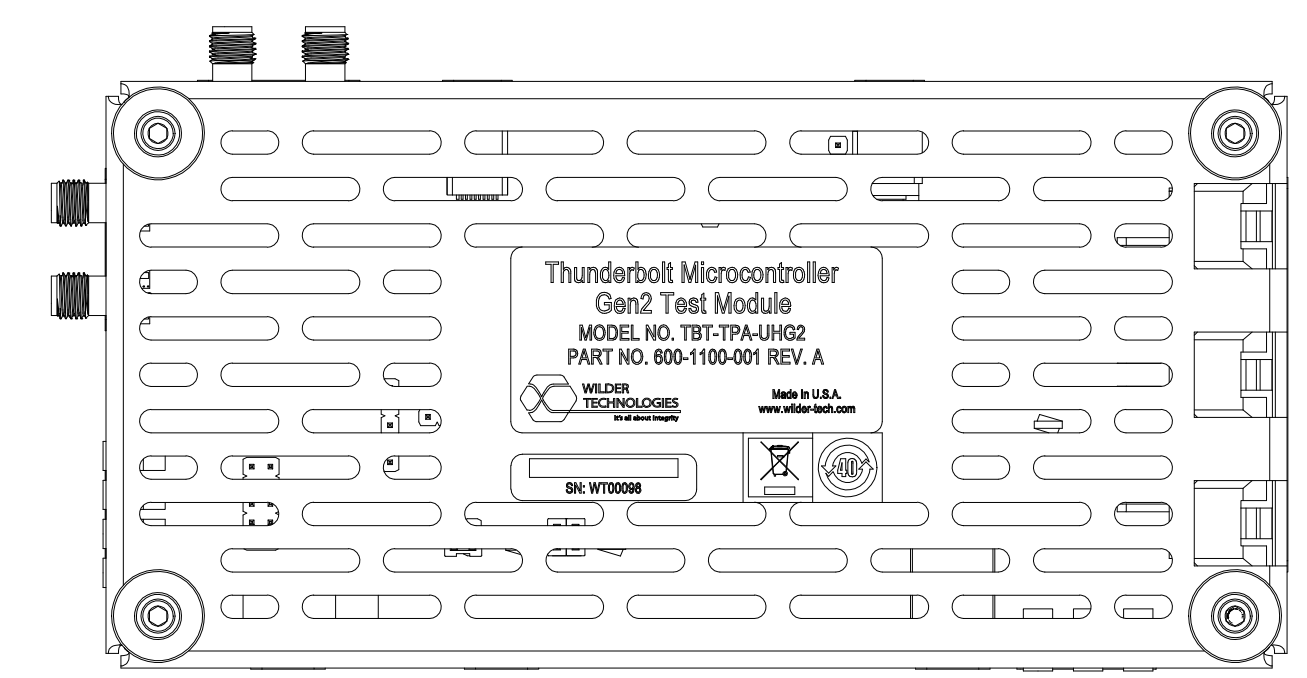
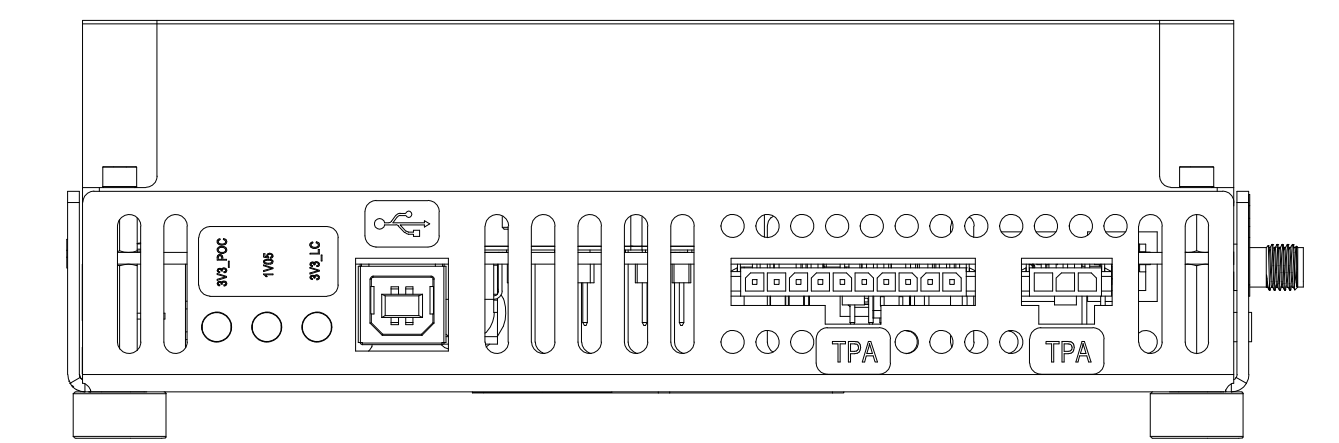
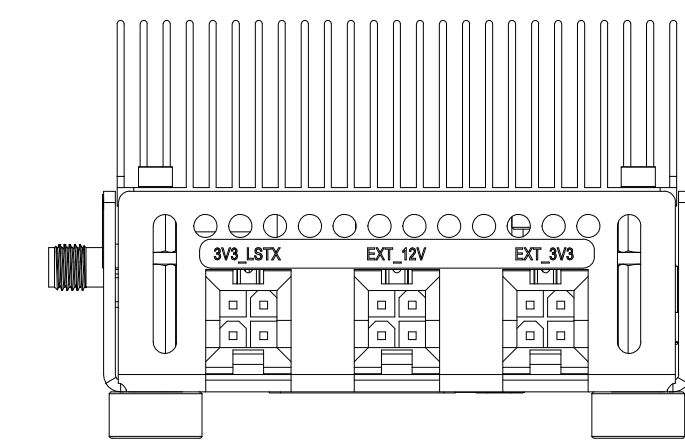
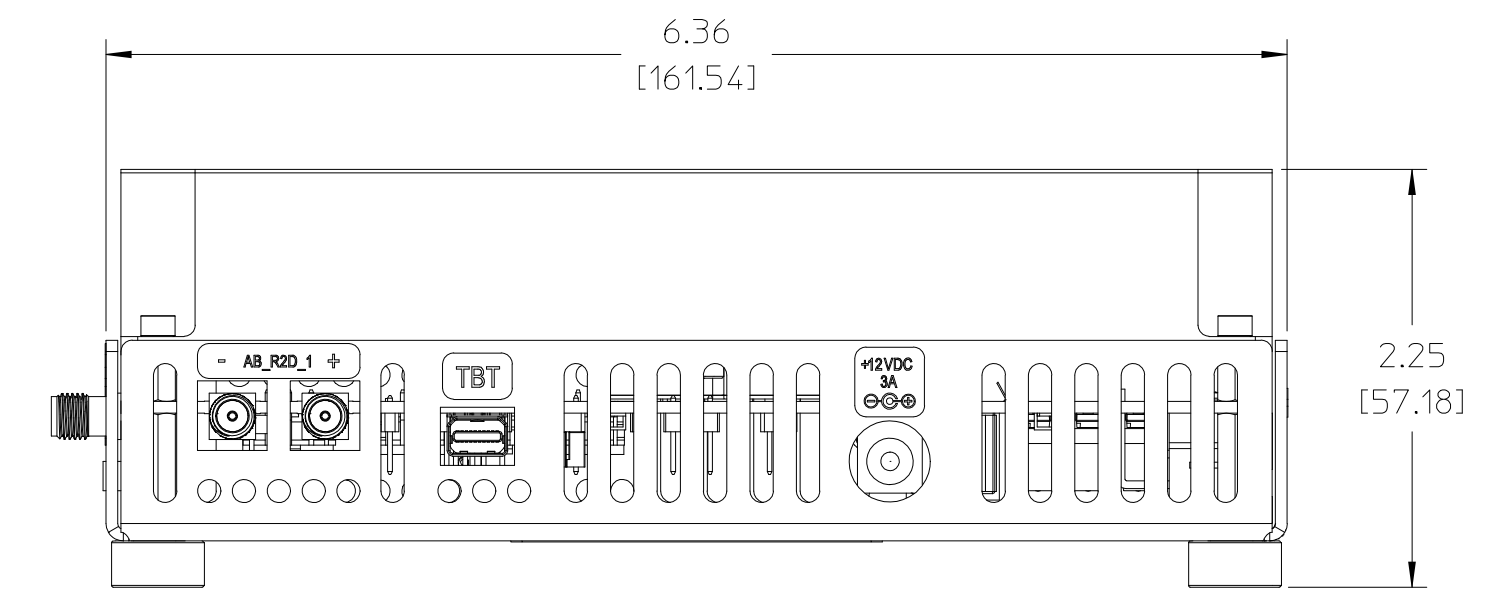
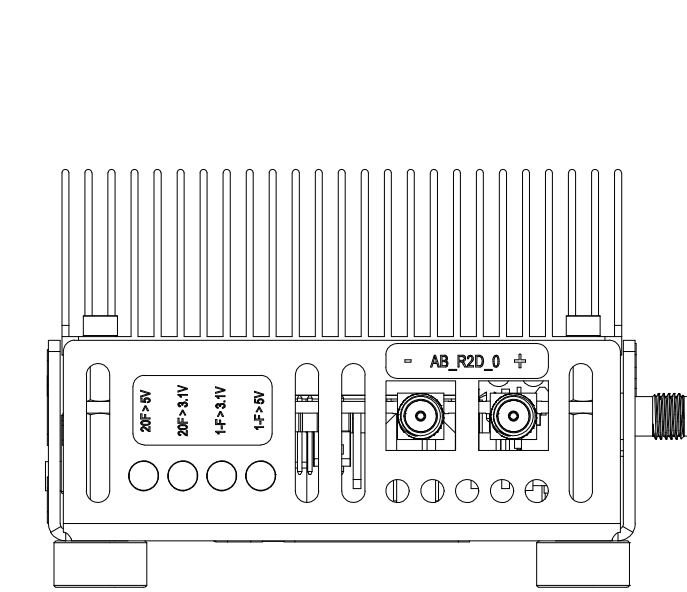
REVISIONS				
REV.	AUTH	DESCRIPTION	APVD DATE	CHK DATE
A	XXXX	INITIAL RELEASE	TD	3/14/2014



GENERAL VIEW A  
SCALE 1:2



GENERAL VIEW B  
SCALE 1:2



- NOTE: UNLESS OTHERWISE SPECIFIED
1. INTERPRET DIMENSIONS AND TOLERANCES PER ANSI-Y14.5.
  2. REFER TO THE USERS MANUAL FOR DETAILED MECHANICAL AND ELECTRICAL SPECIFICATIONS.
  3. THIS MICROCONTROLLER TEST ASSEMBLY IS SUPPLIED WITH 3 SEPARATE INPUT POWER CONNECTOR HOUSINGS AND CONTACTS TO PROVIDE USERS WITH AN OPTIONAL MEANS TO APPLY POWER.
  4. LEAD-FREE PROCESSES HAVE BEEN USED IN THIS ASSEMBLY AND IS IN COMPLIANCE WITH DIRECTIVE 2002/95/EC(ROHS DIRECTIVE) RESTRICTIVE USE OF HAZARDOUS MATERIALS.

UNLESS OTHERWISE SPECIFIED DIMENSIONS ARE INCHES (METRIC)	WILDER TECHNOLOGIES		6101A East 18th St. Vancouver, WA 98661	
	Tel: 360-859-3041 Fax: 360-859-3105 www.wildertech.com			
XXX ± .005 ± .127 ±	DRAWN BY: T. DELUCCO		DATE: 3/14/2014	
.XX ± .01 ± .25 ±	CHECKED BY:		DATE:	
X ± .12 ± .3 ±	APPROVED BY:		DATE:	
ANGLE ± °	DESCRIPTION: CUSTOMER REFERENCE DRAWING, THUNDERBOLT MICROCONTROLLER GEN 2			
FINISH:	SIZE: D	PART NUMBER: 600-1100-001	REV: A	
	SCALE: 1:1	DO NOT SCALE DRAWING	SHEET 4 OF 4	