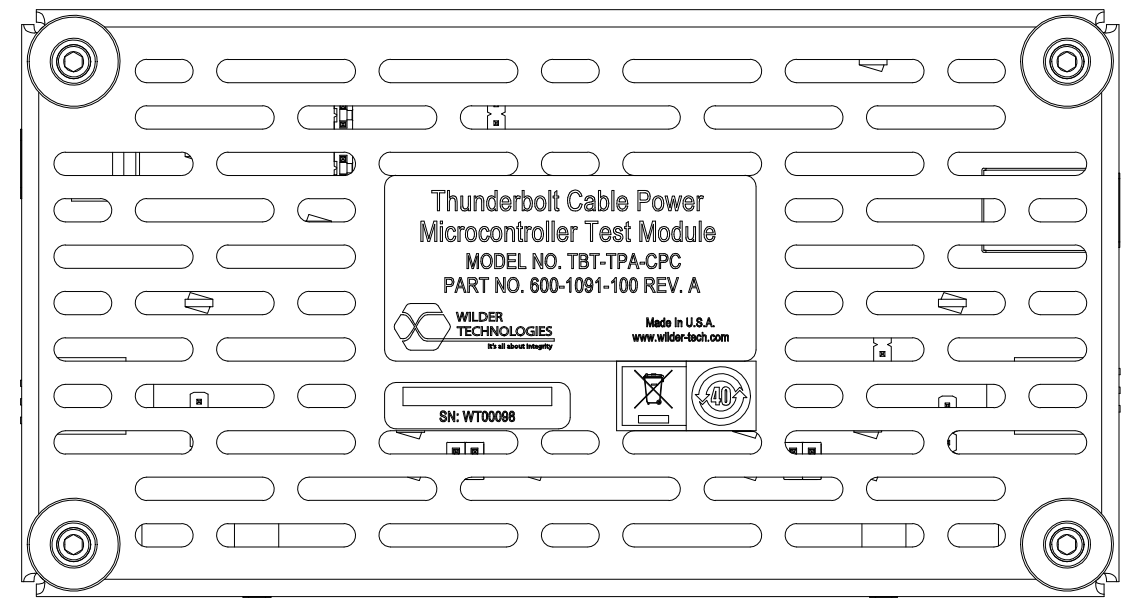
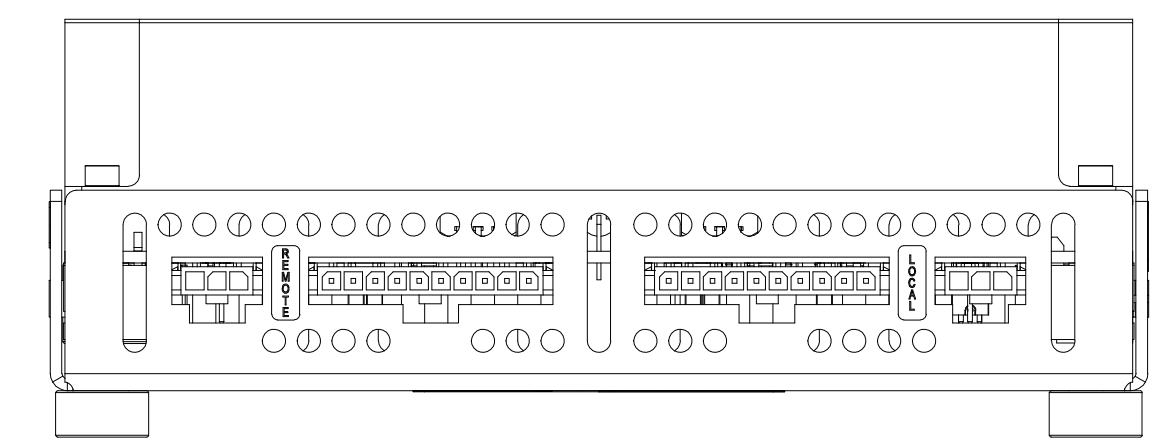
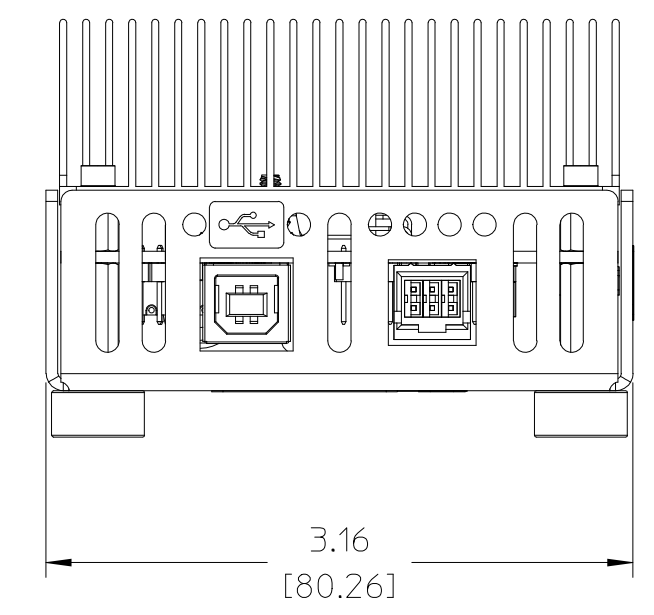
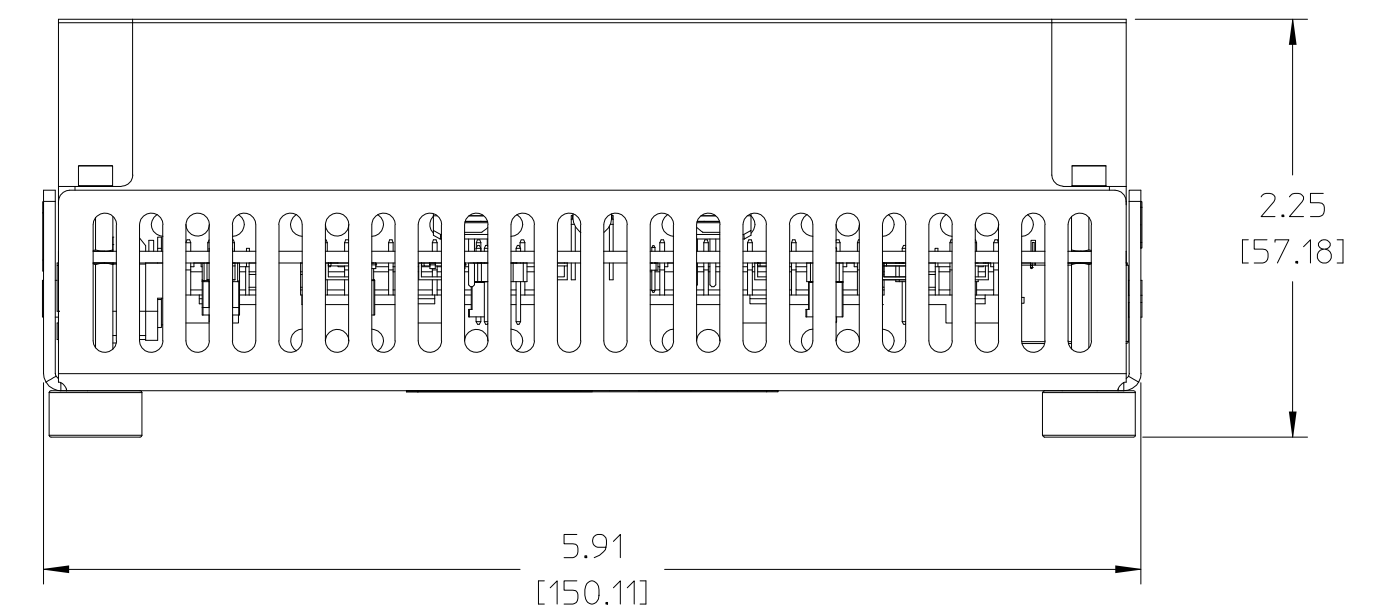
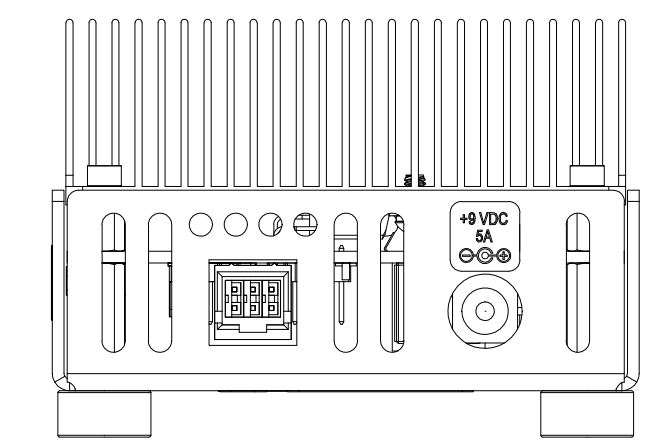
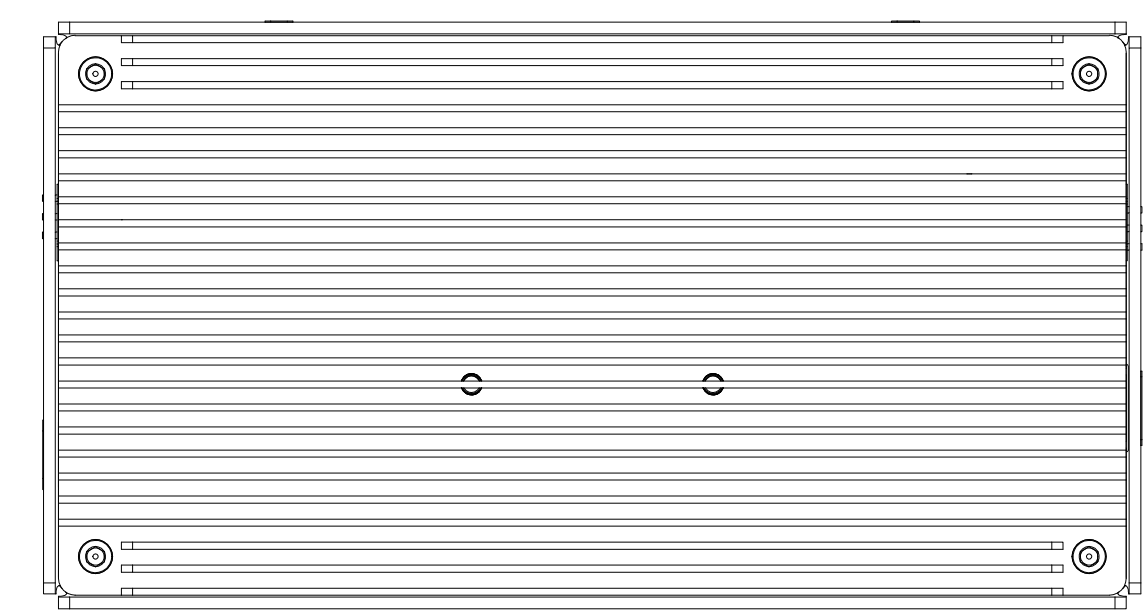



THIS DOCUMENT CONTAINS PROPRIETARY INFORMATION AND IS THE PROPERTY OF WILDER TECHNOLOGIES. THIS INFORMATION SHALL NOT BE REPRODUCED, TRANSFERRED TO OTHER DOCUMENTS, DISCLOSED TO OTHERS FOR MANUFACTURING OR ANY OTHER PURPOSE WITHOUT WRITTEN PERMISSION FROM WILDER TECHNOLOGIES.

REVISIONS				
REV	AUTH	DESCRIPTION	APVD DATE	CHK DATE
A	XXXX	INITIAL RELEASE	TD	11/14/2013



- NOTE: UNLESS OTHERWISE SPECIFIED
1. INTERPRET DIMENSIONS AND TOLERANCES PER ANSI Y14.5.
 2. REFER TO USERS MANUAL FOR DETAILED MECHANICAL AND ELECTRICAL SPECIFICATIONS.

UNLESS OTHERWISE SPECIFIED DIMENSIONS ARE INCHES (METRIC)		 610/A East 18th St. Vancouver, WA 98661 Tel: 360-859-3041 Fax: 360-859-3105 www.wilder-tech.com	
XXX ± .005 ± .127 ±	.XX ± .01 ± .25 ±	DRAWN BY: T. DELUCCO	DATE: 11/14/2013
.X ± .12 ± .3 ±	ANGLE ± 1° ± 1°	CHECKED BY:	DATE:
MATERIAL:		APPROVED BY:	
FINISH:		DESCRIPTION:	
		CUSTOMER REFERENCE DRAWING, MICROCONTROLLER, CABLE TEST, THUNDERBOLT	
SIZE: D	PART NUMBER: 600-1091-100	REV: A	
SCALE: 1:1	DO NOT SCALE DRAWING	SHEET 1 OF 3	