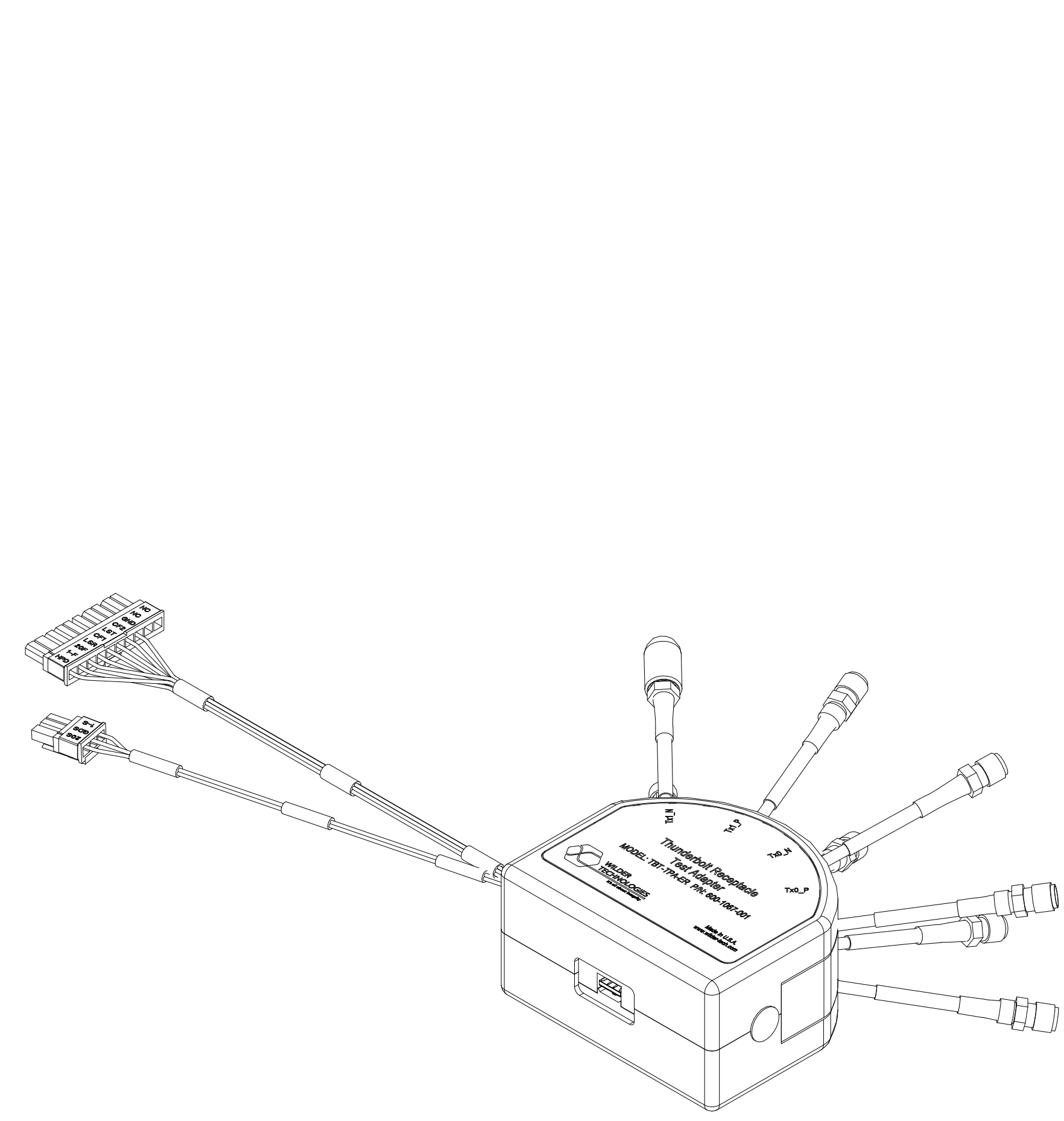
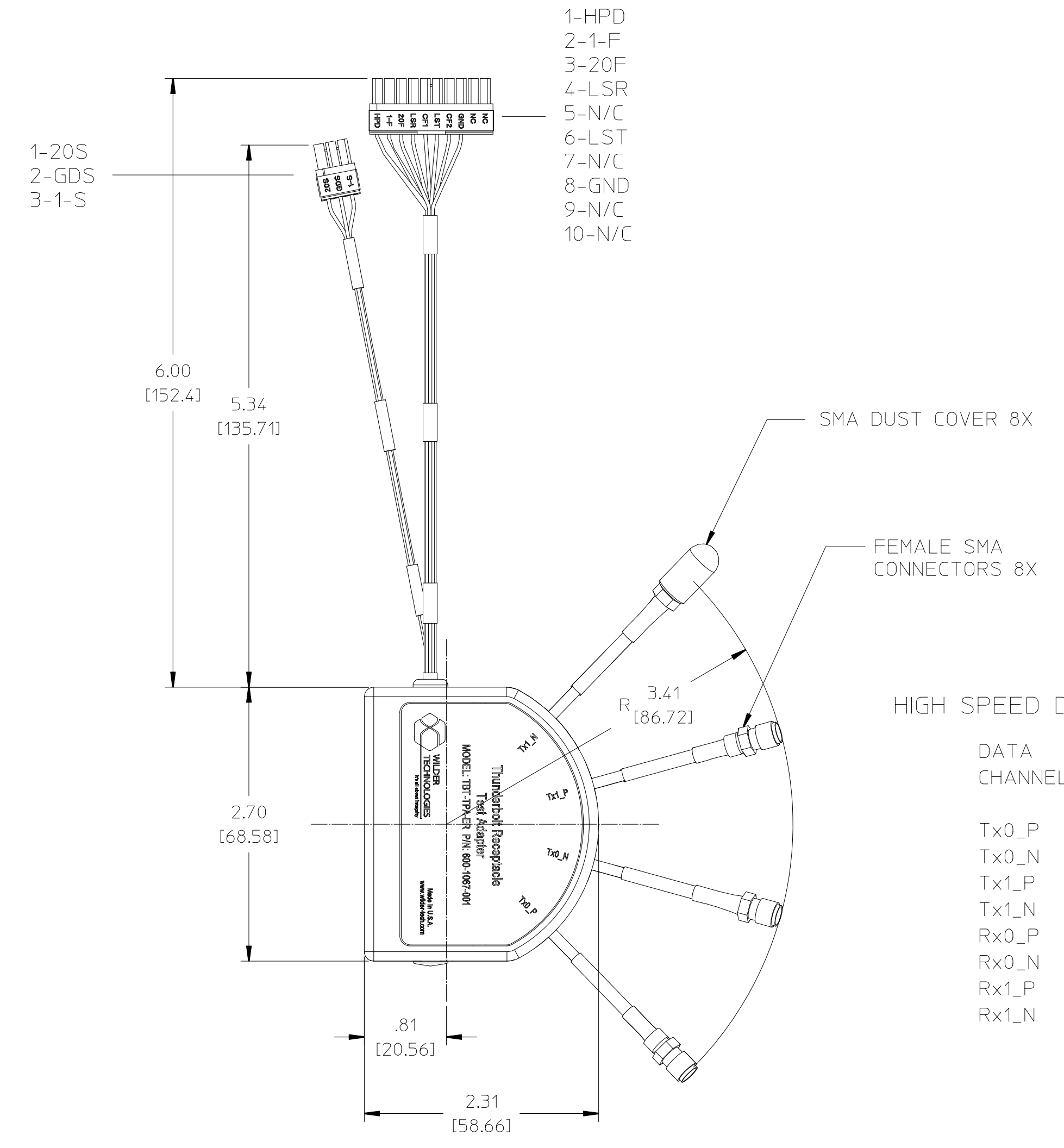


THIS DOCUMENT CONTAINS PROPRIETARY INFORMATION AND IS THE PROPERTY OF WILDER TECHNOLOGIES. THIS INFORMATION SHALL NOT BE REPRODUCED, TRANSFERRED TO OTHER DOCUMENTS, DISCLOSED TO OTHERS FOR MANUFACTURING OR ANY OTHER PURPOSE WITHOUT WRITTEN PERMISSION FROM WILDER TECHNOLOGIES.

REVISIONS				
REV	AUTH	DESCRIPTION	APVD DATE	CHK DATE
A	ECNXXXX	PRELIMINARY RELEASE		12/11/13

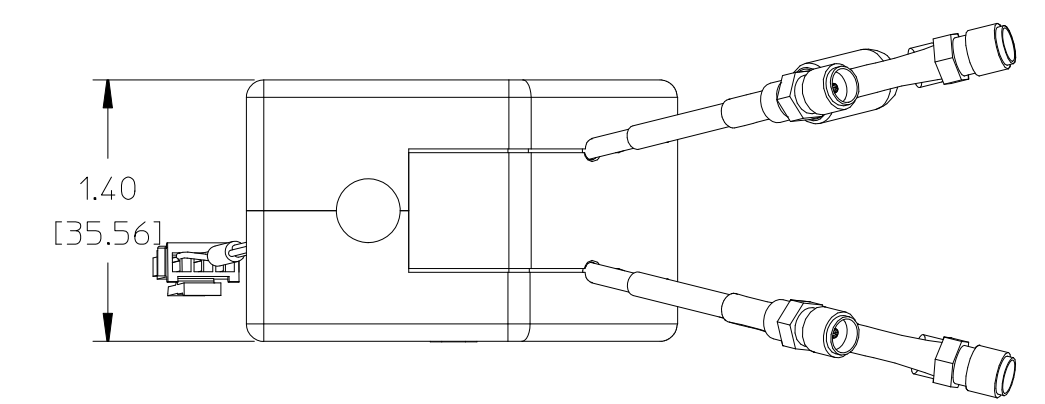
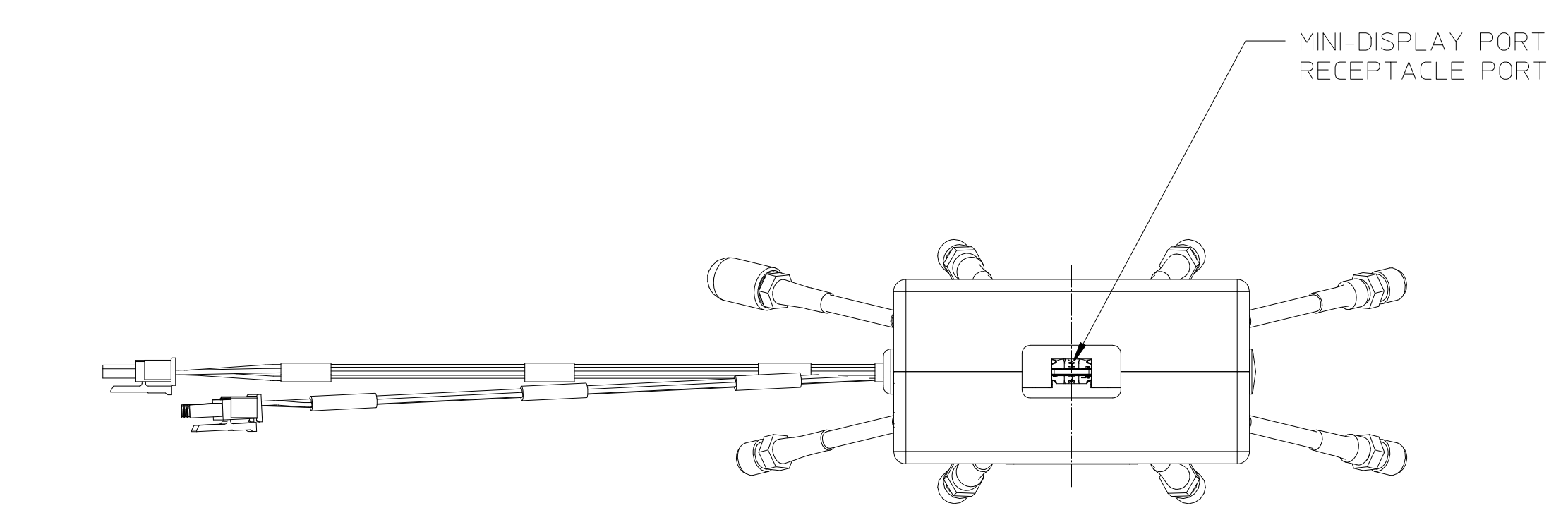


GENERAL VIEW



HIGH SPEED DATA CHANNELS

DATA CHANNEL	COLOR CODE	
Tx0_P	WHITE	TOP
Tx0_N	WHITE	
Tx1_P	YELLOW	
Tx1_N	YELLOW	
Rx0_P	BLUE	BOTTOM
Rx0_N	BLUE	
Rx1_P	GREEN	
Rx1_N	GREEN	



- NOTE: UNLESS OTHERWISE SPECIFIED
- INTERPRET DIMENSIONS AND TOLERANCES PER ANSI Y14.5.
  - REFER TO USER MANUAL FOR DETAILED MECHANICAL AND ELECTRICAL SPECIFICATIONS.
  - THIS ASSEMBLY IS SUPPLIED WITH SPARE MATING MALE LOW SPEED INTERFACE CONNECTORS AND PINS FOR USER CONFIGURATION.

UNLESS OTHERWISE SPECIFIED DIMENSIONS ARE IN INCHES (METRIC)		6101A East 18th St. Vancouver, WA 98661 Tel: 360-859-3041 Fax: 360-859-3105 www.wilder-tech.com	
XXX ± .005 ± .127 ±	XX ± .01 ± .25 ±	DRAWN BY: W. STANLEY	DATE: 12/11/13
X ± .12 ± .3 ±	ANGLE ± 1° ± 1°	CHECKED BY:	DATE:
MATERIAL:	APPROVED BY:	DESCRIPTION:	
		FINAL ASSEMBLY, THUNDERBOLT ER RECEPTACLE W/O CFG TBT-TPA-ER	
FINISH:	SIZE PART NUMBER:	REV	
	D 600-1067-001	A	
SCALE: 1:1 DO NOT SCALE DRAWING		SHEET 1 OF 2	