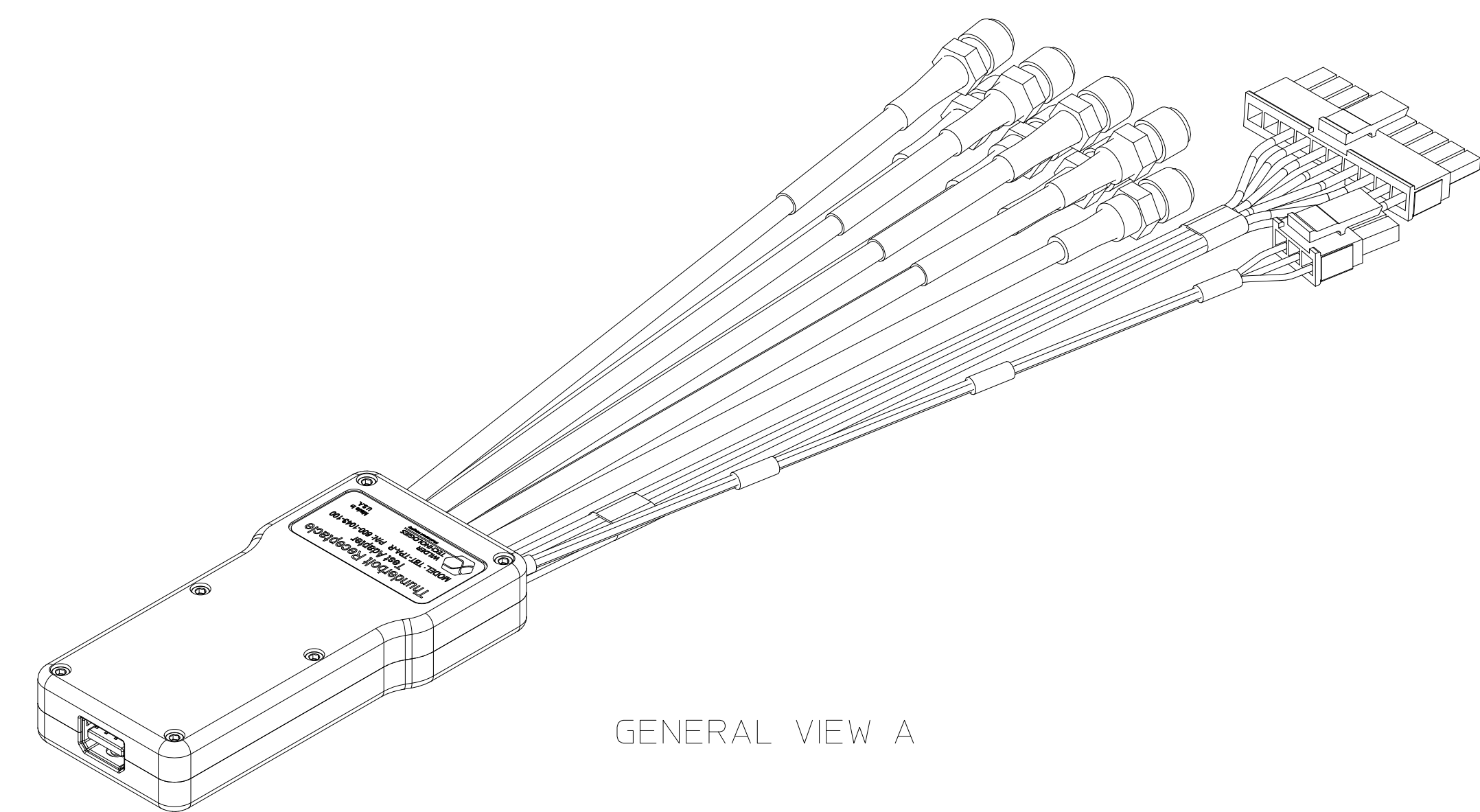
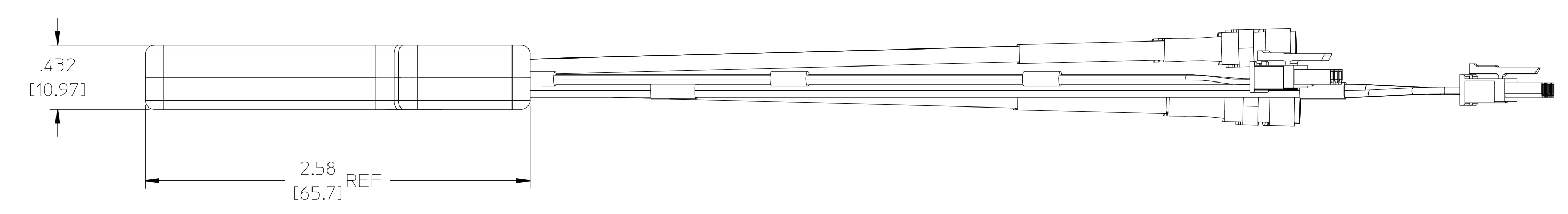
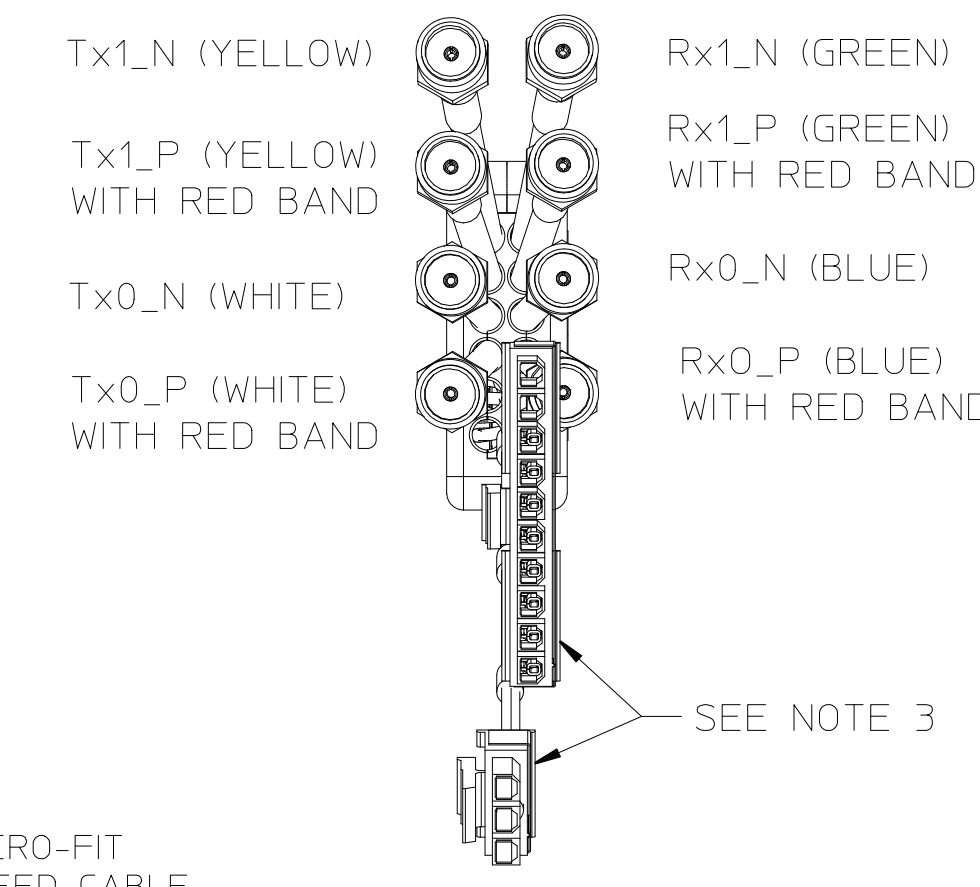
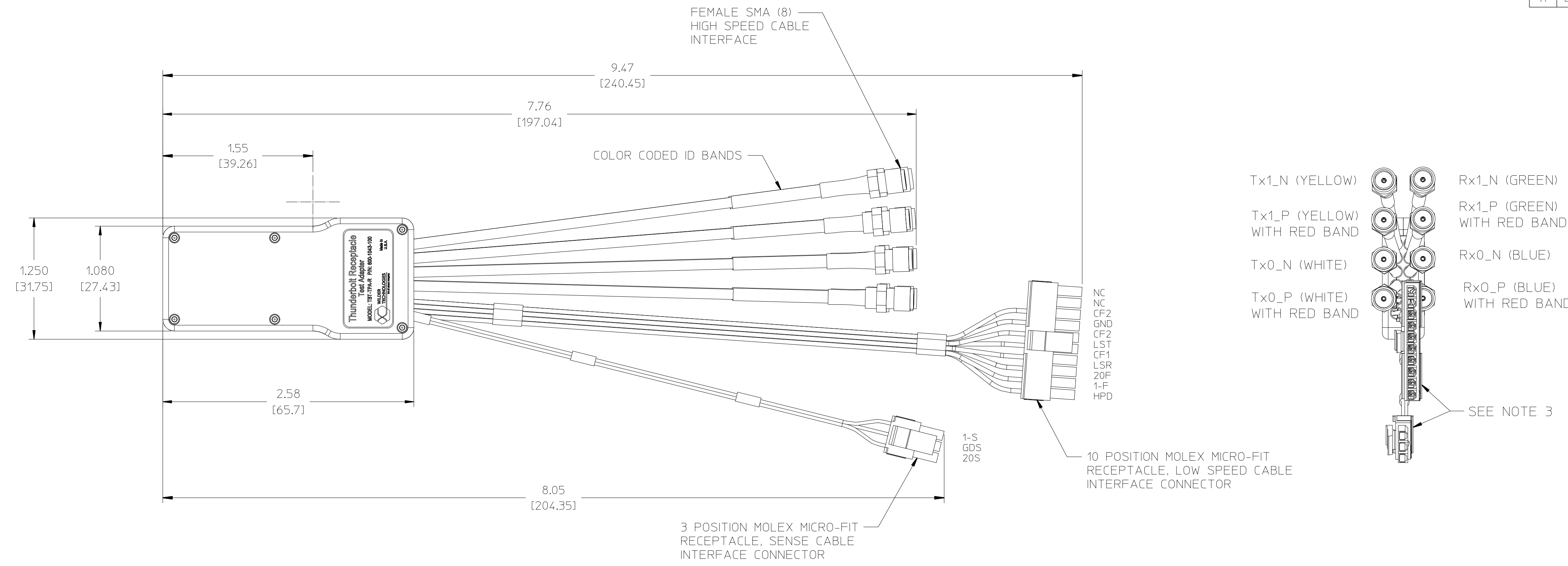


REVISIONS				
REV	AUTH	DESCRIPTION	APVD DATE	CHK DATE
A	ECNXXXX	INITIAL RELEASE	WS	3/22/2012
A	ECNXXXX	UPDATED LOWSPEED CABLE DESIGNATIONS	WS	12/7/2012



- NOTE: UNLESS OTHERWISE SPECIFIED
1. INTERPRET DIMENSIONS AND TOLERANCES PER ANSI Y14.5.
 2. REFER TO THE USERS MANUAL FOR DETAILED MECHANICAL AND ELECTRICAL SPECIFICATIONS.
 3. A LOW-SPEED PLUG CONNECTOR AND CONTACT PINS ARE PROVIDED WITH THIS PRODUCT TO ALLOW USERS TO INTERFACE WITH THIS ASSEMBLY.

UNLESS OTHERWISE SPECIFIED DIMENSIONS ARE INCHES (METRIC) XXX + .005 + .127 + XX + .01 + .25 + X + .12 + .5 + ANGLE + 1° + 1°		6101A East 18th St Vancouver, WA 98661 Tel: 360-859-3041 Fax: 360-859-3105 www.wilder-tech.com	
		DRAWN BY: W. STANLEY	DATE: 3/22/2012
MATERIAL:		CHECKED BY:	DATE:
APPROVED BY:		DATE:	
DESCRIPTION: FINAL ASSEMBLY, THUNDERBOLT RECEPTACLE W/SENSE TBT-TPA-R			
FINISH:	SIZE: D	PART NUMBER: 600-1043-100	REV: A
SCALE: 15:1		DO NOT SCALE DRAWING SHEET 1 OF 2	