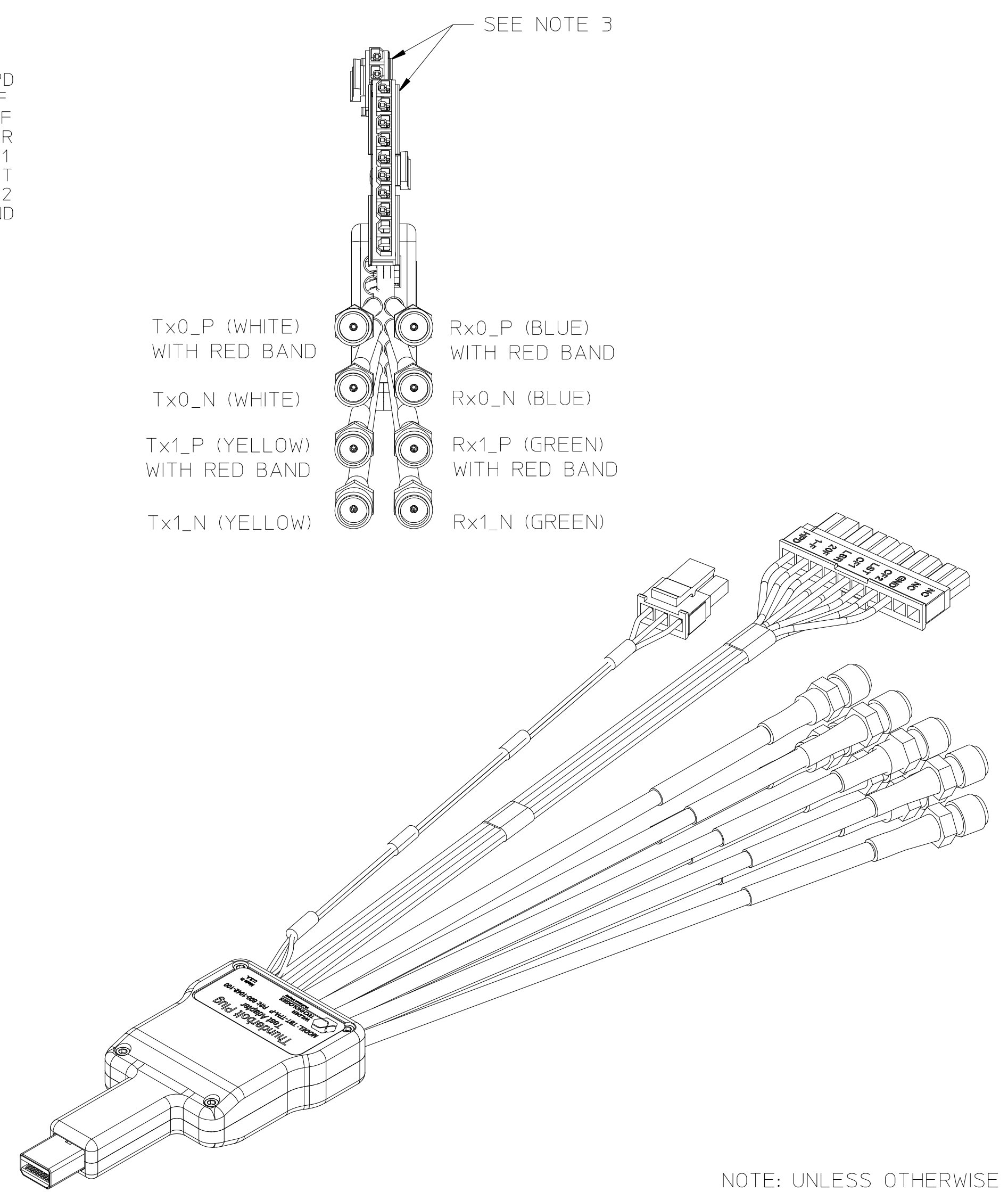
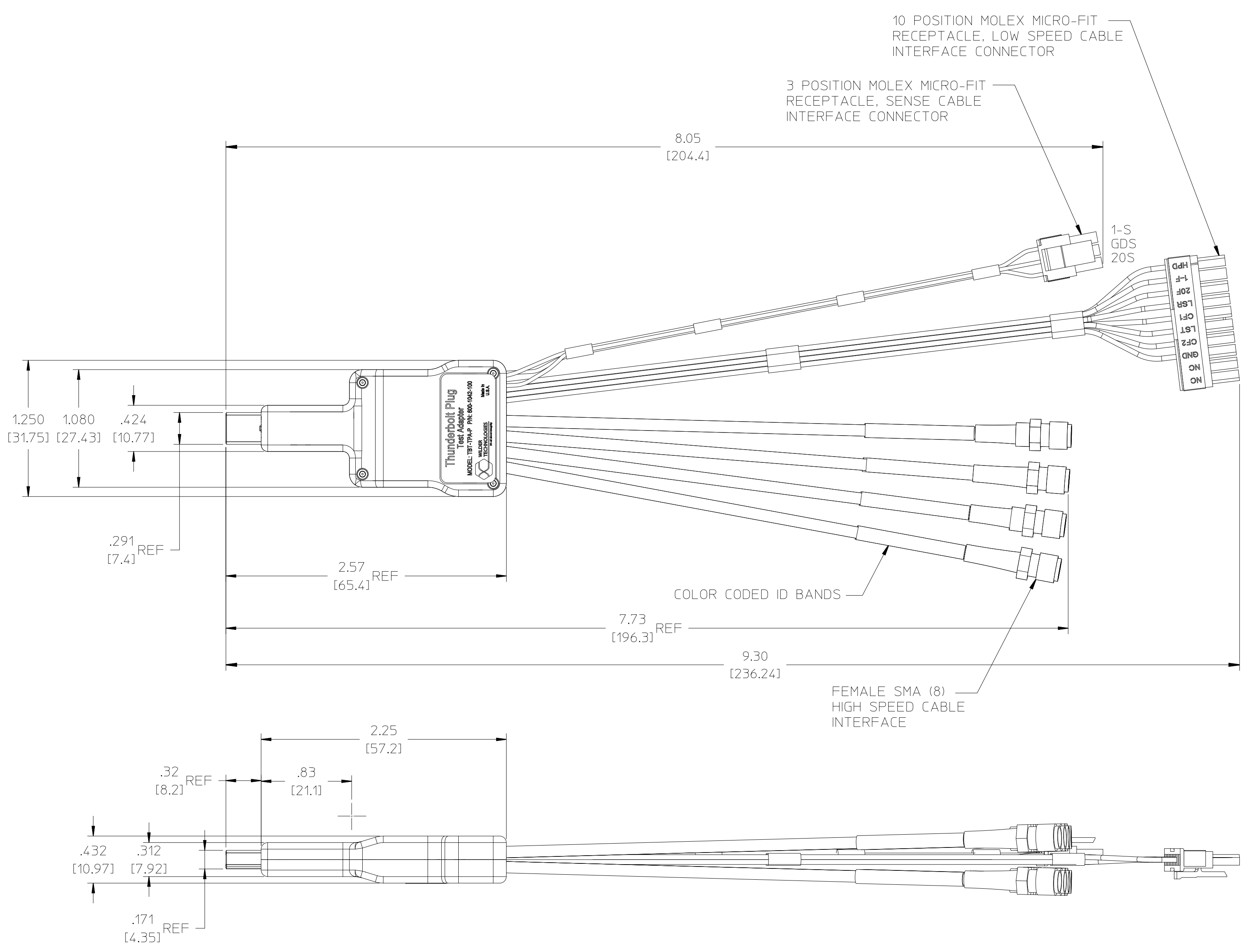


REVISIONS				
REV	AUTH	DESCRIPTION	APVD DATE	CHK DATE
A	ECNXXXX	INITIAL RELEASE		3/21/2012
A	ECNXXXX	UPDATED LOW SPEED CABLE LABELING		12/6/2012



- NOTE: UNLESS OTHERWISE SPECIFIED
1. INTERPRET DIMENSIONS AND TOLERANCES PER ANSI Y14.5.
  2. REFER TO THE USERS MANUAL FOR DETAILED MECHANICAL AND ELECTRICAL SPECIFICATIONS.
  3. A LOW-SPEED PLUG CONNECTOR AND CONTACT PINS ARE PROVIDED WITH THIS PRODUCT TO ALLOW USERS TO INTERFACE WITH THIS ASSEMBLY.

UNLESS OTHERWISE SPECIFIED DIMENSIONS ARE INCHES (METRIC)		6101A East 18th St Vancouver, WA 98661 Tel: 360-859-3041 Fax: 360-859-3105 www.wildertech.com	
XXX ± .005 ± .127 ±	XX ± .01 ± .25 ±	XX ± .01 ± .25 ±	XX ± .01 ± .25 ±
X ± .12 ± .3 ±	ANGLE ± 1° ± 1°		
DRAWN BY: W. STANLEY	DATE: 3/21/2012	CHECKED BY:	DATE:
APPROVED BY:	DATE:	DESCRIPTION: FINAL ASSEMBLY, THUNDERBOLT PLUG W/SENSE TBT-TPA-P	
FINISH:	SIZE PART NUMBER: D 600-1042-100	REV A	
SCALE: 15:1	DO NOT SCALE DRAWING	SHEET 1 OF 2	