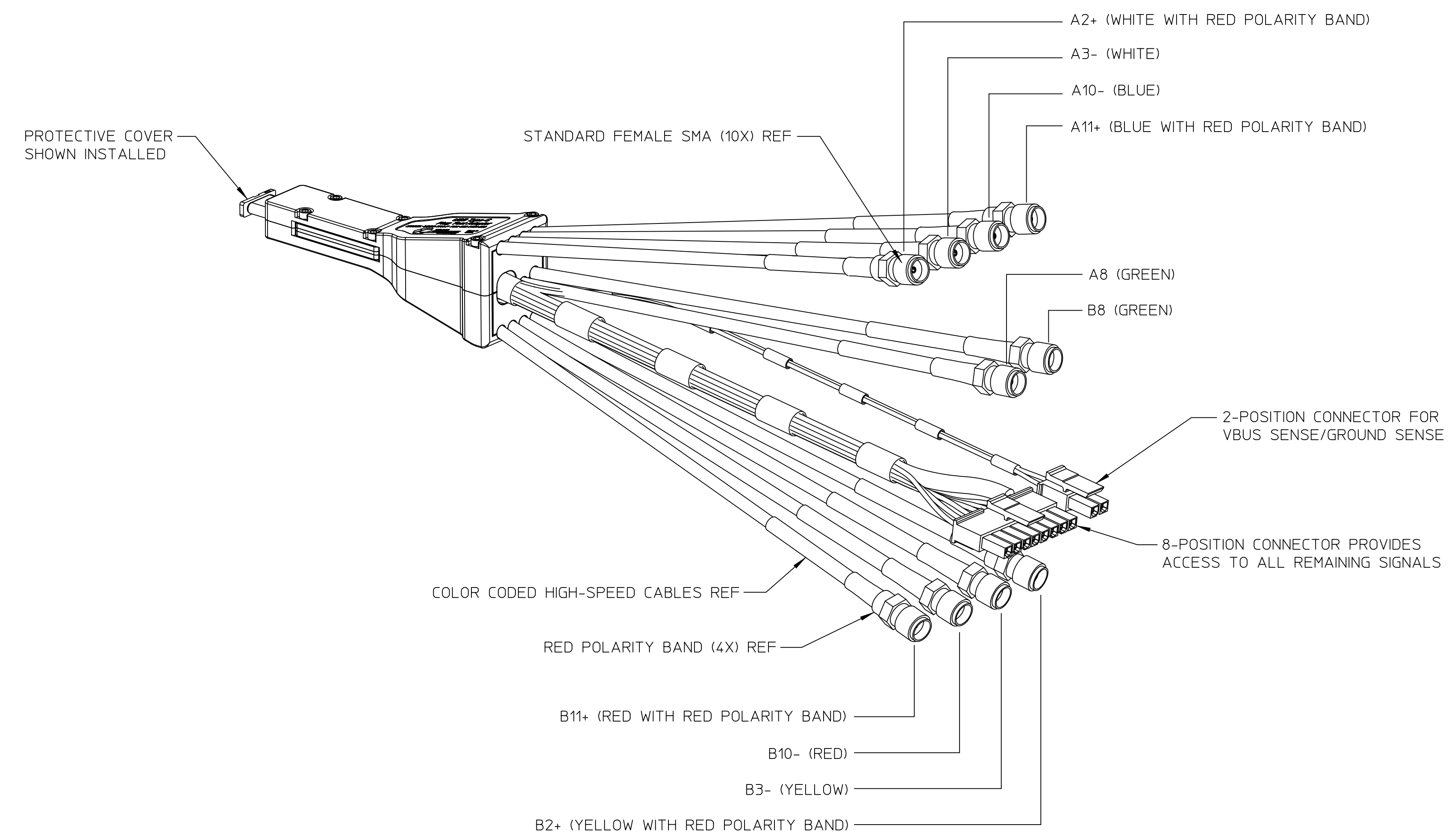
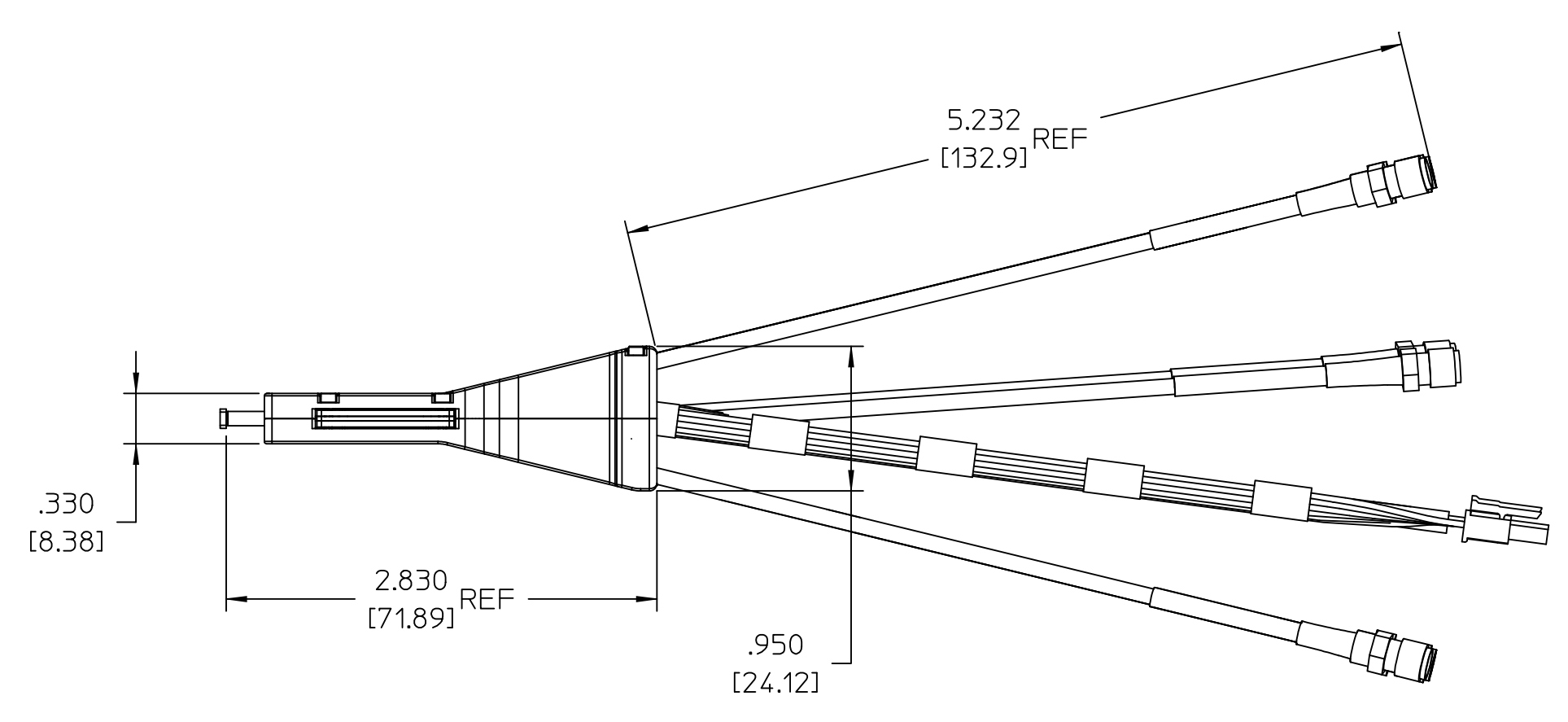
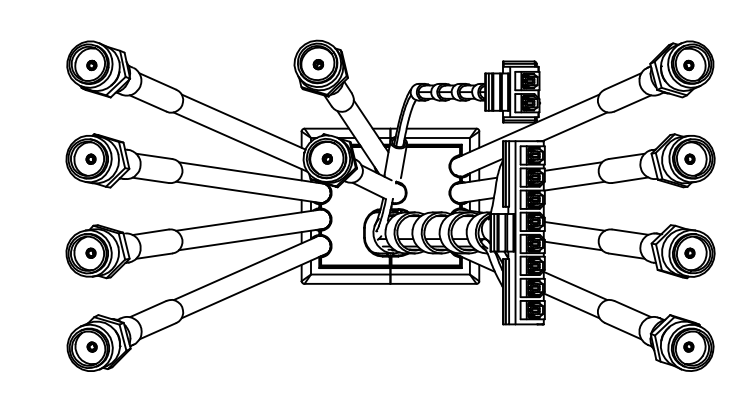
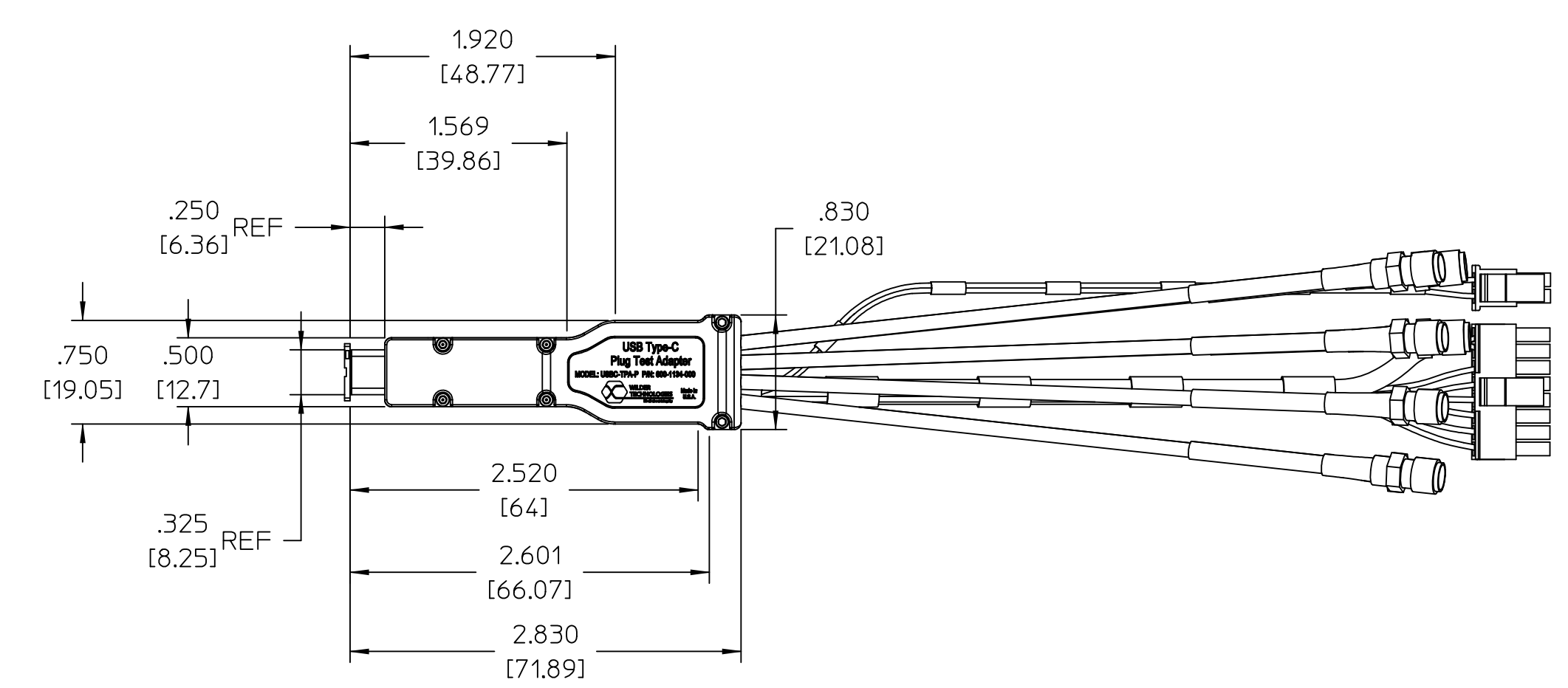


THIS DOCUMENT CONTAINS PROPRIETARY INFORMATION AND IS THE PROPERTY OF WILDER TECHNOLOGIES. THIS INFORMATION SHALL NOT BE REPRODUCED, TRANSFERRED TO OTHER DOCUMENTS, DISCLOSED TO OTHERS FOR MANUFACTURING OR ANY OTHER PURPOSE WITHOUT WRITTEN PERMISSION FROM WILDER TECHNOLOGIES.

REVISIONS				
REV	AUTH	DESCRIPTION	APVD DATE	CHK DATE
A	XXXX	INITIAL RELEASE	TD	4/4/2016



GENERAL VIEW A
SCALE 1.5:1

- NOTE: UNLESS OTHERWISE SPECIFIED
1. INTERPRET DIMENSIONS AND TOLERANCES PER ANSI Y14.5.
 2. REFER TO THE USERS MANUAL FOR DETAILED MECHANICAL AND ELECTRICAL SPECIFICATIONS.
 3. LEAD-FREE PROCESSES ARE USED IN MANUFACTURING THIS PRODUCT. THIS TEST ADAPTER COMPLIES WITH EC DIRECTIVE 2002/95/EC (ROHS DIRECTIVE) RESTRICTIVE USE OF HAZARDOUS SUBSTANCES.
 4. THIS TEST ADAPTER IS SUPPLIED WITH SEPARATE 2-POSITION AND 8-POSITION INTERFACE RECEPTACLES AND CONTACTS TO ALLOW USERS TO CONNECT TO THIS ASSEMBLY FOR ACCESS TO ALL SIGNAL POSITIONS.

UNLESS OTHERWISE SPECIFIED DIMENSIONS ARE INCHES (METRIC)				4101A East 18th St. Vancouver, WA 98661 Tel: 360-859-3041 Fax: 360-859-3105 www.wilder-tech.com	
XXX * .005 * .127 *	XX * .01 * .25 *	XX * .01 * .25 *	XX * .01 * .25 *	DRAWN BY: T. DELUCCO	DATE: 4/4/2016
X * .12 * 3 *	ANGLE * 1°	1°	1°	CHECKED BY:	DATE:
MATERIAL:	APPROVED BY:		DATE:		
DESCRIPTION:					
CUSTOMER REFERENCE DRAWING, FINAL ASSY, USB TYPE-C PLUG TPA					
FINISH:	SIZE	PART NUMBER:	REV		
	D	600-1134-000	A		
SCALE: 1:1		DO NOT SCALE DRAWING		SHEET 3 OF 3	