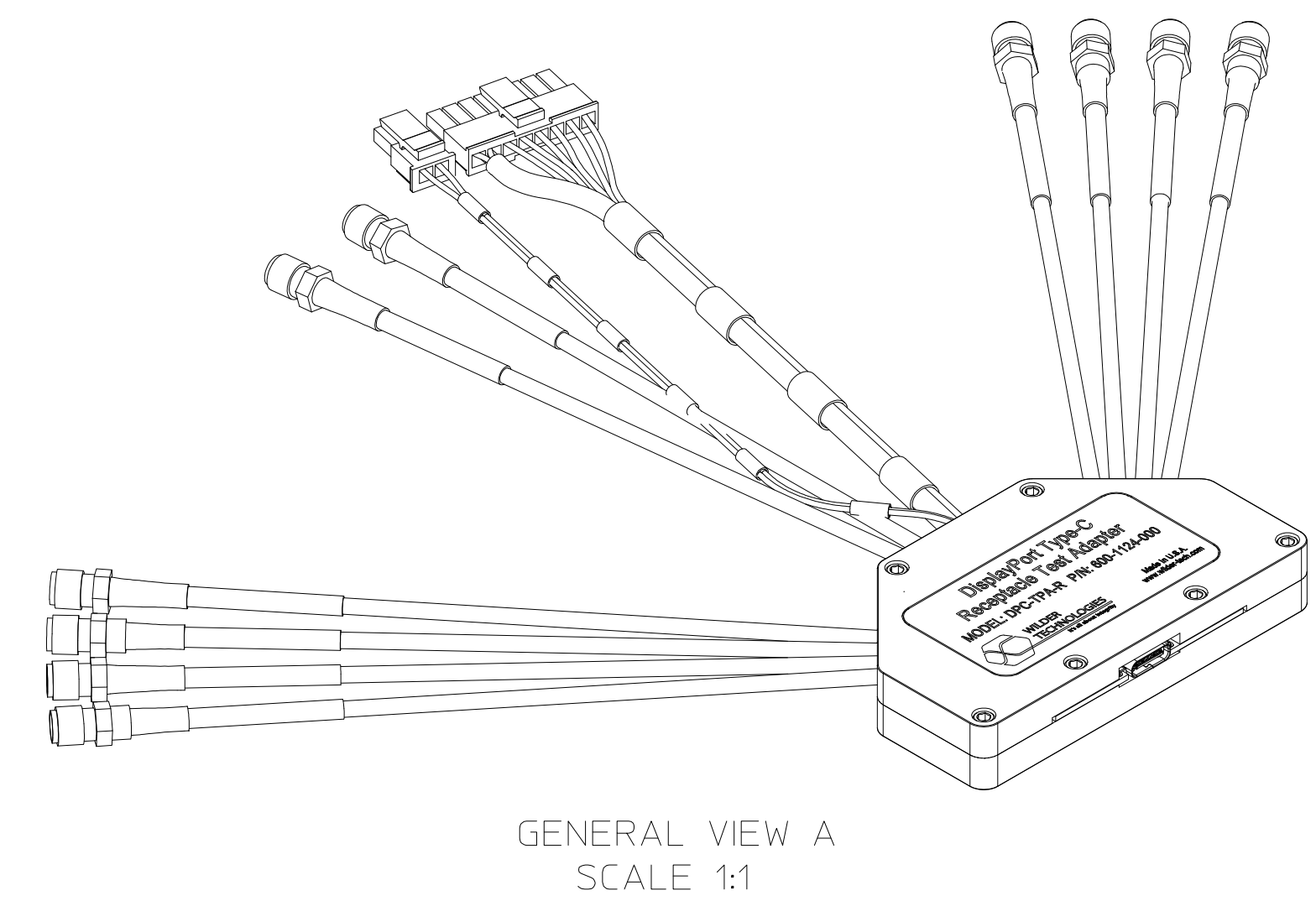
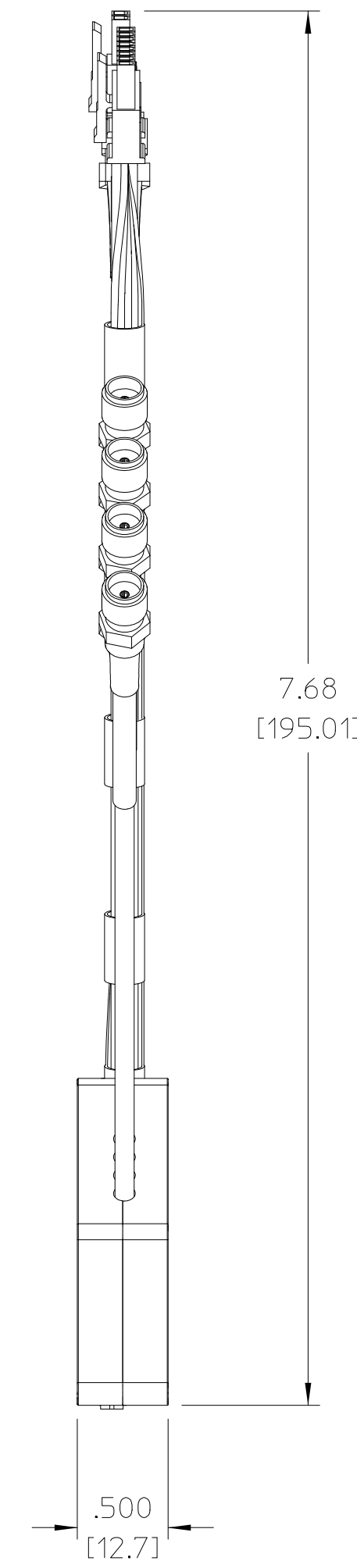
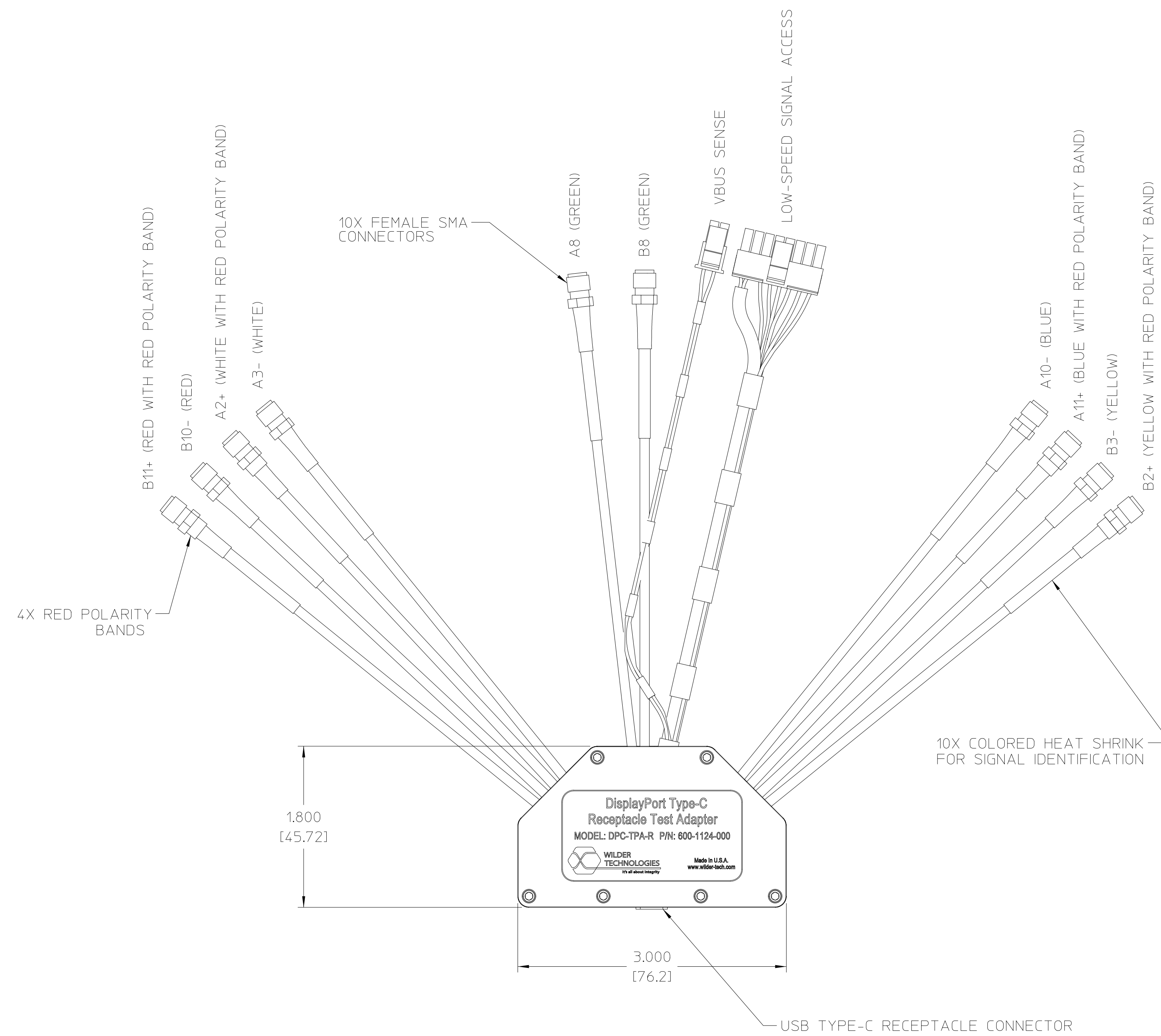


THIS DOCUMENT CONTAINS PROPRIETARY INFORMATION AND IS THE PROPERTY OF WILDER TECHNOLOGIES. THIS INFORMATION SHALL NOT BE REPRODUCED, TRANSFERRED TO OTHER DOCUMENTS, DISCLOSED TO OTHERS FOR MANUFACTURING OR ANY OTHER PURPOSE WITHOUT WRITTEN PERMISSION FROM WILDER TECHNOLOGIES.

REVISIONS				
REV.	AUTH	DESCRIPTION	APVD DATE	CHK DATE
A	XXXX	INITIAL RELEASE	TD	1/4/2016



NOTE: UNLESS OTHERWISE SPECIFIED

1. INTERPRET DIMENSIONS AND TOLERANCES PER ANSI-Y14.5.
2. REFER TO THE USERS MANUAL FOR DETAILED MECHANICAL AND ELECTRICAL SPECIFICATIONS.
3. THIS TEST ADAPTER ASSEMBLY IS SUPPLIED WITH 2 SEPARATE CONNECTOR HOUSINGS AND CONTACTS TO PROVIDE USERS WITH ACCESS TO LOW-SPEED SIGNALS AND VBUS POWER SENSE.
4. LEAD-FREE PROCESSES HAVE BEEN USED IN THIS ASSEMBLY AND IS IN COMPLIANCE WITH DIRECTIVE 2002/95/EC(RoHS DIRECTIVE) RESTRICTIVE USE OF HAZARDOUS MATERIALS.

UNLESS OTHERWISE SPECIFIED DIMENSIONS ARE INCHES (METRIC)	.XXX ±	.005 ±	.127 ±
	.XX ±	.01 ±	.25 ±
	.X ±	.12 ±	.3 ±
ANGLE ±	1°	1°	
MATERIAL:	WILDER TECHNOLOGIES 6101A East 18th St. Vancouver, WA 98661 Tel: 360-859-3041 Fax: 360-859-3105 www.wilder-tech.com		
FINISH:	DRAWN BY: T. DELUCCO	DATE: 1/4/2016	REV: A
	CHECKED BY:	DATE:	
	APPROVED BY:	DATE:	
	DESCRIPTION: CUSTOMER REFERENCE DRAWING, DISPLAYPORT RECEPTACLE TEST ADAPTER		
	SIZE: D	PART NUMBER: 600-1124-000	SCALE: 1:25:1
	DO NOT SCALE DRAWING		SHEET 3 OF 3