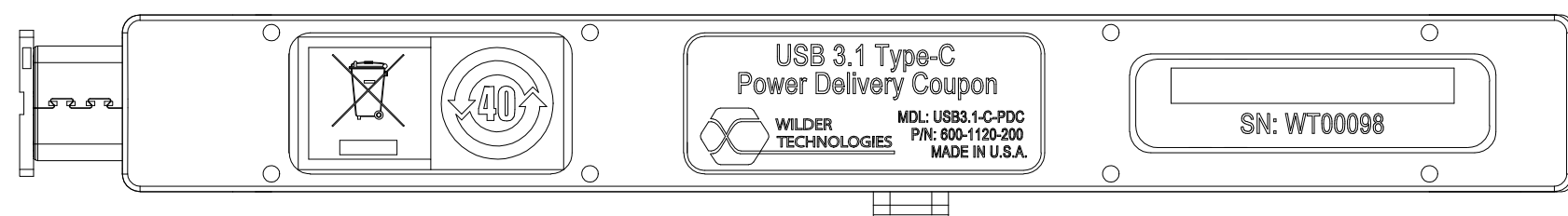
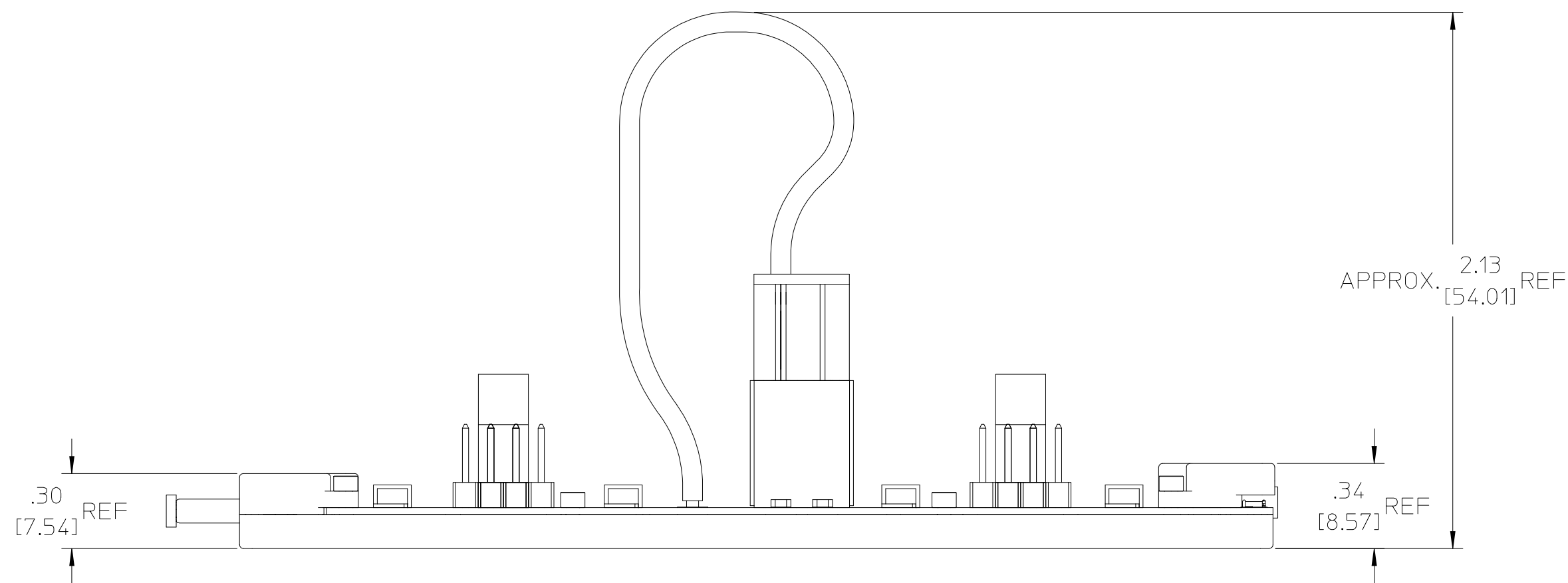
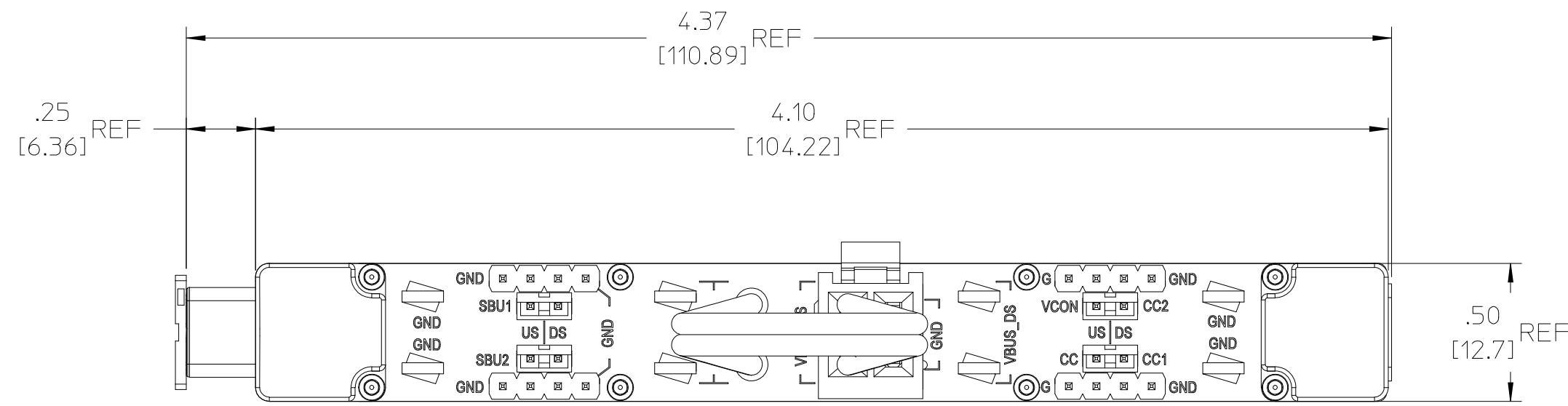


REVISIONS

REV	AUTH	DESCRIPTION	APVD DATE	CHK DATE
A	XXXX	INITIAL RELEASE	TD	4/10/15



NOTE: UNLESS OTHERWISE SPECIFIED

1. INTERPRET DIMENSIONS AND TOLERANCES PER ANSI Y14.5.
2. LEAD FREE PROCESSES USED. COMPLIES WITH EC DIRECTIVE 2002/95/EC (RoHS DIRECTIVE) RESTRICTIVE USE OF HAZARDOUS SUBSTANCES.
3. A SEPARATE POWER CONNECTOR RECEPTACLE AND CONTACTS ARE INCLUDED WITH THIS ASSEMBLY FOR USER SPECIFIC APPLICATIONS.

UNLESS OTHERWISE SPECIFIED DIMENSIONS ARE INCHES [METRIC] .XXX ± .005 ± .127 ± .XX ± .01 ± .25 ± .X ± .12 ± .3 ± ANGLE ± 1° 1°	6101A East 18th St. Vancouver, WA 98661 Tel: 360-859-3041 Fax: 360-859-3105 www.wilder-tech.com	
	DRAWN BY: T. DELUCCO CHECKED BY:	DATE: 4/10/2015 DATE:
MATERIAL:	APPROVED BY:	
SEE NOTE 2	DESCRIPTION: FINAL ASSEMBLY. POWER DELIVERY COUPON, USB 3.1 TYPE-C, CUSTOMER REFERENCE DRAWING	
FINISH:	SIZE: C PART NUMBER: 600-1120-200	REV: A
SCALE: 2:1		DO NOT SCALE DRAWING
		SHEET 1 OF 1