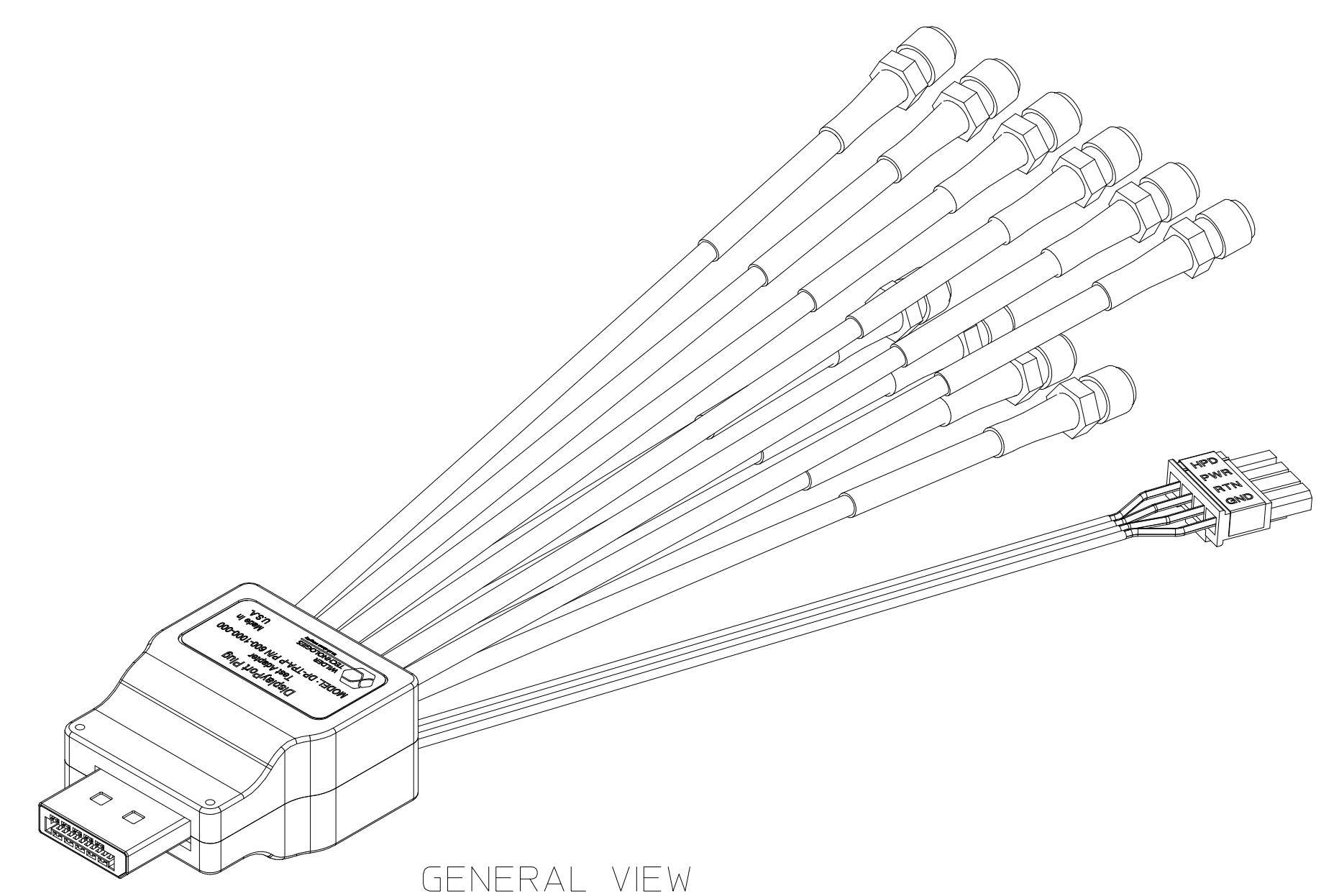
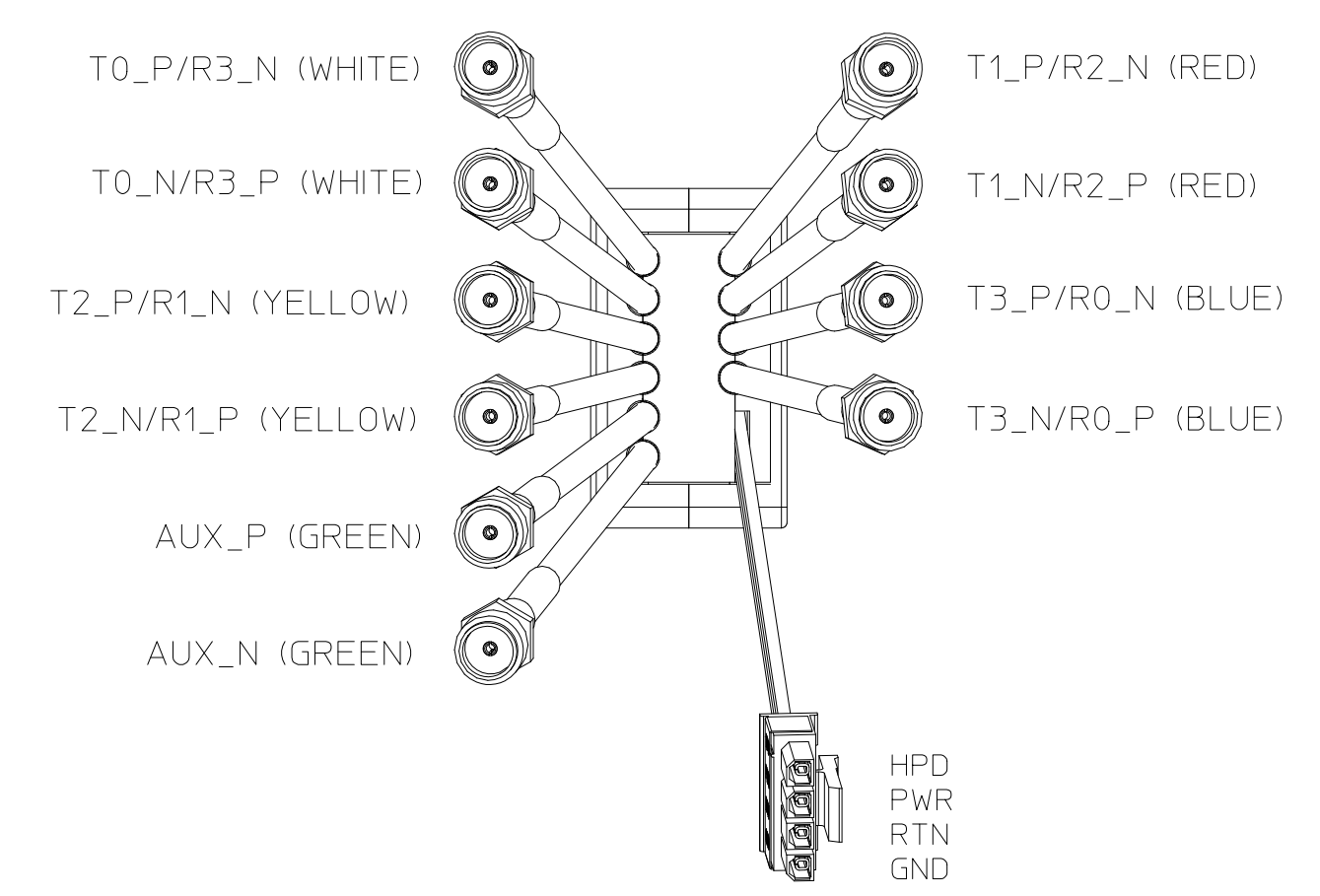
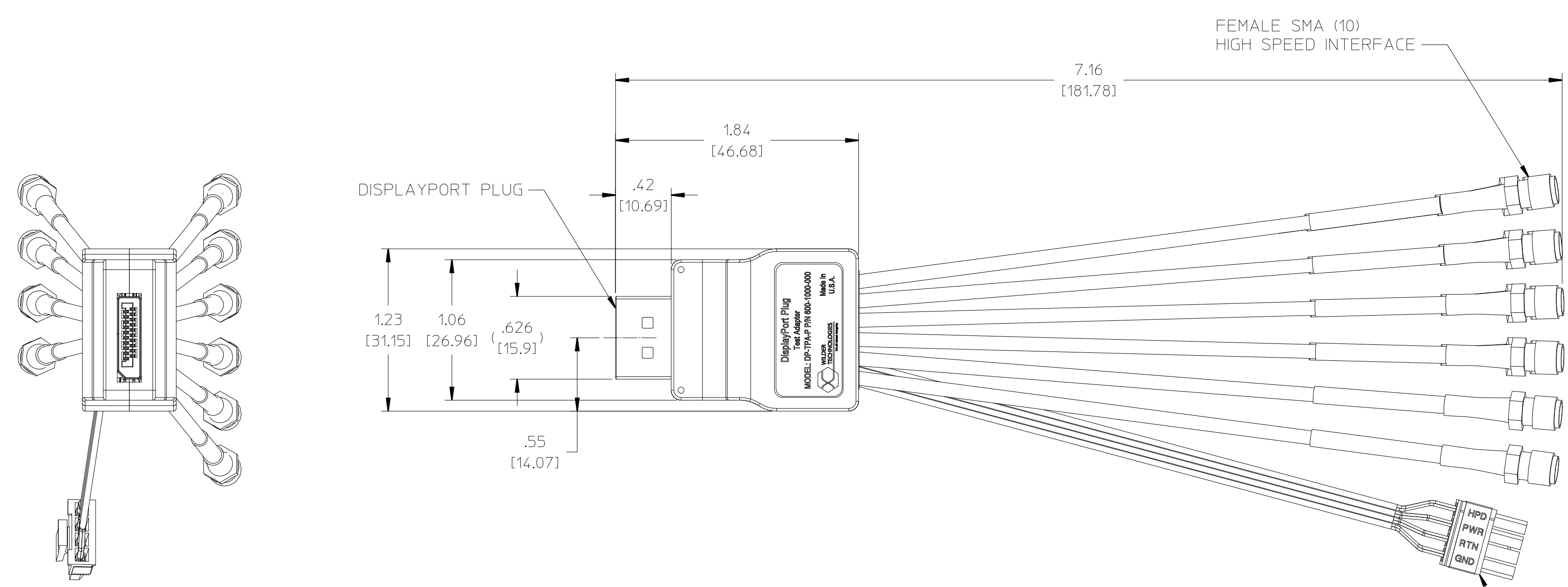
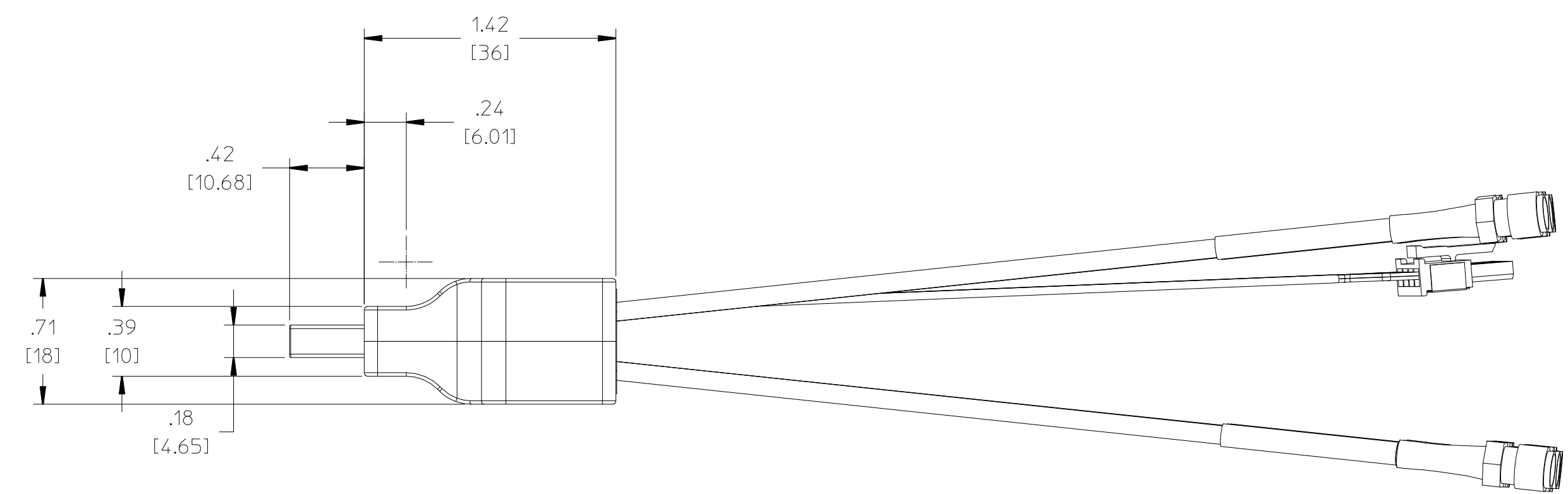


THIS DOCUMENT CONTAINS PROPRIETARY INFORMATION AND IS THE PROPERTY OF WILDER TECHNOLOGIES. THIS INFORMATION SHALL NOT BE REPRODUCED, TRANSFERRED TO OTHER DOCUMENTS, DISCLOSED TO OTHERS FOR MANUFACTURING OR ANY OTHER PURPOSE WITHOUT WRITTEN PERMISSION FROM WILDER TECHNOLOGIES.

REVISIONS				
REV	AUTH	DESCRIPTION	APVD DATE	CHK DATE



1. INTERPRET DIMENSIONS AND TOLERANCES PER ANSI Y14.5.
 2. REFER TO THE USERS MANUAL FOR DETAILED MECHANICAL AND ELECTRICAL SPECIFICATIONS.
 3. THE LOW-SPEED INTERFACE CABLE ASSEMBLY CONTAINS A SEPARATE MATING PLUG AND CONTACT PINS TO ALLOW USERS TO CONNECT TO THIS ASSEMBLY.
- NOTE: UNLESS OTHERWISE SPECIFIED

UNLESS OTHERWISE SPECIFIED, DIMENSIONS ARE INCHES (METRIC)		6101A East 18th St Vancouver, WA 98661 Tel: 360-859-3041 Fax: 360-859-3105 www.wilder-tech.com	
XXX + .005 + .027 +	XX + .01 + .25 +	DRAWN BY: W. STANLEY	DATE: 5-16-2013
X + .12 + .3 +	ANGLE + 1°	CHECKED BY:	DATE:
MATERIAL:		APPROVED BY:	
FINISH:		DESCRIPTION: FINAL ASSEMBLY, DISPLAY PORT PLUG (DP-TPA-P)	
SIZE	PART NUMBER:	REV	
D	600-1000-000	C	
SCALE: 15:1	DO NOT SCALE DRAWING	SHEET 3 OF 3	