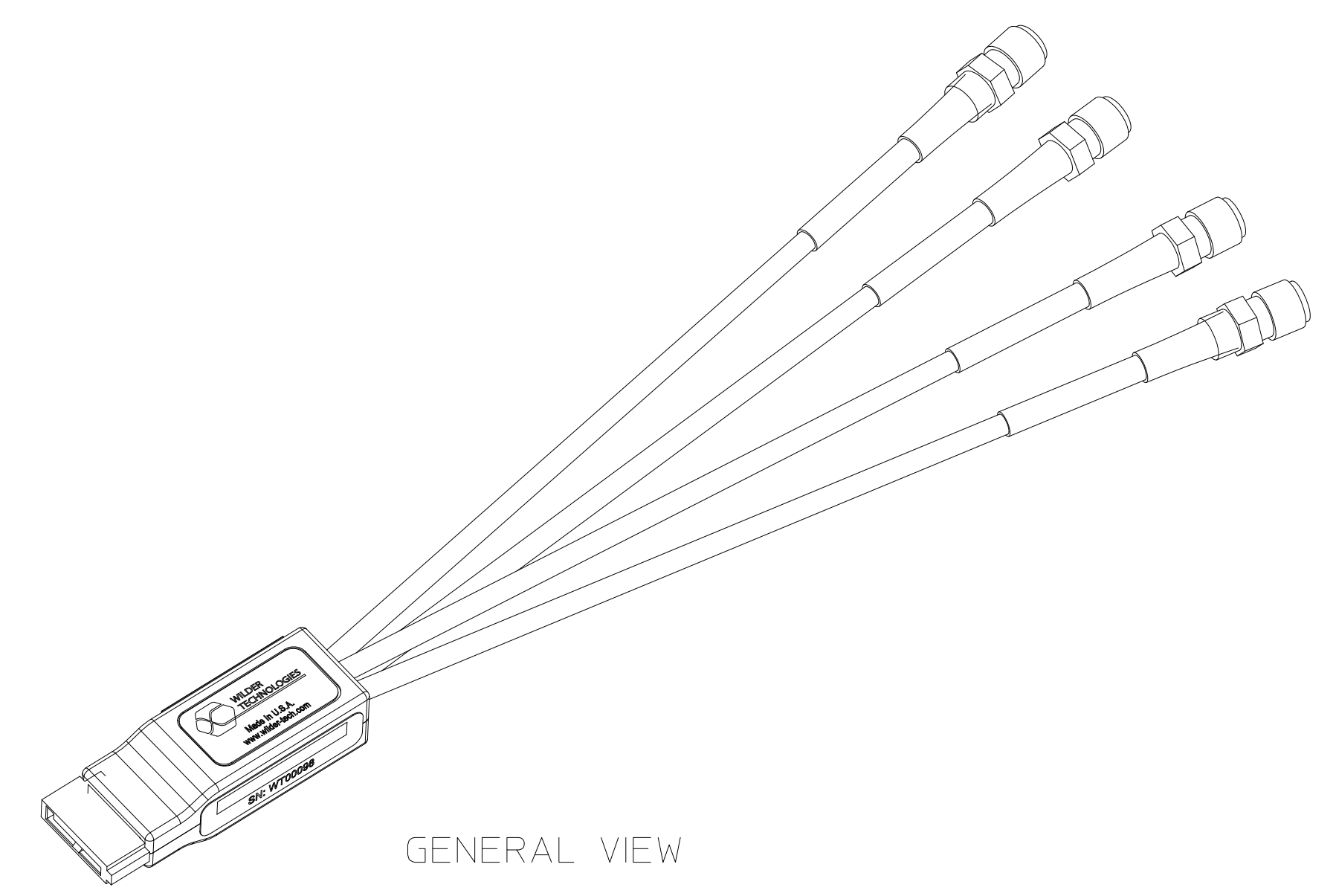
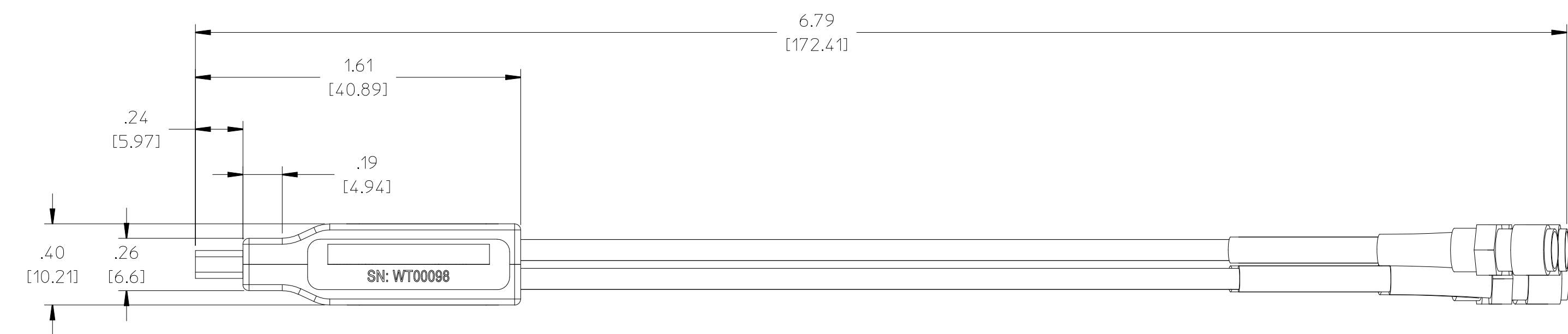
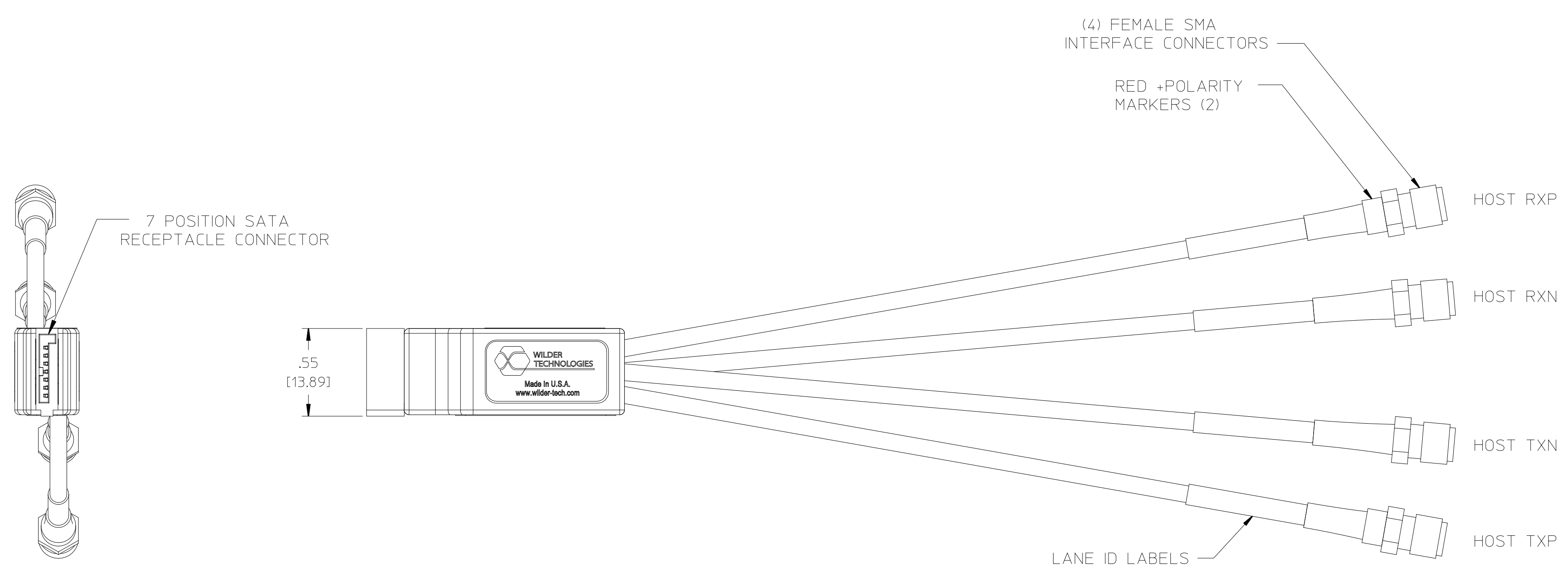


THIS DOCUMENT CONTAINS PROPRIETARY INFORMATION AND IS THE PROPERTY OF WILDER TECHNOLOGIES. THIS INFORMATION SHALL NOT BE REPRODUCED, TRANSFERRED TO OTHER DOCUMENTS, DISCLOSED TO OTHERS FOR MANUFACTURING OR ANY OTHER PURPOSE WITHOUT WRITTEN PERMISSION FROM WILDER TECHNOLOGIES.

| REVISIONS | | | | |
|-----------|---------|-----------------|-----------|----------|
| REV | AUTH | DESCRIPTION | APVD DATE | CHK DATE |
| A | ECNXXXX | INITIAL RELEASE | TD | 2/7/2012 |



- REFER TO THE USERS MANUAL FOR DETAILED MECHANICAL AND ELECTRICAL SPECIFICATIONS.
 - INTERPRET DIMENSIONS AND TOLERANCES PER ANSI Y14.5.
- NOTE: UNLESS OTHERWISE SPECIFIED

| | | | |
|---|------|--|--------------|
| UNLESS OTHERWISE SPECIFIED DIMENSIONS ARE INCHES (METRIC) | | 6101A East 18th St. Vancouver, WA 98661 Tel 360-859-3041 Fax 360-859-3105 www.wilder-tech.com | |
| .XXX | .005 | .127 | |
| .XX | .01 | .25 | |
| .X | .12 | .3 | |
| ANGLE | ° | ° | |
| DRAWN BY: T. DELUCCO | | DATE: 2/7/2012 | |
| CHECKED BY: | | DATE: | |
| APPROVED BY: | | DATE: | |
| DESCRIPTION: FINAL ASSEMBLY, uSSD RECEPTACLE, 7 POS, HOST TPA USSD-TPA-R | | | |
| FINISH: | SIZE | PART NUMBER: | REV |
| | D | 600-1014-750 | A |
| SCALE: 2:1 | | DO NOT SCALE DRAWING | SHEET 2 OF 2 |