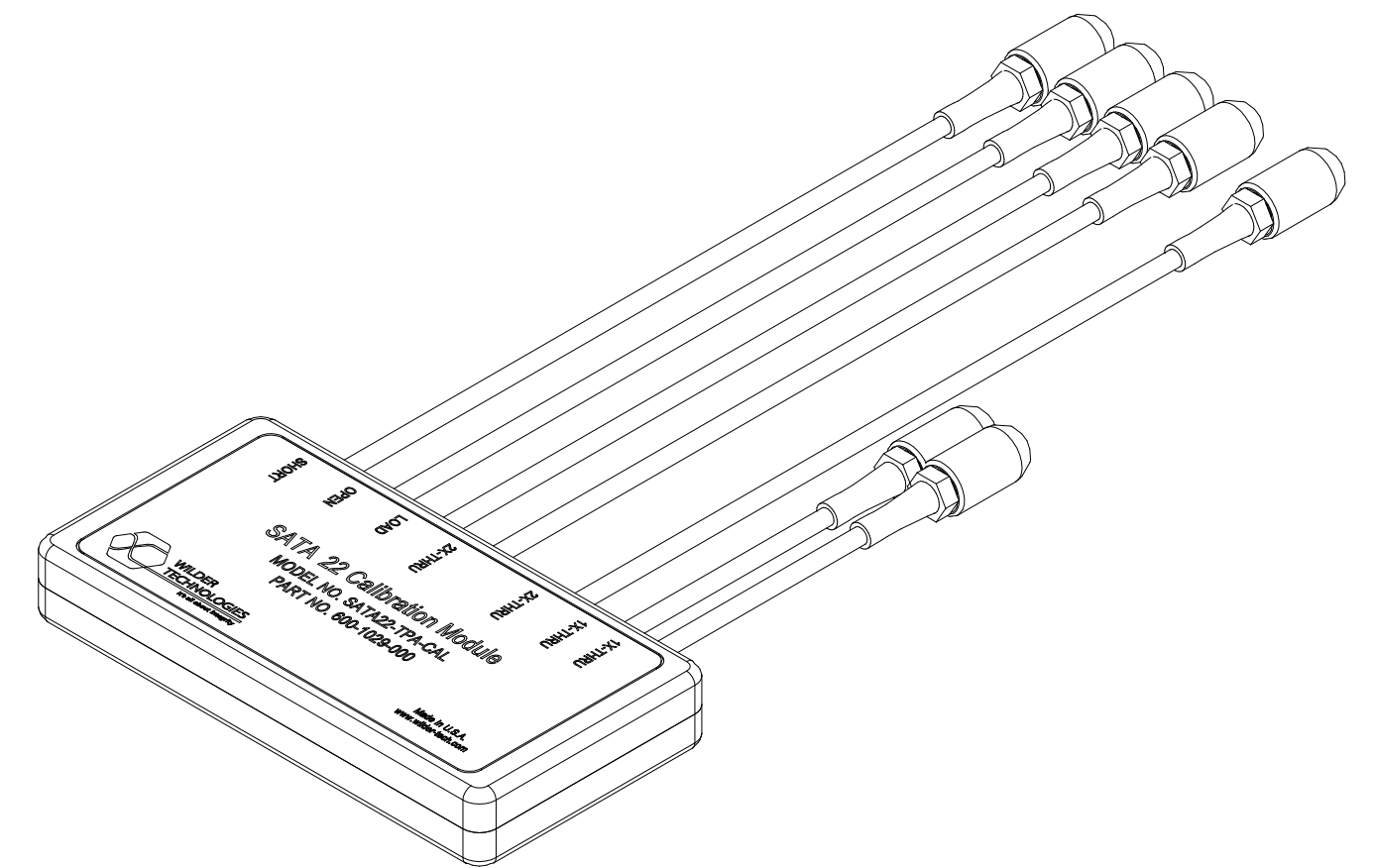
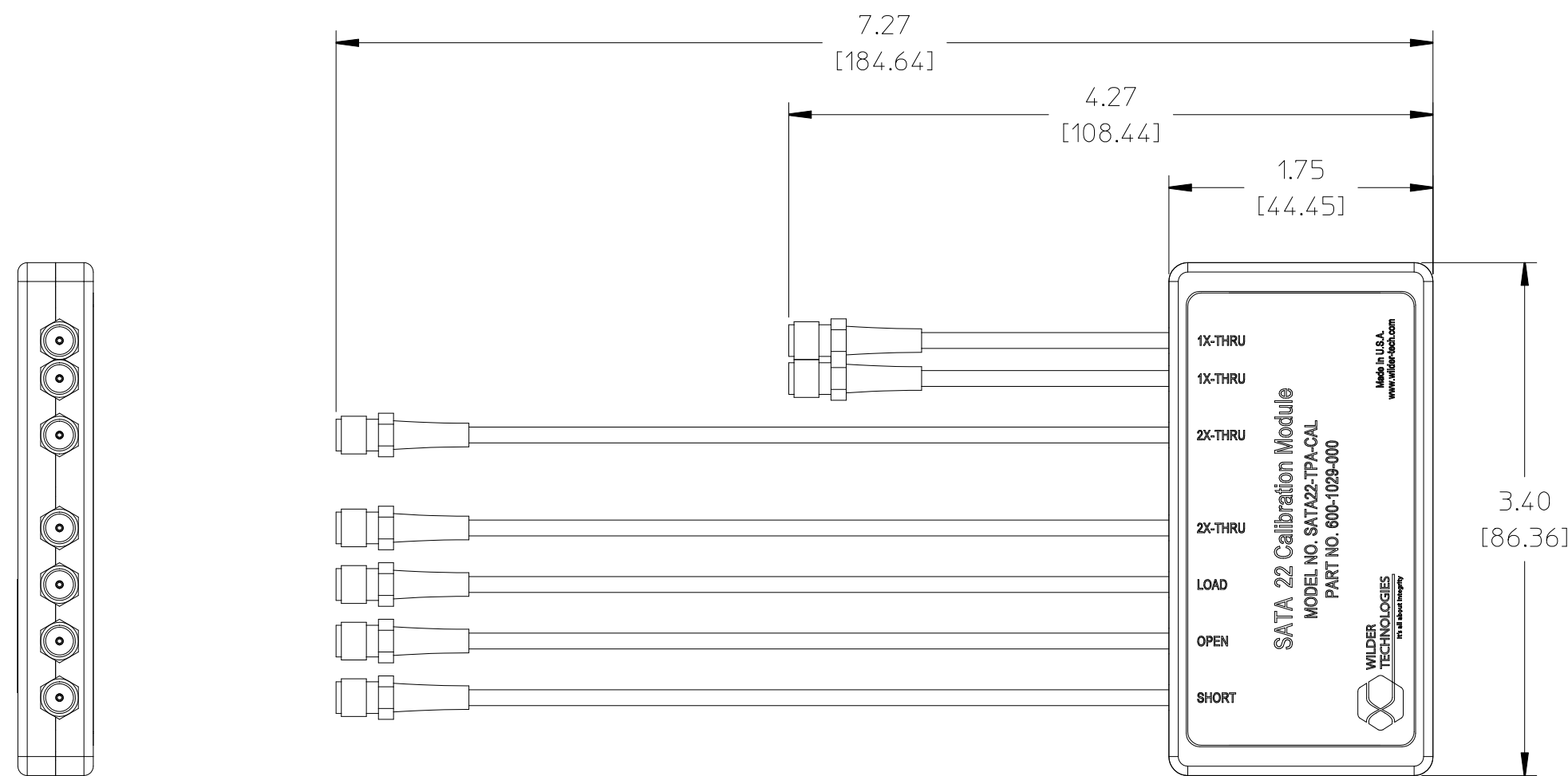
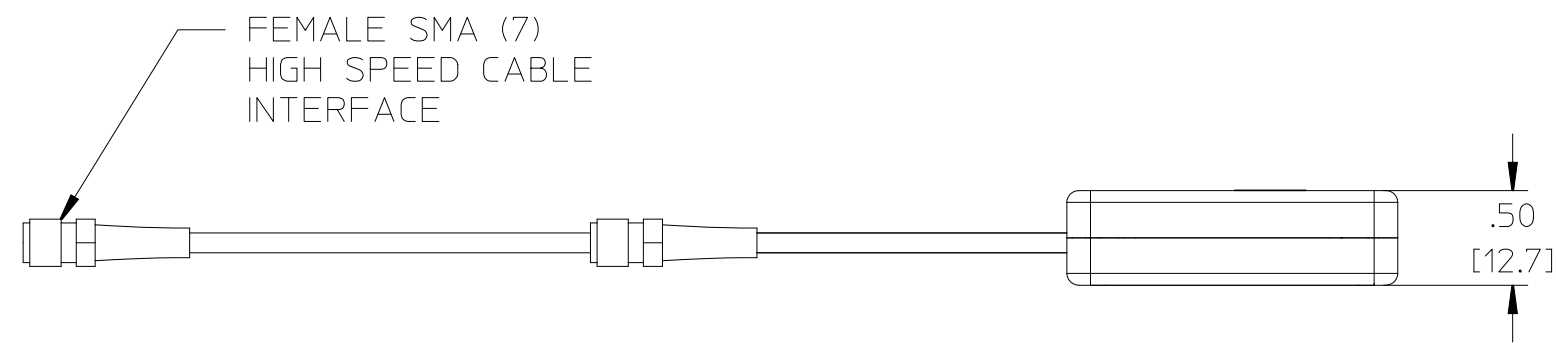


REVISIONS


REV	AUTH	DESCRIPTION	APVD DATE	CHK DATE
A	XXXX	INITIAL RELEASE	TD	9/1/2010



GENERAL VIEW

NOTE: UNLESS OTHERWISE SPECIFIED

1. REFER TO THE USERS MANUAL FOR DETAILED MECHANICAL AND ELECTRICAL SPECIFICATIONS.
2. INTERPRET DIMENSIONS AND TOLERANCES PER ANSI Y14.5.

UNLESS OTHERWISE SPECIFIED DIMENSIONS ARE INCHES [METRIC] .XXX ± .005 ± .127 ± .XX ± .01 ± .25 ± .X ± .12 ± .3 ± ANGLE ± 1° ± 1°			6101A East 18th St. Vancouver, WA 98661 Tel: 360-859-3041 Fax: 360-859-3105 www.wilder-tech.com	
	DRAWN BY: T. DELUCCO		DATE: 9/1/2010	
MATERIAL:		APPROVED BY:		DATE:
FINISH:		DESCRIPTION:		
		FINAL ASSEMBLY, SATA 22 CALIBRATION SATA22-TPA-C		
SIZE: C	PART NUMBER: 600-1029-000	REV: A		
SCALE: 1:1	DO NOT SCALE DRAWING	SHEET 2 OF 2		