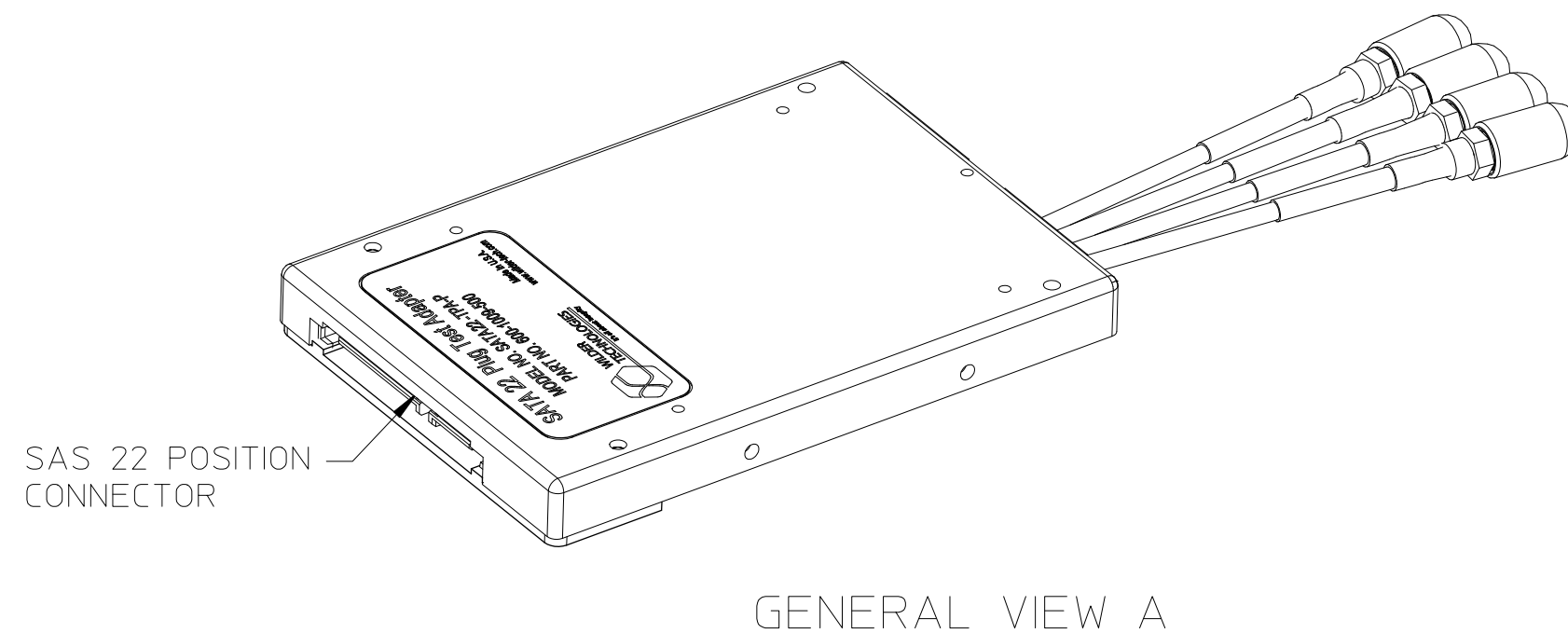
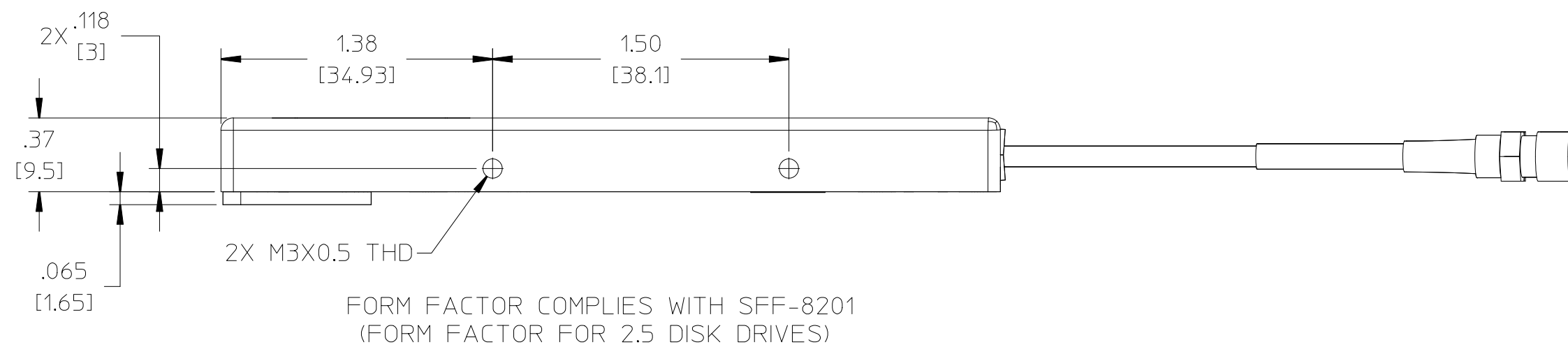
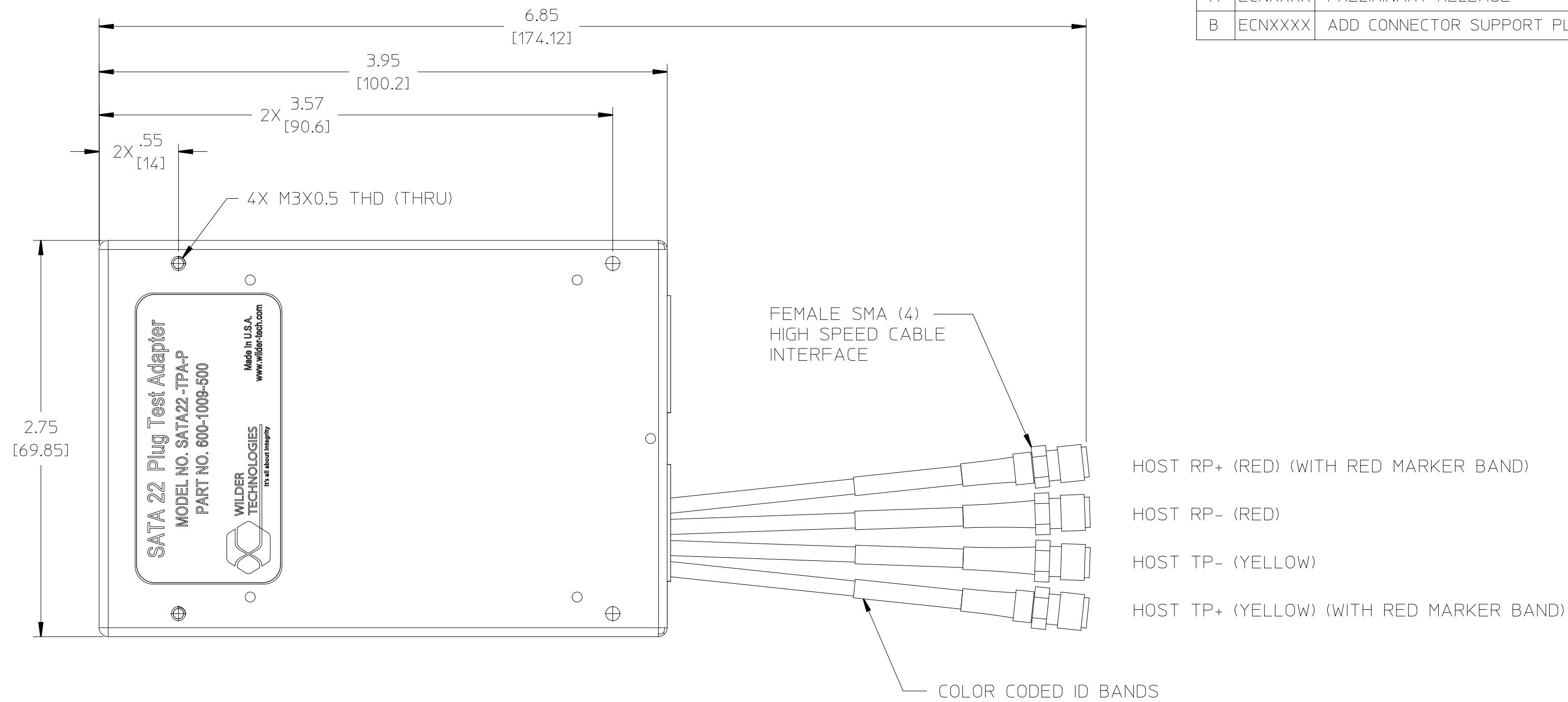


REVISIONS

REV	AUTH	DESCRIPTION	APVD DATE	CHK DATE
A	ECNXXXX	PRELIMINARY RELEASE		07/08/10
B	ECNXXXX	ADD CONNECTOR SUPPORT PLATE		09/20/13



2. REFER TO THE USERS MANUAL FOR DETAILED MECHANICAL AND ELECTRICAL SPECIFICATIONS.

1. INTERPRET DIMENSIONS AND TOLERANCES PER ANSI-Y14.5.

NOTE: UNLESS OTHERWISE SPECIFIED

UNLESS OTHERWISE SPECIFIED DIMENSIONS ARE INCHES [METRIC]		WILDER TECHNOLOGIES <small>It's all about integrity</small>		6101A East 18th St. Vancouver, WA 98661 Tel: 360-859-3041 Fax: 360-859-3105 www.wilder-tech.com	
.XXX ± .005 ± .127 ±	.XX ± .01 ± .25 ±	.X ± .12 ± .3 ±	ANGLE ± 1° ± 1°	DRAWN BY: W. STANLEY	DATE: 07/08/10
MATERIAL:		APPROVED BY:		CHECKED BY:	DATE:
FINISH:		SIZE		DESCRIPTION:	
		C		FINAL ASSEMBLY, SATA 22 POSITION PLUG TEST ADAPTER SATA22-TPA-P	
		PART NUMBER:		REV	
		600-1009-500_W		B	
SCALE: 1.5:1		DO NOT SCALE DRAWING		SHEET 1 OF 1	