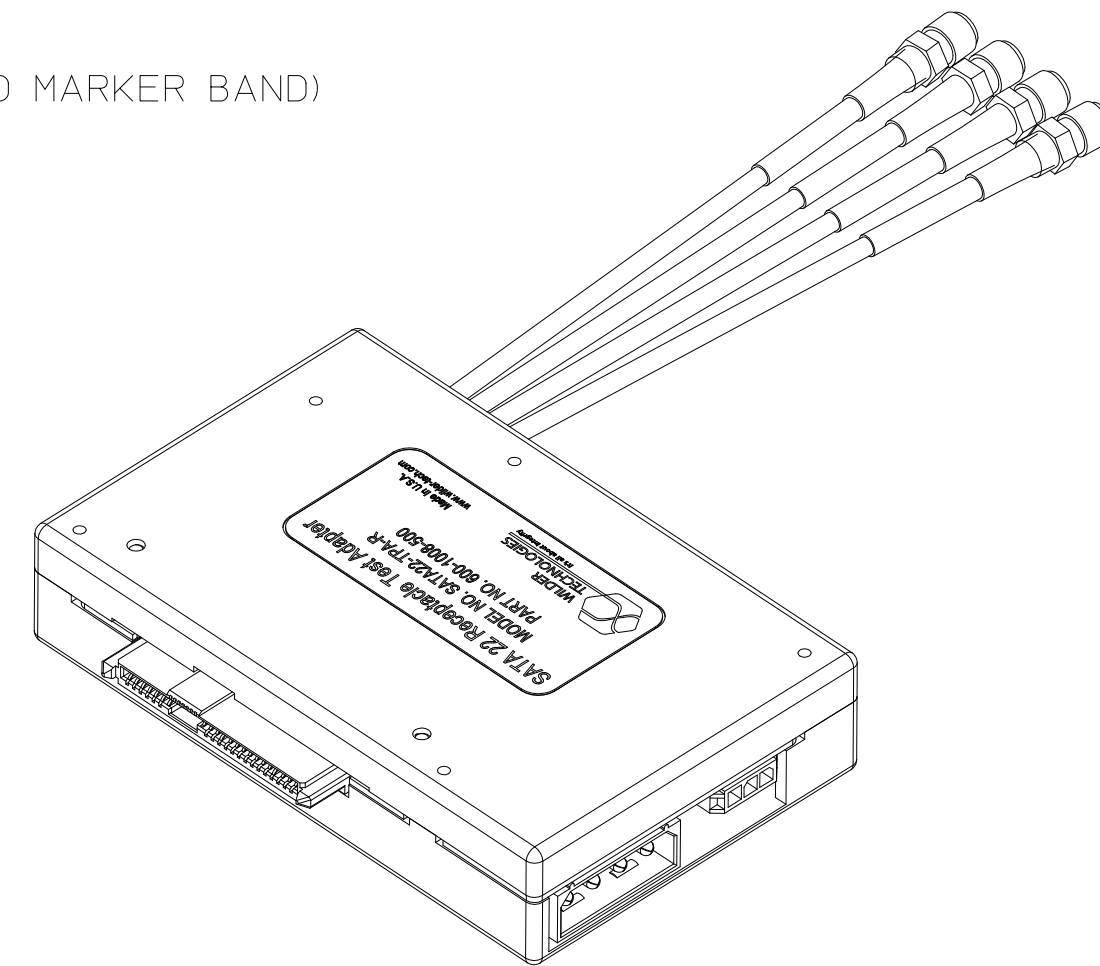
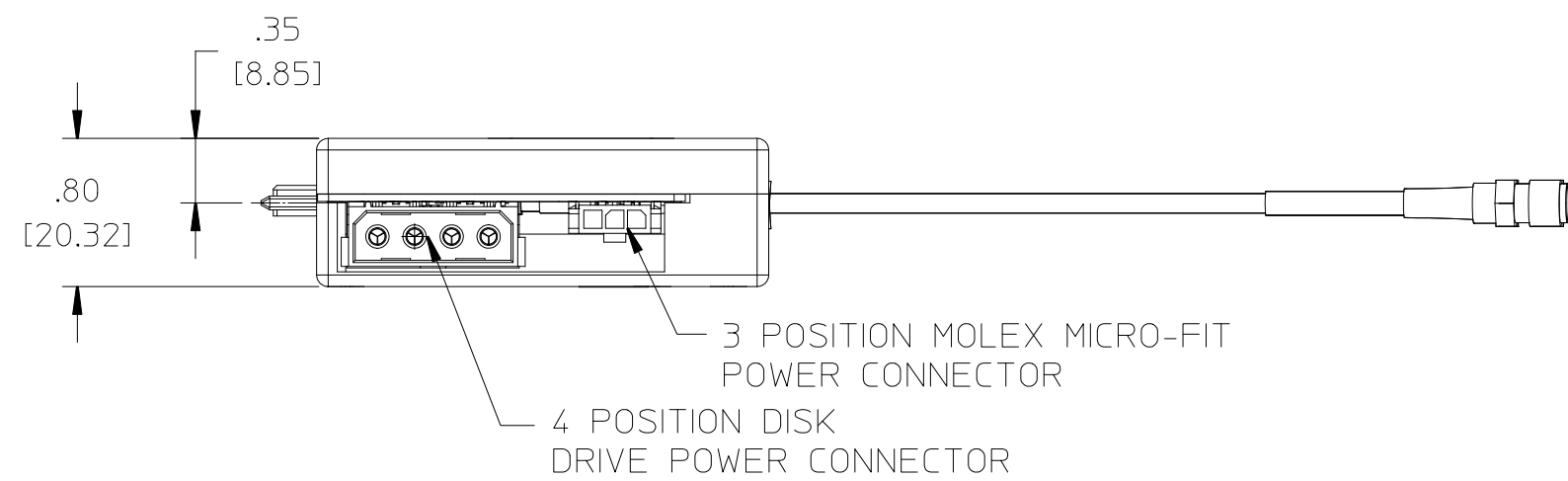
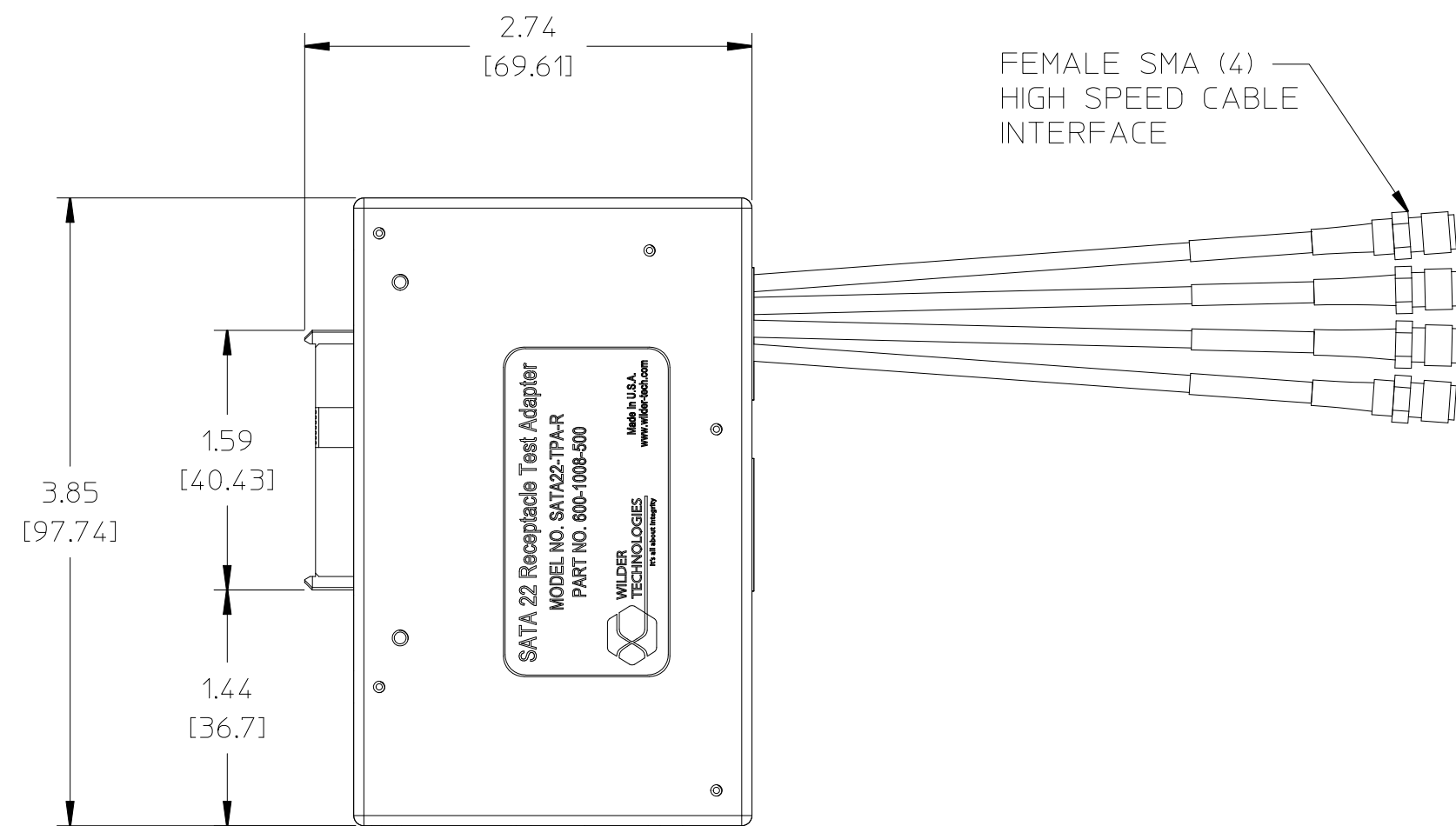
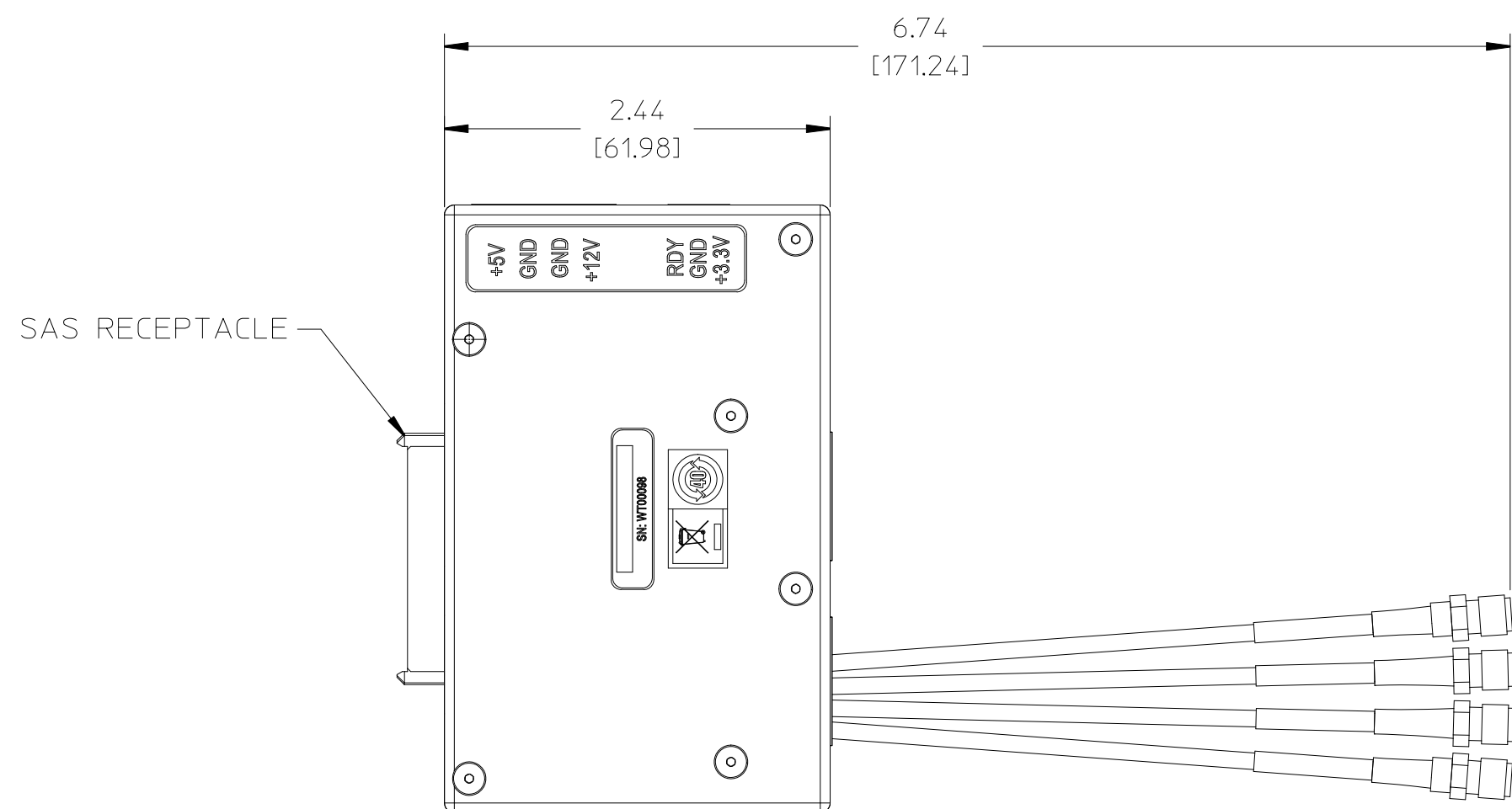


REVISIONS

REV	AUTH	DESCRIPTION	APVD DATE	CHK DATE
A	ECNXXXX	PRELIMINARY RELEASE		8/26/10



GENERAL VIEW A



- REFER TO THE USERS MANUAL FOR DETAILED MECHANICAL AND ELECTRICAL SPECIFICATIONS.
- 3 POSITION MICROFIT RECEPTACLE HOUSING AND CONTACT PINS ARE SUPPLIED SEPARATELY WITH THIS ASSEMBLY.
- INTERPRET DIMENSIONS AND TOLERANCES PER ANSI-Y14.5.

NOTE: UNLESS OTHERWISE SPECIFIED

UNLESS OTHERWISE SPECIFIED DIMENSIONS ARE INCHES [METRIC]		6101A East 18th St. Vancouver, WA 98661 Tel: 360-859-3041 Fax: 360-859-3105 www.wilder-tech.com	
.XXX ± .005 ± .127 ±	.XX ± .01 ± .25 ±	DRAWN BY: W. STANLEY DATE: 8/26/10	
.X ± .12 ± .3 ±	ANGLE ± 1° ± 1°	CHECKED BY: DATE:	
MATERIAL:		APPROVED BY: DATE:	
FINISH:		DESCRIPTION: FINAL ASSEMBLY, SATA 22 RECEPTACLE SATA22-TPA-R	
SIZE: C	PART NUMBER: 600-1008-500	REV: A	
SCALE: 1:1		DO NOT SCALE DRAWING SHEET 2 OF 2	