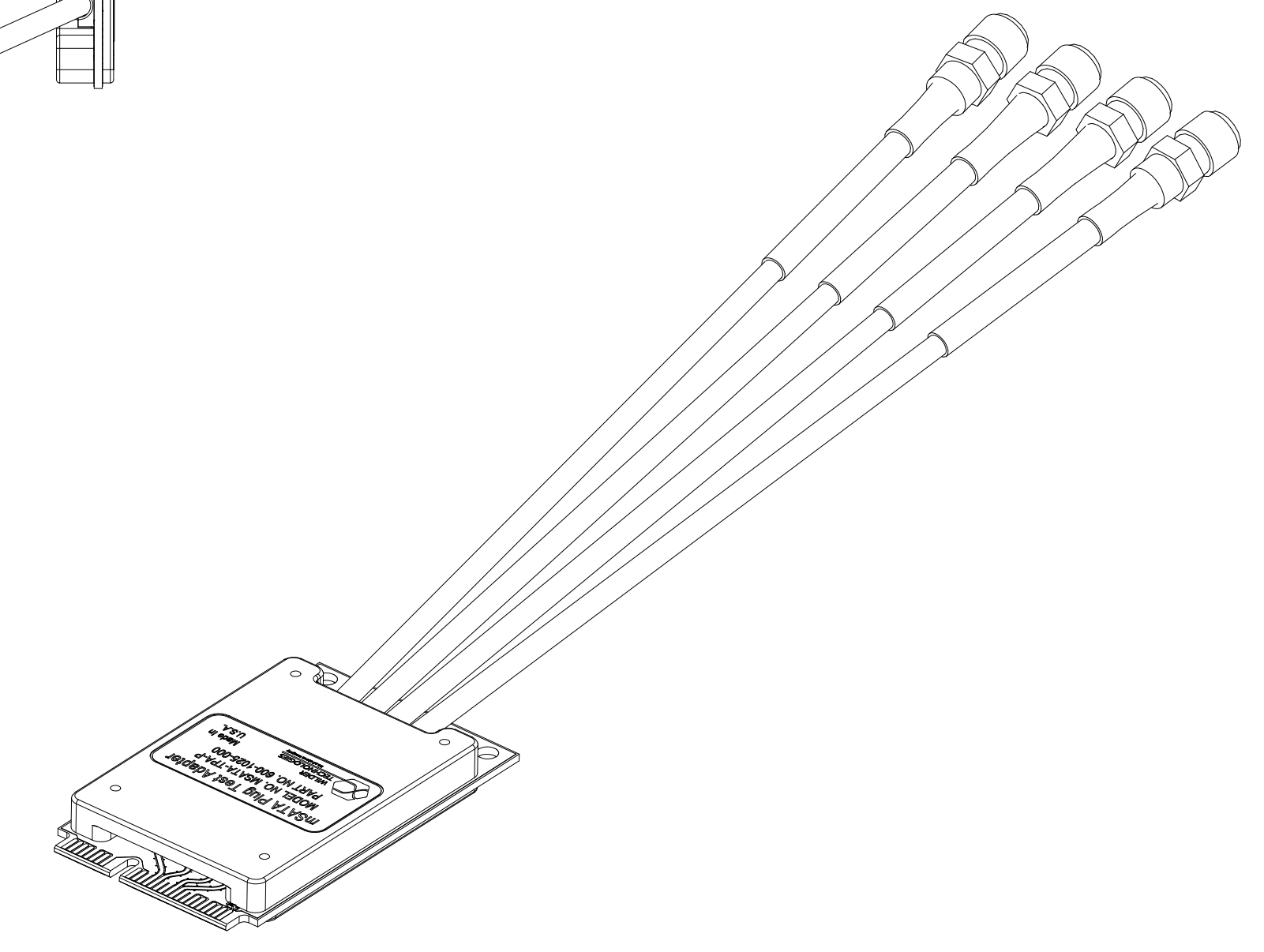
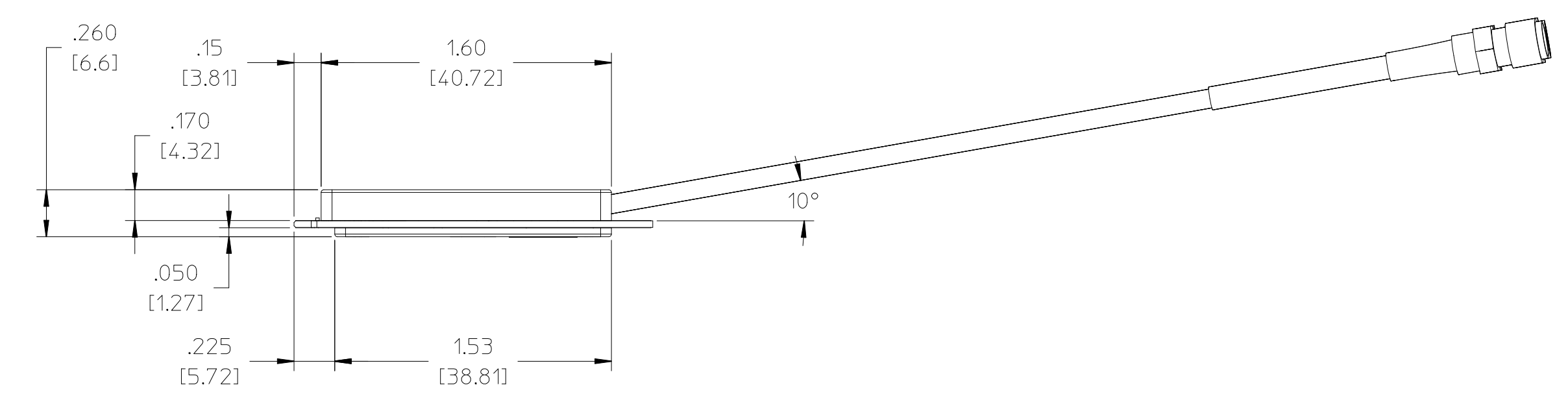
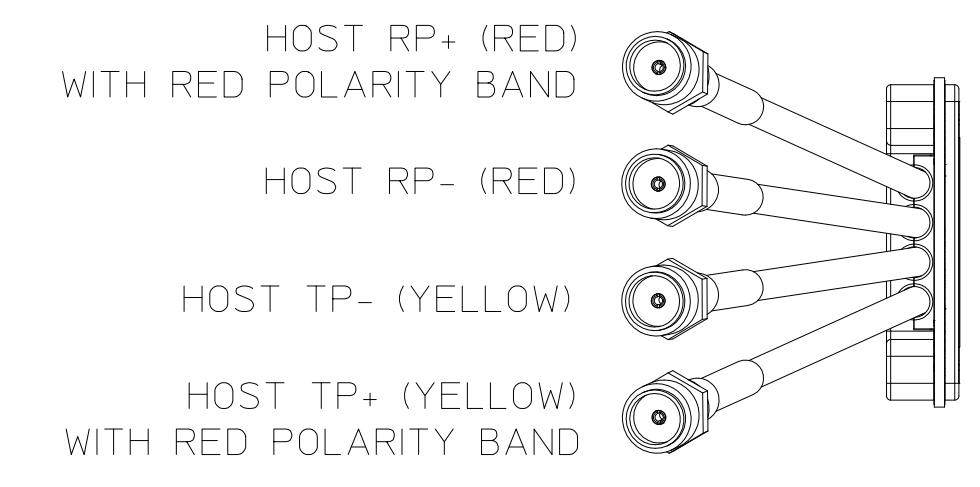
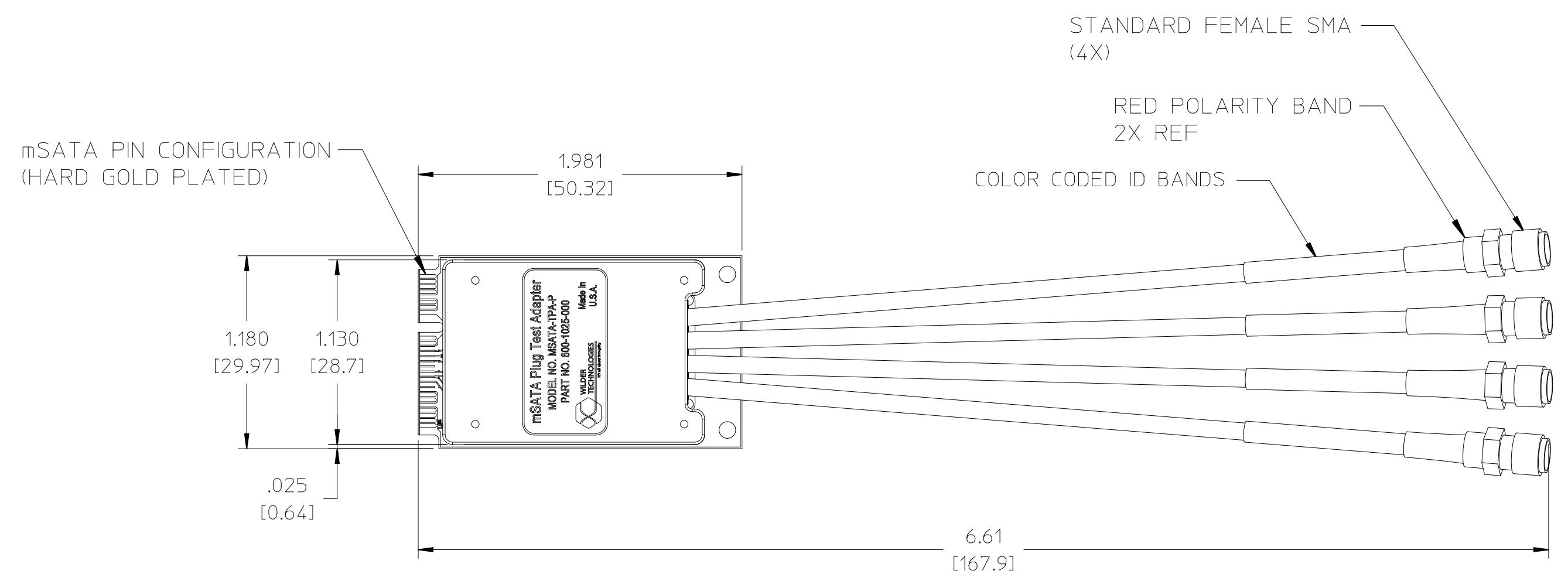


THIS DOCUMENT CONTAINS PROPRIETARY INFORMATION AND IS THE PROPERTY OF WILDER TECHNOLOGIES. THIS INFORMATION SHALL NOT BE REPRODUCED, TRANSFERRED TO OTHER DOCUMENTS, DISCLOSED TO OTHERS FOR MANUFACTURING OR ANY OTHER PURPOSE WITHOUT WRITTEN PERMISSION FROM WILDER TECHNOLOGIES.

REVISIONS				
REV	AUTH	DESCRIPTION	APVD DATE	CHK DATE
A	XXXX	INITIAL RELEASE	TD	8/5/2010



- REFER TO USERS MANUAL FOR DETAILED MECHANICAL AND ELECTRICAL SPECIFICATIONS.
 - INTERPRET DIMENSIONS AND TOLERANCES PER ANSI Y14.5.
- NOTE: UNLESS OTHERWISE SPECIFIED

UNLESS OTHERWISE SPECIFIED DIMENSIONS ARE INCHES (METRIC)		6101A East 18th St. Vancouver, WA 98661 Tel: 360-859-3041 Fax: 360-859-3105 www.wilder-tech.com	
.XXX ± .005 ± .027 ±	.XX ± .01 ± .05 ±	DRAWN BY: T. DELUCCO DATE: 8/5/2010	
.X ± .02 ± .3 ±	ANGLE ± 1° ± 1°	CHECKED BY: DATE:	
MATERIAL:		APPROVED BY: DATE:	
FINISH:		DESCRIPTION: CUSTOMER REFERENCE DRAWING mSATA PLUG MSATA-TPA-P	
SIZE: D	PART NUMBER: 600-1025-000	SCALE: 1:1	REV: A
DO NOT SCALE DRAWING		SHEET 3 OF 3	