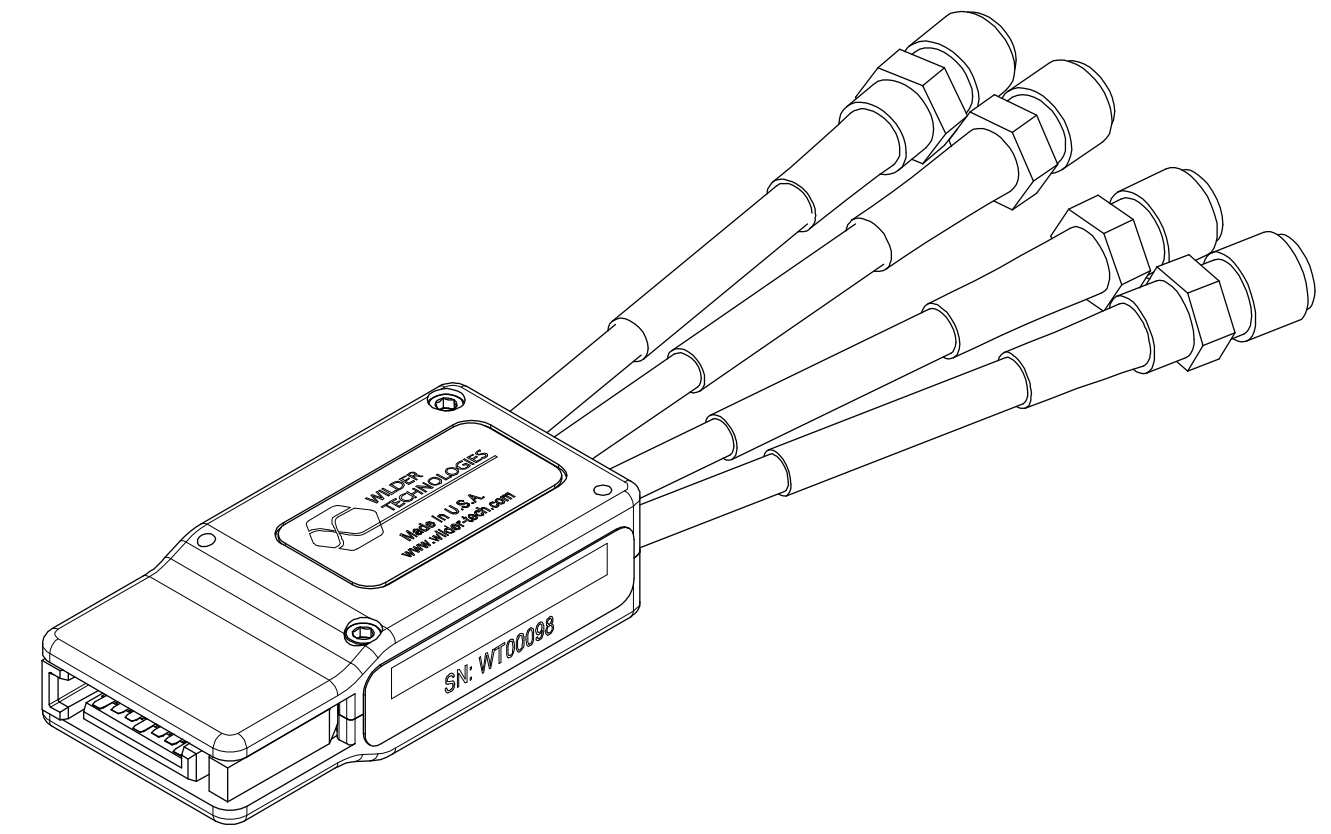
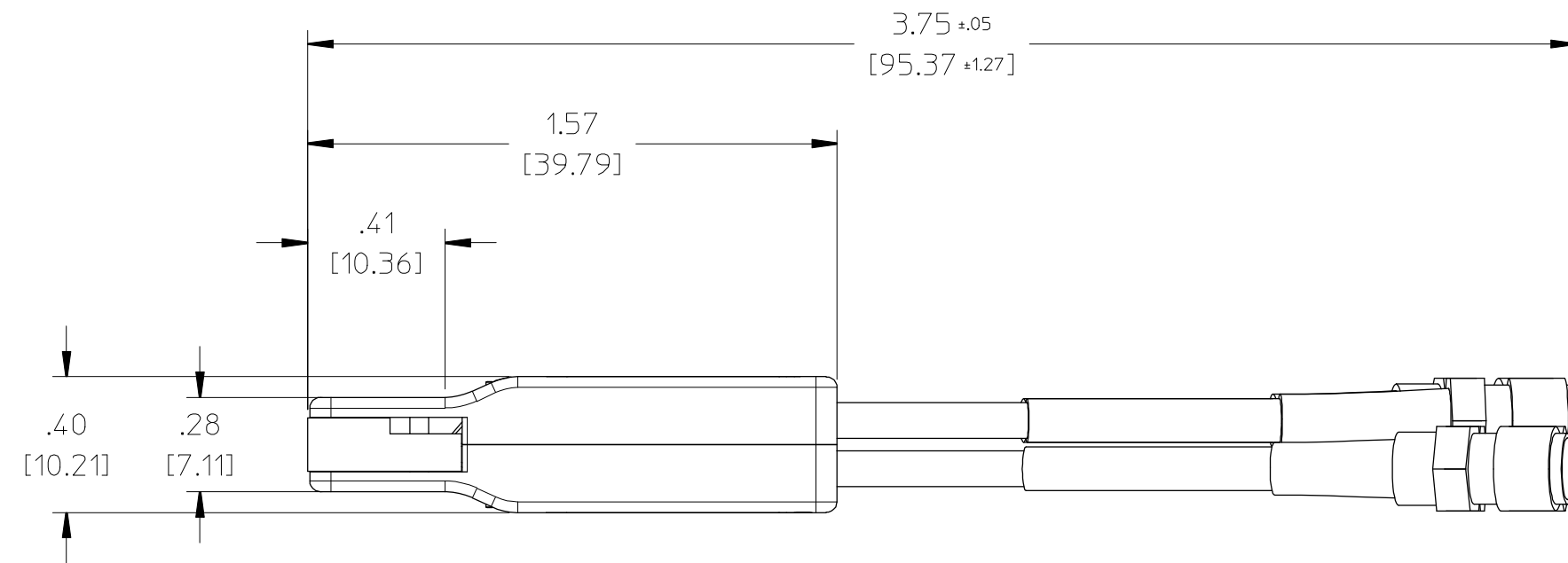
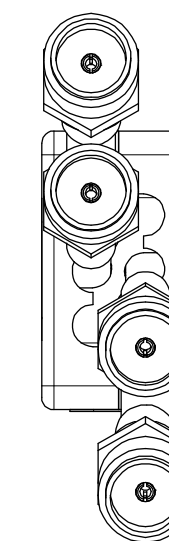
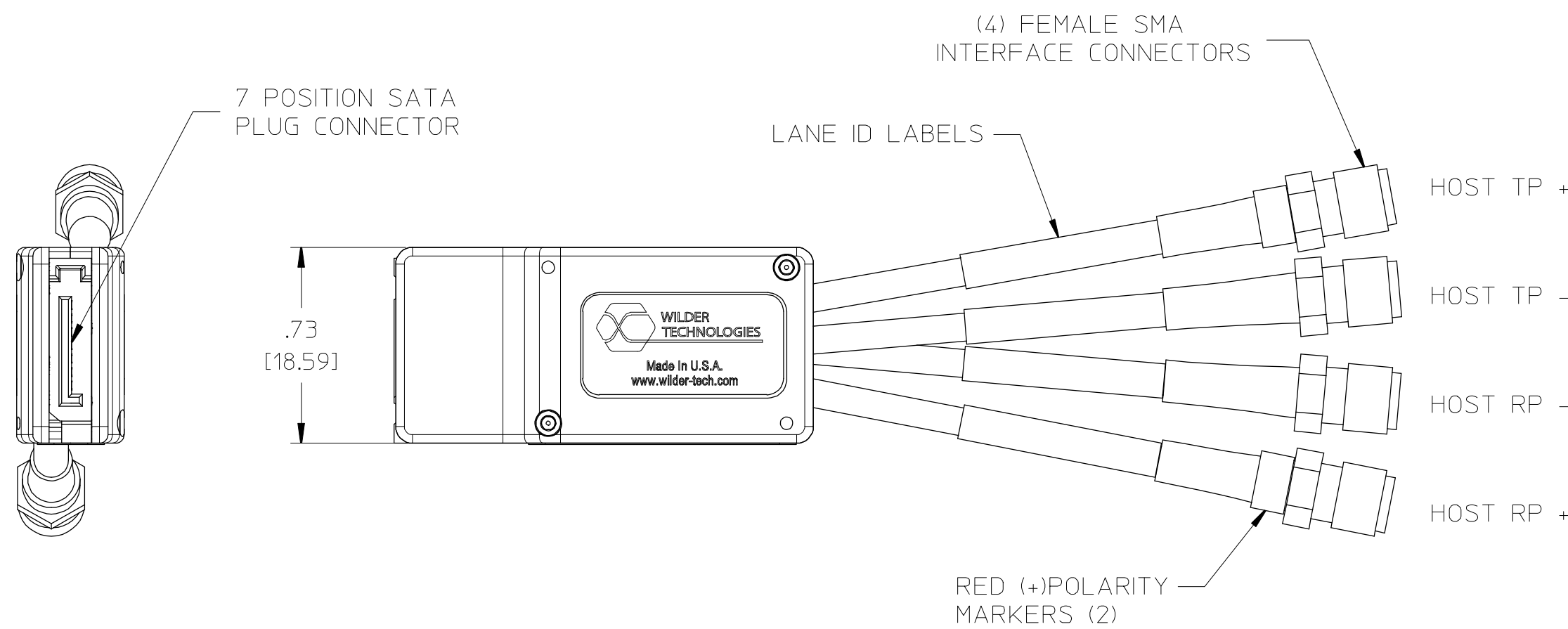


REVISIONS				
REV	AUTH	DESCRIPTION	APVD DATE	CHK DATE
A	ECNXXXX	PRELIMINARY RELEASE		01-05-10



GENERAL VIEW



2. REFER TO USER MANUAL FOR DETAILED MECHANICAL AND ELECTRICAL SPECIFICATIONS.

1. INTERPRET DIMENSIONS AND TOLERANCES PER ANSI Y14.5.

NOTE: UNLESS OTHERWISE SPECIFIED

UNLESS OTHERWISE SPECIFIED DIMENSIONS ARE INCHES (METRIC) .XXX ± .005 ± .127 ± .XX ± .01 ± .25 ± .X ± .12 ± .3 ± ANGLE ± 1° ± 1°	6101A East 18th St. Vancouver, WA 98661 Tel: 360-859-3041 Fax: 360-859-3105 www.wilder-tech.com	
	DRAWN BY: W. STANLEY	DATE: 01-05-10
MATERIAL:	CHECKED BY:	DATE:
APPROVED BY:	DATE:	
DESCRIPTION: FINAL ASSEMBLY, SATA PLUG, 7 POSITION		
FINISH:	SIZE PART NUMBER: C 600-1013-000	REV A
SCALE: 2:1	DO NOT SCALE DRAWING	SHEET 1 OF 1