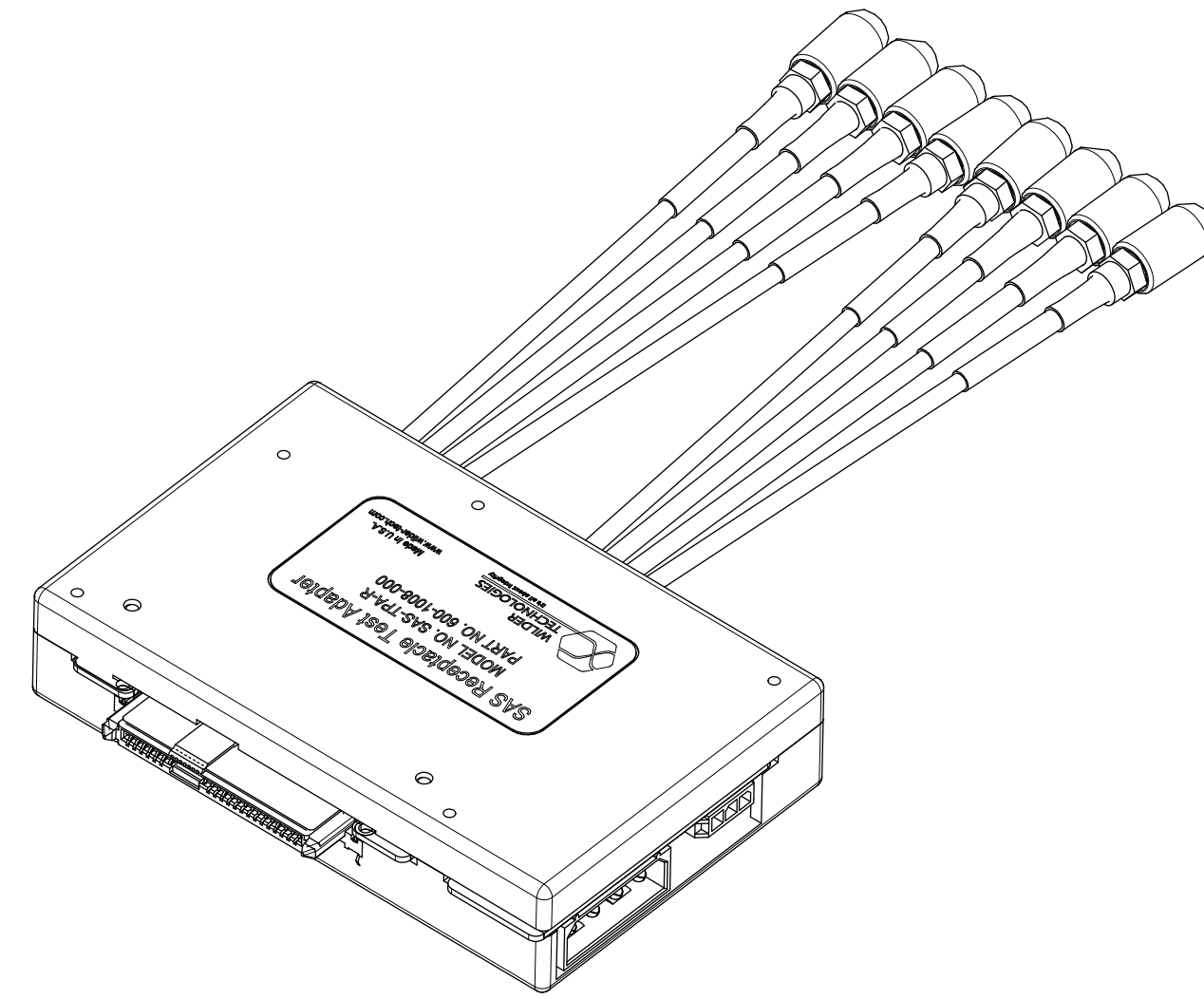
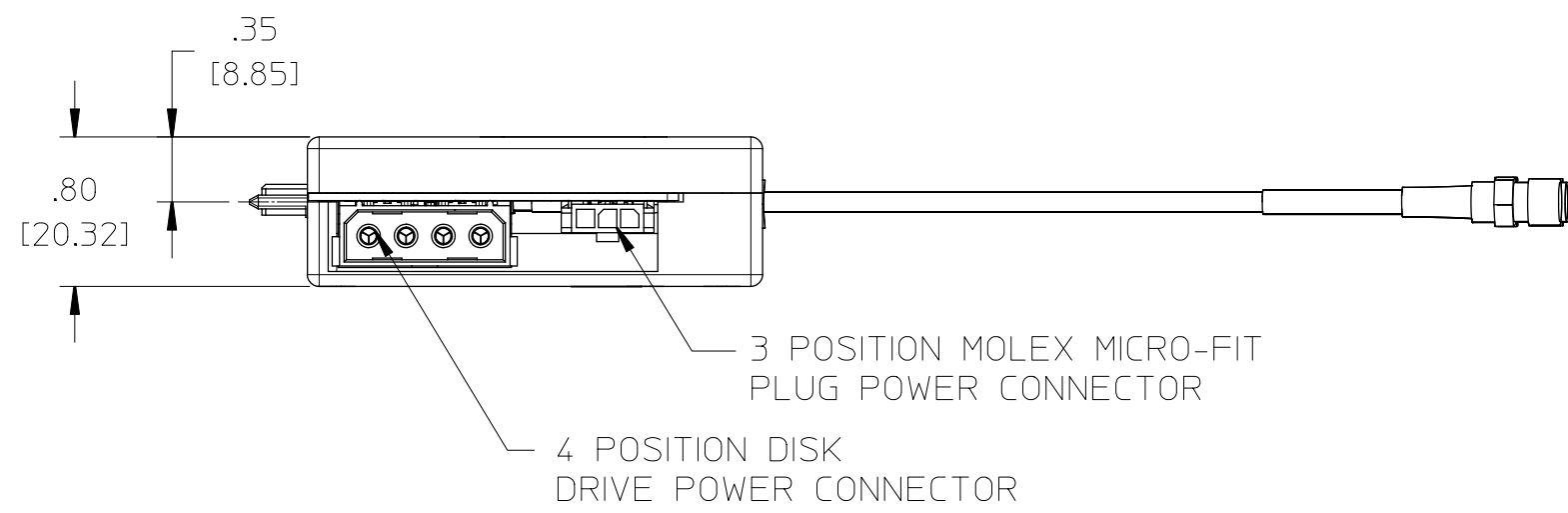
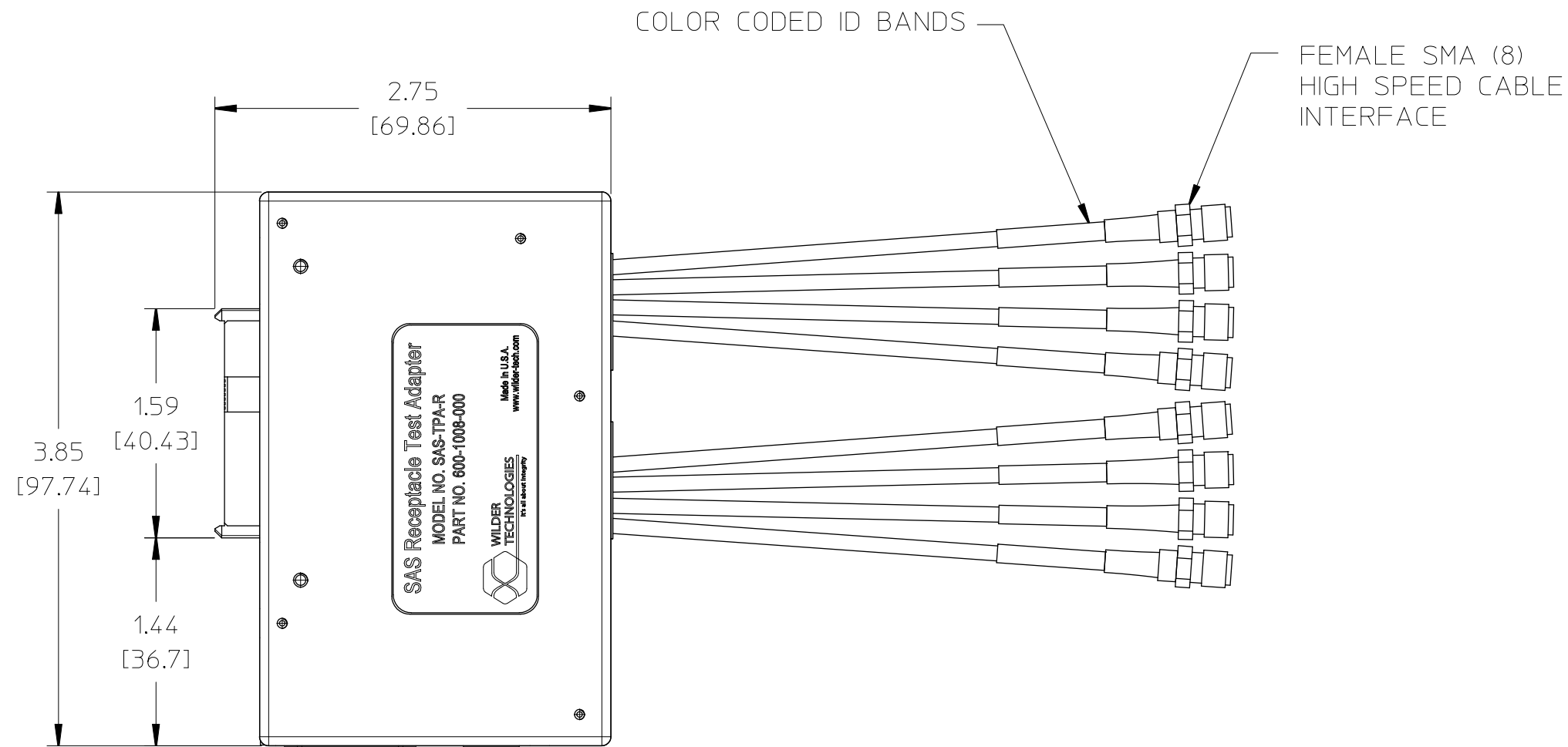


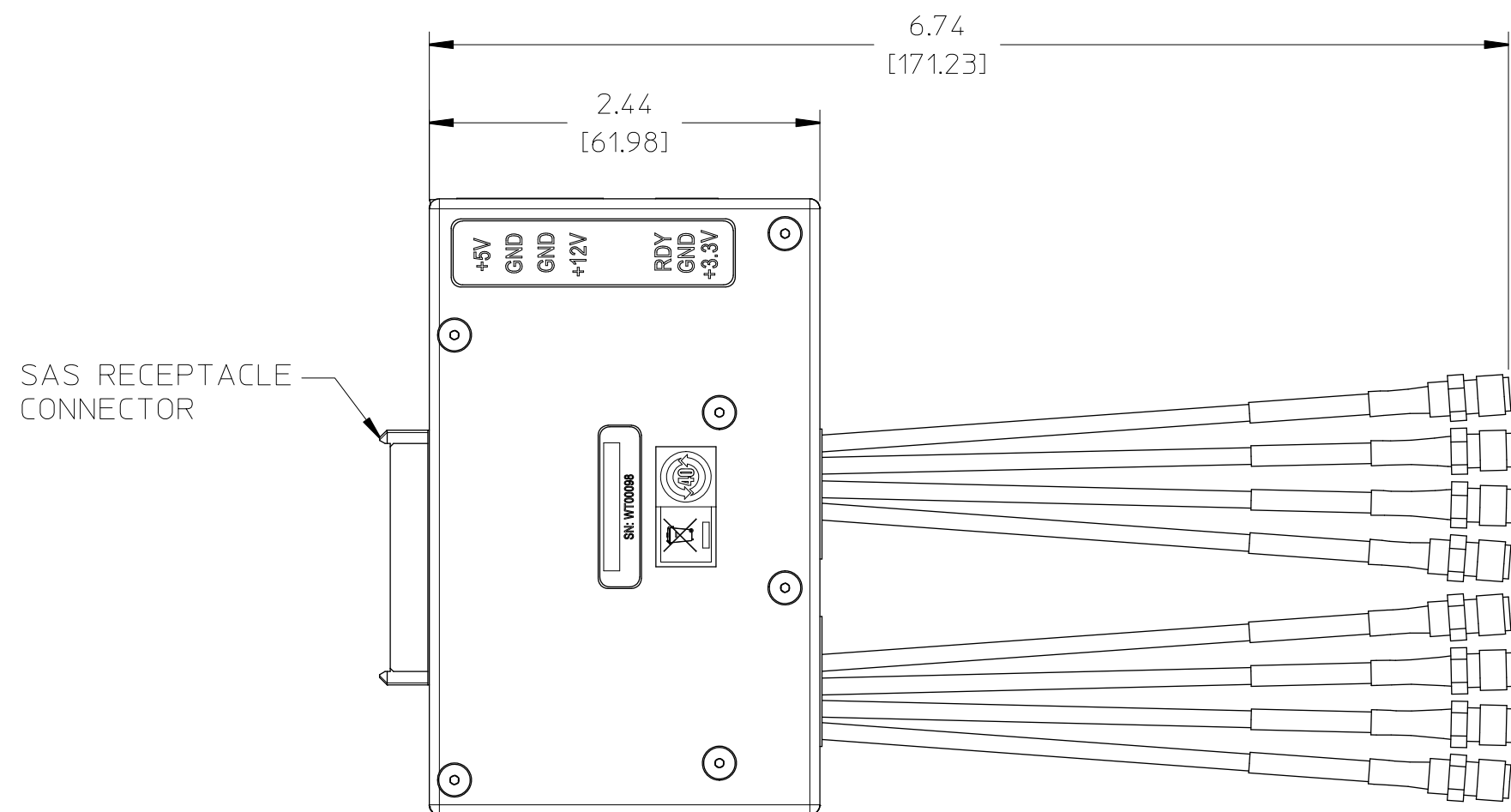
THIS DOCUMENT CONTAINS PROPRIETARY INFORMATION AND IS THE PROPERTY OF WILDER TECHNOLOGIES. THIS INFORMATION SHALL NOT BE REPRODUCED, TRANSFERRED TO OTHER DOCUMENTS, DISCLOSED TO OTHERS FOR MANUFACTURING OR ANY OTHER PURPOSE WITHOUT WRITTEN PERMISSION FROM WILDER TECHNOLOGIES.

REVISIONS

REV	AUTH	DESCRIPTION	APVD DATE	CHK DATE
A	ECNXXXX	PRELIMINARY RELEASE		10/14/09
B	ECNXXXX	BILL OF MATERIALS CHANGE		10/22/09



GENERAL VIEW A



- DRIVE TS+ (WHITE) (WITH RED MARKER BAND)
- DRIVE TS- (WHITE)
- DRIVE RS- (GREEN)
- DRIVE RS+ (GREEN) (WITH RED MARKER BAND)
- DRIVE TP+ (RED) (WITH RED MARKER BAND)
- DRIVE TP- (RED)
- DRIVE RP- (YELLOW)
- DRIVE RP+ (YELLOW) (WITH RED MARKER BAND)

3. REFER TO THE USERS MANUAL FOR DETAILED MECHANICAL AND ELECTRICAL SPECIFICATIONS.
2. 3 POS MICROFIT RECPT HOUSING AND CONTACT PINS ARE SUPPLIED SEPARATELY WITH THIS ASSEMBLY.
1. INTERPRET DIMENSIONS AND TOLERANCES PER ANSI-Y14.5.

NOTE: UNLESS OTHERWISE SPECIFIED

UNLESS OTHERWISE SPECIFIED DIMENSIONS ARE INCHES (METRIC)		<b>WILDER TECHNOLOGIES</b> <small>It's all about integrity</small>		6101A East 18th St. Vancouver, WA 98661 Tel: 360-859-3041 Fax: 360-859-3105 www.wilder-tech.com	
.XXX ± .005 ± .127 ±	.XX ± .01 ± .25 ±	.X ± .12 ± .3 ±	ANGLE ± 1°	1°	
DRAWN BY: W. STANLEY		DATE: 10/5/09		CHECKED BY:	
APPROVED BY:		DATE:		DESCRIPTION:	
MATERIAL:		FINAL ASSEMBLY, SAS RECEPTACLE SAS-TPA-R			
FINISH:		SIZE: <b>C</b>	PART NUMBER: 600-1008-000_W	REV: <b>B</b>	
SCALE: 1:1		DO NOT SCALE DRAWING		SHEET 1 OF 1	